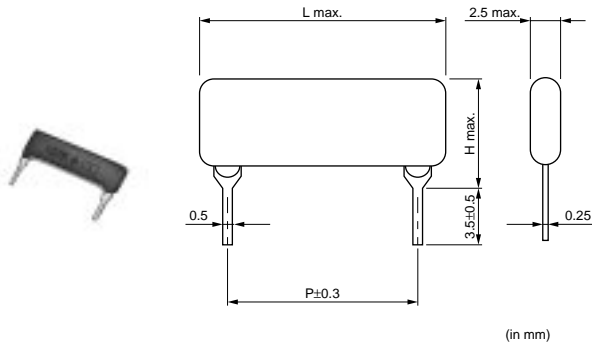


High Voltage Resistors

● MHR_SA Series



Part Number	Resistance Range (M ohm)	Rated Voltage (Single Use) (kV)	Rated Voltage (Molded Use) (kV)	Rated Power (W)	P (mm)	L (mm)	H (mm)
MHR0307SA□□□□	1 to 500	2	-	0.3	5.08	7.6	5.0
MHR0309SA□□□□	1 to 500	3.5	-	0.5	7.62	10.1	5.0
MHR0312SA□□□□	1 to 600	5	-	0.6	10.16	12.6	5.0
MHR0314SA□□□□	1 to 1000	6	-	0.7	12.70	15.1	5.0
MHR0317SA□□□□	1 to 1000	7	-	0.8	15.24	17.6	5.0
MHR0409SA□□□□	1 to 1000	3.5	10	0.6	7.62	10.1	6.5
MHR0412SA□□□□	1 to 1000	5	10	0.8	10.16	12.6	6.5
MHR0414SA□□□□	1 to 1000	6	10	1.0	12.70	15.1	6.5
MHR0417SA□□□□	1 to 1000	7	12	1.1	15.24	17.6	6.5
MHR0419SA□□□□	1 to 1000	8	14	1.2	17.78	20.2	6.5
MHR0422SA□□□□	1 to 1000	9	16	1.3	20.32	22.7	6.5
MHR0609SA□□□□	1 to 1000	3.5	10	0.8	7.62	10.1	9.0
MHR0612SA□□□□	1 to 1000	5	10	1.0	10.16	12.6	9.0
MHR0614SA□□□□	1 to 1000	6	12	1.2	12.70	15.1	9.0
MHR0617SA□□□□	1 to 1000	7	14	1.3	15.24	17.6	9.0
MHR0619SA□□□□	1 to 1000	8	16	1.4	17.78	20.2	9.0
MHR0622SA□□□□	1 to 1000	9	18	1.5	20.32	22.7	9.0

For resistance value and ratio of B circuit, please contact us.