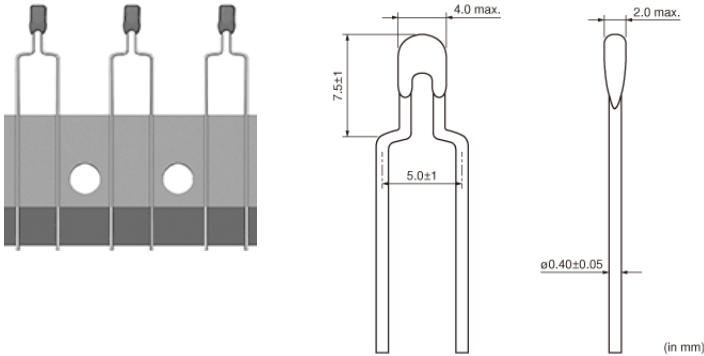


NXRT15XM202EA3A016

In Production Recommended RoHS REACH

Appearance & Shape



Features

1. High accuracy and high sensibility temperature sensing is available by the high accuracy NTC Thermistor.
2. This product is compatible with 1005 (1.0mm * 0.5mm) size NTC Thermistor.
3. The variation per hour of this product is stable few.
4. This product is produced with the automation line which was consistent from a lead to packing so that the product of uniform quality may be obtained at low cost in large quantities.
5. Since this product has strong lead intensity with original lead mounting technique, it is bent at the time of use and can perform processing etc. freely. Moreover, taping supply can also respond.

Applications

Limited Usage	Consumer Grade
Other Usage	<ol style="list-style-type: none"> 1. For temperature detection of a rechargeable battery pack 2. For temperature detection of a charge circuit 3. For temperature detection of a printer head 4. For temperature detection of DC fan motor 5. For temperature detection of home electronics

Packaging Information

Packaging	Specifications	Minimum Order Quantity
A016	Ammo Pack	2500

Attention

1. This datasheet is downloaded from the website of Murata Manufacturing Co., Ltd. Therefore, its specifications are subject to change or our products in it may be discontinued without advance notice. Please check with our sales representatives or product engineers before ordering.
2. This datasheet has only typical specifications because there is no space for detailed specifications. Therefore, please review our product specifications or consult the approval sheet for product specifications before ordering.

NXRT15XM202EA3A016



Specifications

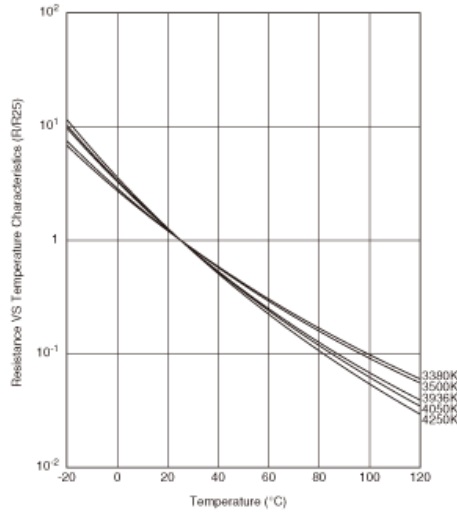
Resistance (25°C)	2kΩ
Resistance Value Tolerance (at 25°C)	±3%
B-Constant (25/50°C)	3500K
B-Constant (25/50°C) Tolerance	±1%
B-Constant(25/80°C)(Reference Value)	3539K
B-Constant(25/85°C)(Reference Value)	3545K
B-Constant(25/100°C)(Reference Value)	3560K
Operating Current for Sensor(25°C)	0.27mA
Rated Electric Power (25°C)	7.5mW
Typical Dissipation Constant (25°C)	1.5mW/°C
Thermal Time Constant	4s
Operating Temperature Range	-40°C to 125°C
Lead Shape	Lead Wire type
Shape	Lead
Mass	0.09g

Attention

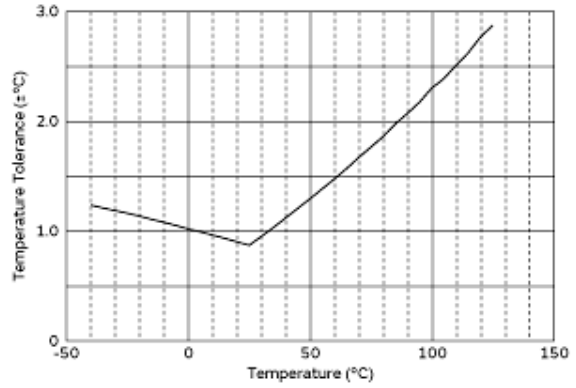
- 1.This datasheet is downloaded from the website of Murata Manufacturing Co., Ltd. Therefore, it's specifications are subject to change or our products in it may be discontinued without advance notice. Please check with our sales representatives or product engineers before ordering.
- 2.This datasheet has only typical specifications because there is no space for detailed specifications.
Therefore, please review our product specifications or consult the approval sheet for product specifications before ordering.

NXRT15XM202EA3A016

Product Data



Temperature Tolerance-Temperature Characteristics



Temperature Tolerance VS. Temp.

Attention

1.This datasheet is downloaded from the website of Murata Manufacturing Co., Ltd. Therefore, it's specifications are subject to change or our products in it may be discontinued without advance notice. Please check with our sales representatives or product engineers before ordering.
2.This datasheet has only typical specifications because there is no space for detailed specifications.
Therefore, please review our product specifications or consult the approval sheet for product specifications before ordering.