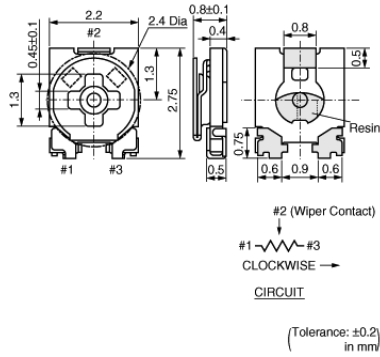


PVA2A224A01B00

Discontinued **RoHS** **REACH**

Appearance & Shape



Features

1. Ultra-small and thin external dimensions of 2.2(W)x2.75(L)x0.90 max.(T)mm.
2. For the terminal attachment method of construction that uses neither solder nor adhesives, good solderability and terminal attachment intensity are realized.
3. Because of multi-contact wiper structure, PVA2 has a stable characteristics (low noise).
4. PVA2 series does not use a solder, flux or cleaning solvent, so they are environmentally friendly products.
5. Heat resistance performance enables high temperature peak reflow soldering.

Packaging Information

Packaging	Specifications	Minimum Order Quantity
B00	Bulk(Bag)	1000

Attention

1. This datasheet is downloaded from the website of Murata Manufacturing Co., Ltd. Therefore, its specifications are subject to change or our products in it may be discontinued without advance notice. Please check with our sales representatives or product engineers before ordering.
2. This datasheet has only typical specifications because there is no space for detailed specifications. Therefore, please review our product specifications or consult the approval sheet for product specifications before ordering.

PVA2A224A01B00



Specifications

Power Rating	0.1W	Measure Condition of RatedPower	70°C
Shape	SMD	Operating Temperature Range	-55°C to 125°C
Maximum Working Voltage	50Vdc	Mass	0.01g
Adjustment Direction	Top		
Size	2mm		
Auto Adjustment	Yes		
Number of Turns (Effective Rotation Angle)	1(260°±10°)		
Mechanical Rotation Angle	Endless		
Total Resistance Value	220kΩ		
Total Resistance Value Tolerance	±25%		
Temperature Coefficient of Resistance	±250ppm/°C		
Resistance Taper	B (Linear)		
Contact Resistance Variation	3% max. of nominal total resistance value		
Residual Resistance	4% max. of nominal total resistance value		
Soldering Method	Reflow Soldering Iron		
Torque	0.5 to 9.8mN m		

Attention

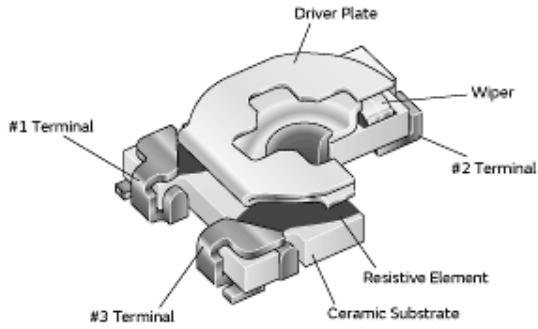
1.This datasheet is downloaded from the website of Murata Manufacturing Co., Ltd. Therefore, it's specifications are subject to change or our products in it may be discontinued without advance notice. Please check with our sales representatives or product engineers before ordering.

2.This datasheet has only typical specifications because there is no space for detailed specifications.

Therefore, please review our product specifications or consult the approval sheet for product specifications before ordering.

PVA2A224A01B00

Product Data



Constructions

Attention

- 1.This datasheet is downloaded from the website of Murata Manufacturing Co., Ltd. Therefore, it's specifications are subject to change or our products in it may be discontinued without advance notice. Please check with our sales representatives or product engineers before ordering.
- 2.This datasheet has only typical specifications because there is no space for detailed specifications.
Therefore, please review our product specifications or consult the approval sheet for product specifications before ordering.