

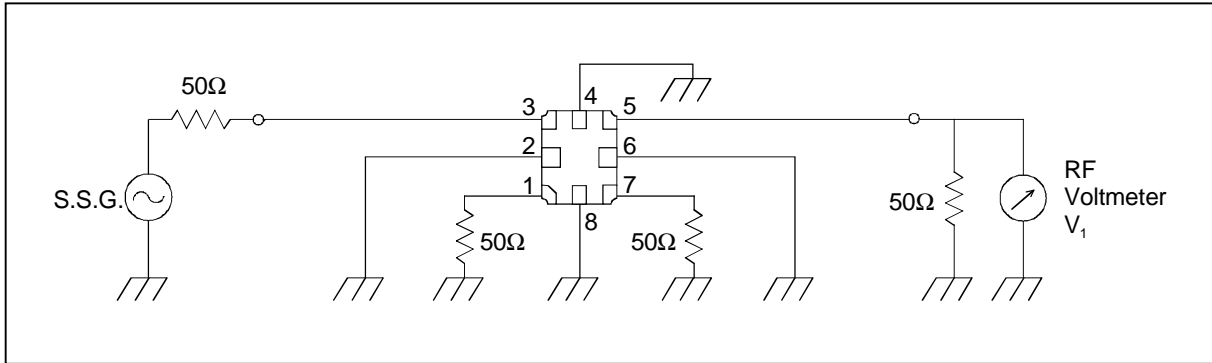
SAW FILTER FOR US-PCS (Tx)

Murata part number : SAWTF1G86LA3T00 ($f_c=1865\text{MHz}$)

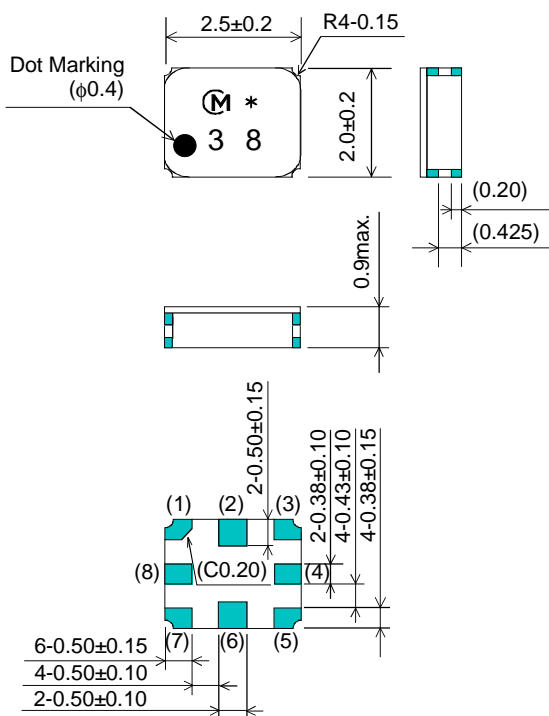
Feature

1. Small SMD package (2.5x2.0mm package)
2. Low Insertion Loss (2.0 dB max.)
3. High Attenuation (at 1930 to 1960MHz ; 38 dB min.)

Test Circuit



Package Dimensions



Marking
: Laser Printing

- (3) : Input (1865MHz)
- (1) : Input (1894.5MHz)
- (5) : Output (1865MHz)
- (7) : Output (1894.5MHz)
- Others : Ground

Unit : mm

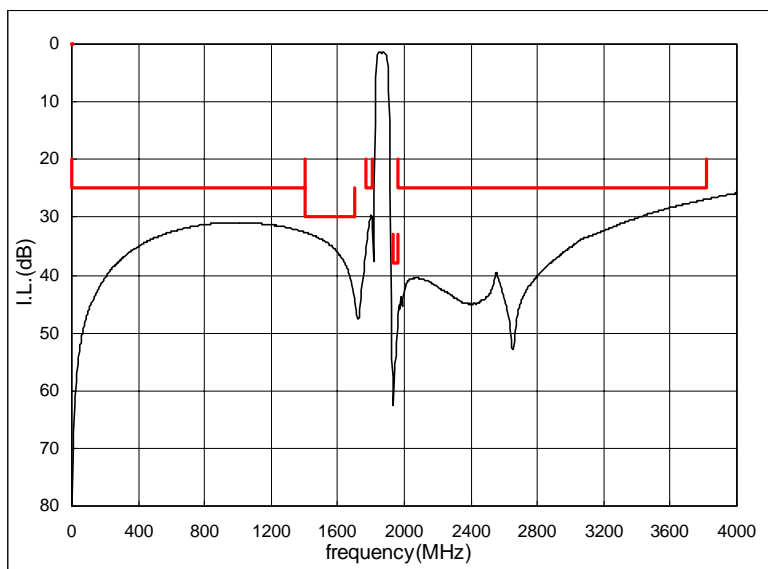
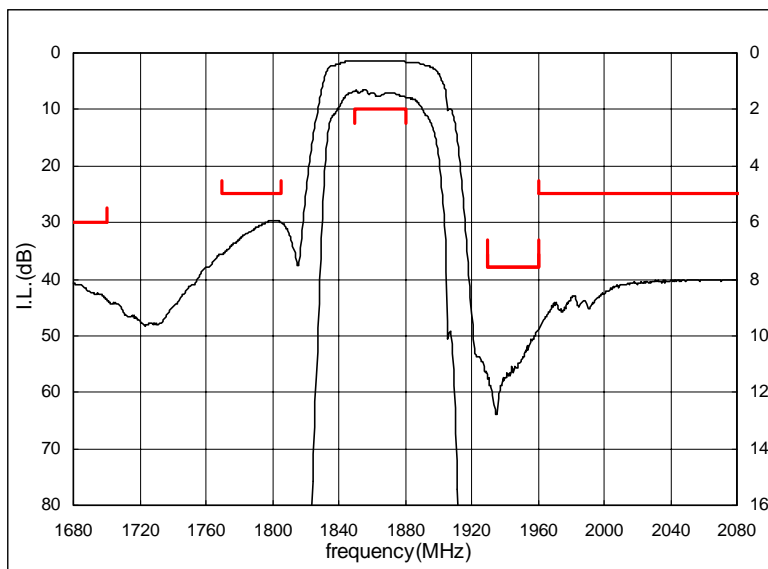
Specification

Item	Specification	
	-30 to +85°C	typ.
Nominal Center Frequency(f_c)	1865 MHz	
Insertion Loss (1850 to 1880 MHz)	2.0 dB max.	1.6 dB
Absolute Attenuation		
1) 0.1 to 1400 MHz	25 dB min.	30 dB
2) 1400 to 1700 MHz	30 dB min.	31 dB
3) 1770 to 1805 MHz	25 dB min.	30 dB
4) 1930 to 1960 MHz	38 dB min.	50 dB
5) 1960 to 3820 MHz	25 dB min.	27 dB
Ripple Deviation (1850 to 1880 MHz)	1.0 dB max.	0.3 dB
VSWR (1850 to 1880 MHz)	2.0 max.	1.5
Input/Output Impedance (nominal)	50Ω	

SAW FILTER FOR US-PCS (Tx)

Murata part number : SAWTF1G86LA3T00 ($f_c=1865\text{MHz}$)

Frequency Performance



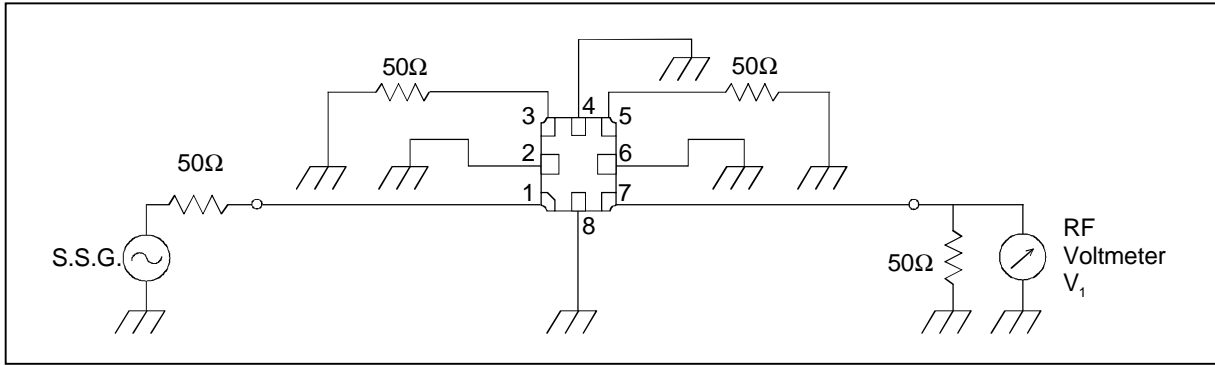
SAW FILTER FOR US-PCS (Tx)

Murata part number : SAWTF1G86LA3T00 ($f_c=1894.5\text{MHz}$)

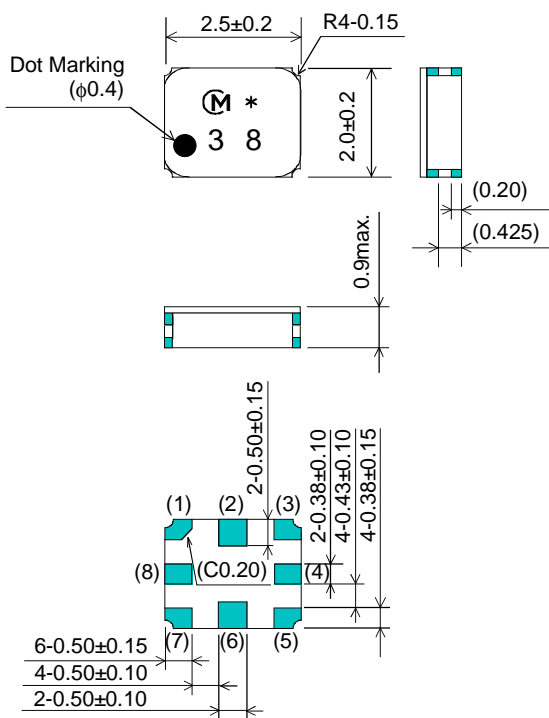
Feature

1. Small SMD package (2.5x2.2mm package)
2. Low Insertion Loss (2.0 dB max.)
3. High Attenuation (at 1960 to 1990MHz ; 38 dB min.)

Test Circuit



Package Dimensions



Marking
: Laser Printing

- (3) : Input (1865MHz)
- (1) : Input (1894.5MHz)
- (5) : Output (1865MHz)
- (7) : Output (1894.5MHz)
- Others : Ground

Unit : mm

Specification

Item	Specification	
	-30 to +85°C	typ.
Nominal Center Frequency(f_c)	1894.5 MHz	
Insertion Loss (1879 to 1910 MHz)	2.0 dB max.	1.6 dB
Absolute Attenuation		
1) 0.1 to 1400 MHz	25 dB min.	30 dB
2) 1400 to 1700 MHz	25 dB min.	31 dB
3) 1770 to 1830 MHz	25 dB min.	30 dB
4) 1960 to 1990 MHz	38 dB min.	50 dB
5) 1990 to 3000 MHz	25 dB min.	35 dB
6) 3000 to 3820 MHz	23 dB min.	26 dB
Ripple Deviation (1879 to 1910 MHz)	1.0 dB max.	0.3 dB
VSWR (1879 to 1910 MHz)	2.0 max.	1.5
Input/Output Impedance (nominal)	50Ω	

SAW FILTER FOR US-PCS (Tx)

Murata part number : SAWTF1G86LA3T00 ($f_c=1894.5\text{MHz}$)

Frequency Performance

