

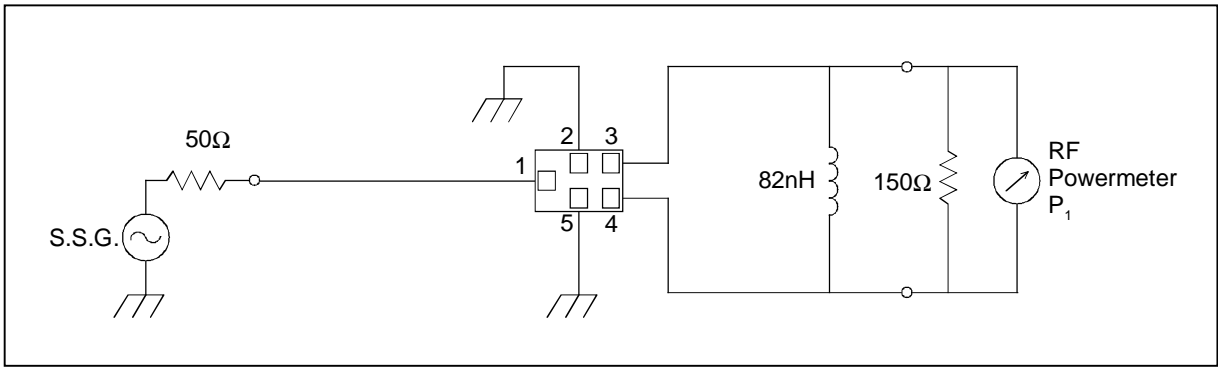
SAW FILTER FOR GSM900 (Rx)

Murata part number : SAFED942MFM0F00

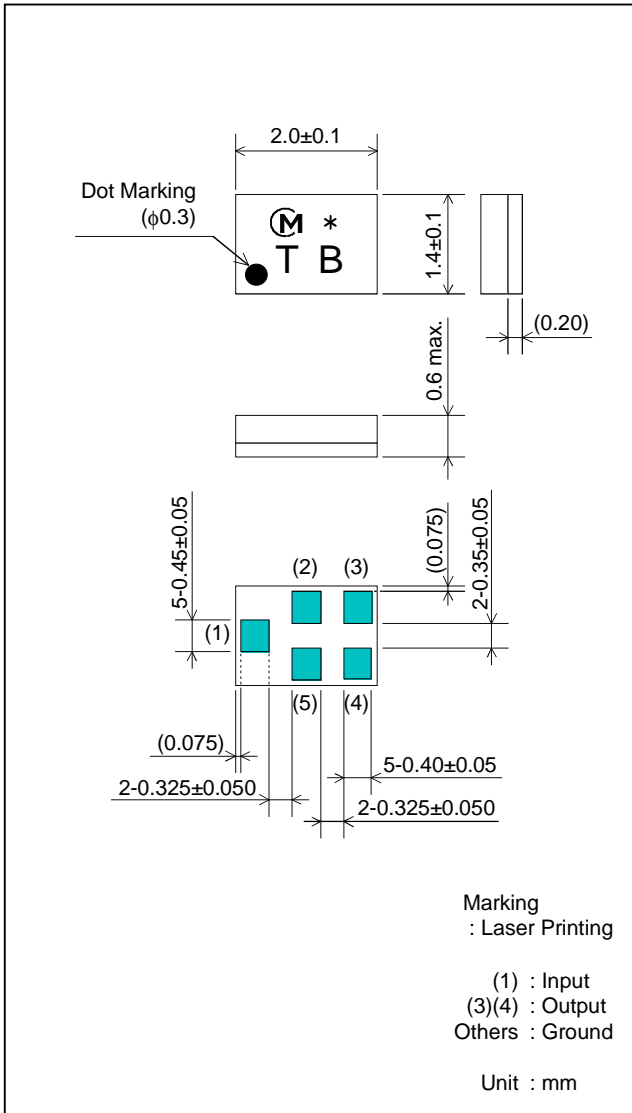
Feature

1. Low Insertion Loss (2.2 dB max.)
2. Ultra Small SMD package (2.0x1.4mm package)
3. Balance type (50Ω/150Ω)

Test Circuit



Package Dimensions



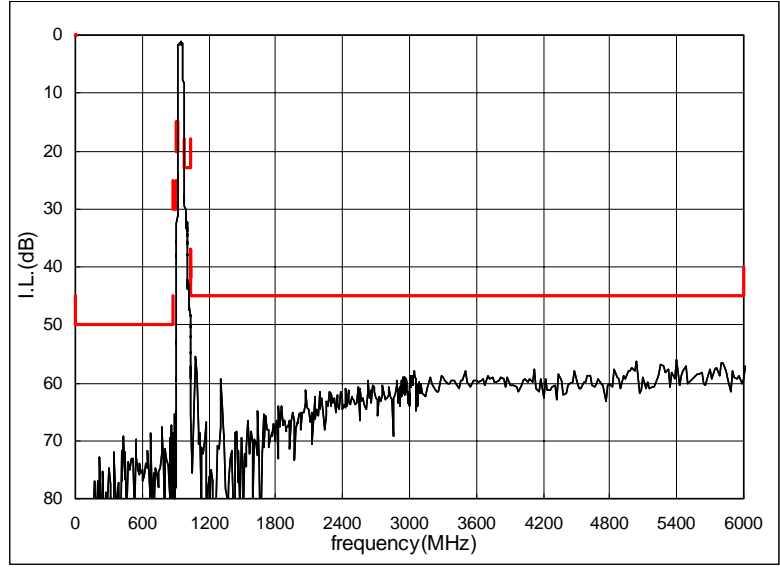
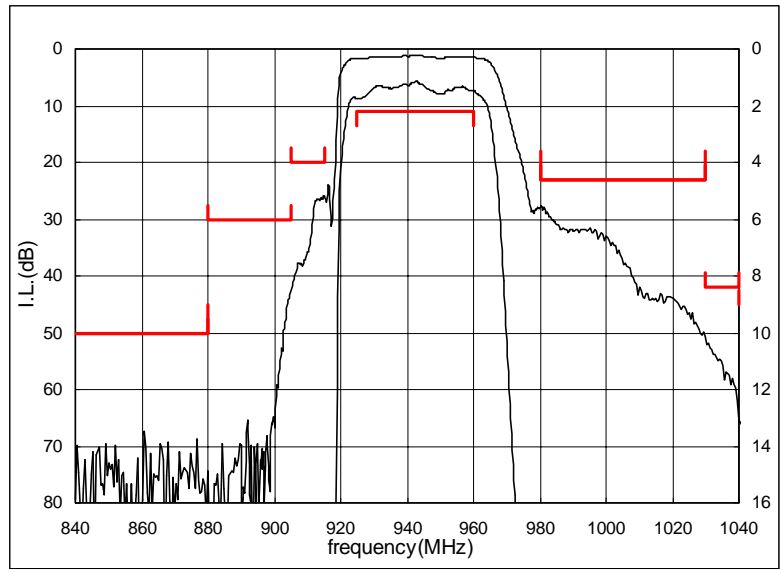
Specification

Item	Specification		
	-10 to 80°C	25±2°C	typ.
Nominal Center Frequency(fc)	942.5MHz		
Insertion Loss (925 to 960MHz)	2.2dB max.	2.1dB max.	1.7 dB
Absolute Attenuation			
1) 0 to 880 MHz	50 dB min.	50 dB min.	66 dB
2) 880 to 905 MHz	30 dB min.	30 dB min.	38 dB
3) 905 to 915 MHz	20 dB min.	22 dB min.	23 dB
4) 980 to 1030 MHz	23 dB min.	24 dB min.	27 dB
5) 1030 to 1040 MHz	42 dB min.	42 dB min.	56 dB
6) 1040 to 6000 MHz	45 dB min.	45 dB min.	55 dB
Ripple Deviation (925 to 960MHz)	1.3dB max.	1.2dB max.	0.6 dB
VSWR (925 to 960MHz)	2.1 max.	2.0 max.	1.8
Amplitude Balance (925 to 960MHz)	±0.7dB max.	±0.7dB max.	±0.3dB
Phase Balance (925 to 960MHz)	180±5deg. max.	180±5deg. max.	180+1deg.
Input Impedance (nominal)	50Ω		
Output Impedance (nominal)	150Ω//82nH		

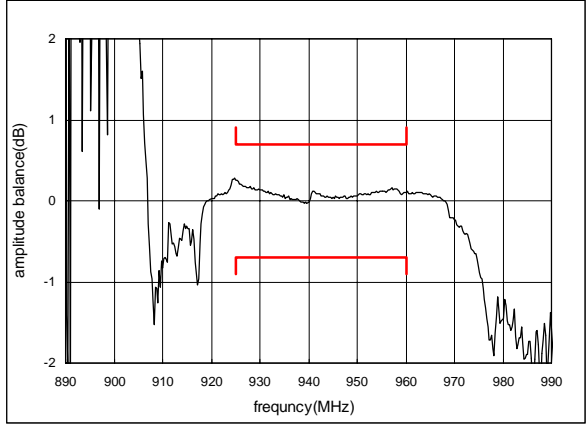
SAW FILTER FOR GSM900 (Rx)

Murata part number : SAFED942MFM0F00

Frequency Performance



Amplitude balance



Phase balance

