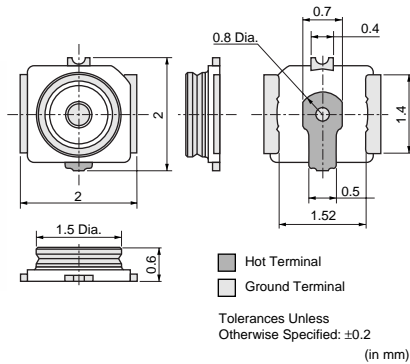


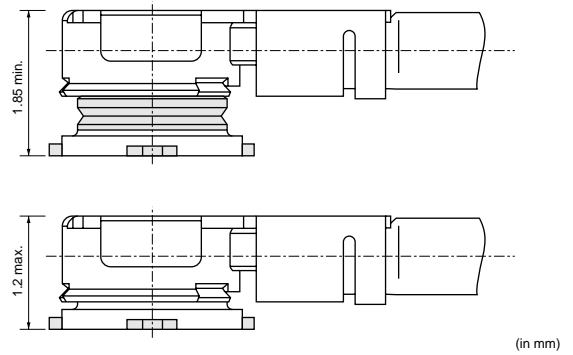
Coaxial Connectors



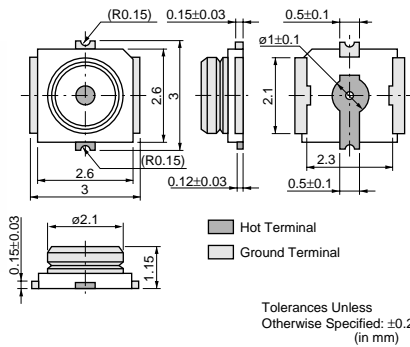
MM4829-2702



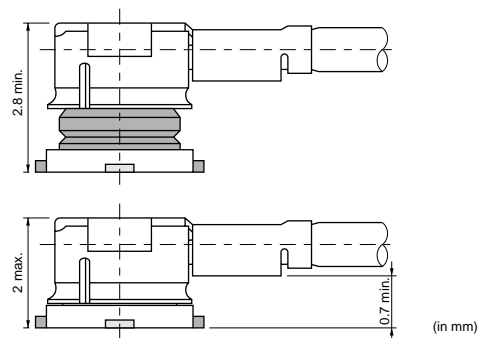
Dimensions



MM9329-2700



Dimensions



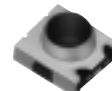
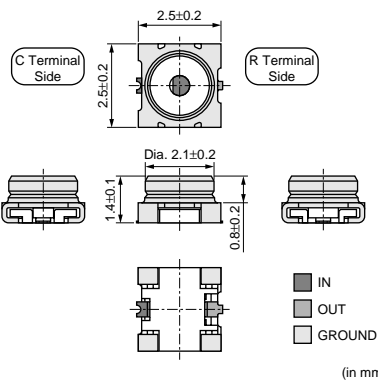
Part Number	Rated Voltage (V)	Frequency Rating (GHz)	Temperature Range	VSWR
MM4829-2702	250	to 6.0	-40 to +85degree C	1.3 max. (DC to 3GHz)
MM9329-2700	250	to 6.0	-40 to +90degree C	1.2 max. (DC to 3GHz)
MXHP32_TYPE	250	to 6.0	-40 to +85degree C	1.3 max.(DC to 3GHz)
MXTK92_TYPE	250	to 6.0	-40 to +90degree C	1.2 max.(DC to 3GHz)

Impedance: 50ohm

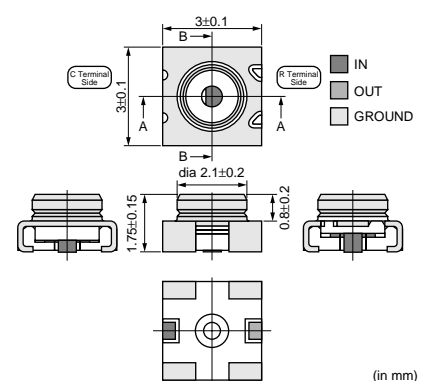
Coaxial Connectors with Switches



MM8130-2600




MM8430-2610

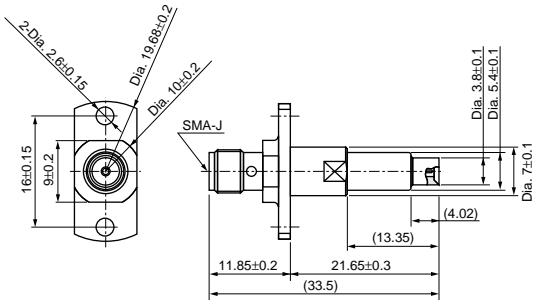


Continued on the following page. ↗

Microwave Components

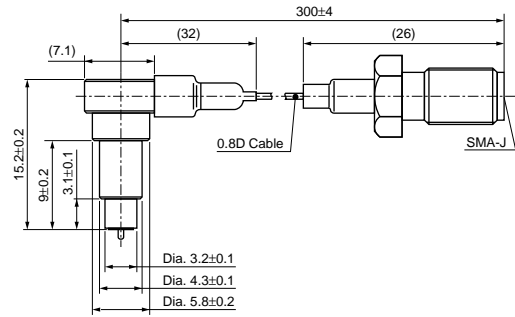
 Continued from the preceding page.

Measurement Probe (P/N:MM126036)



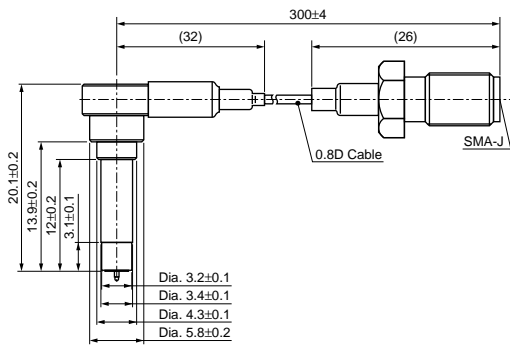
(in mm)

Measurement Probe (P/N:MXHS83QE3000)



(in mm)

Measurement Probe (P/N:MXHS83QH3000)



(in mm)

Part Number	Rated Voltage (Vrms)	Frequency Rating (GHz)	Temperature Range	VSWR
MM8130-2600	250	to 6	-40 to +85degree C	1.2 max. (DC to 3GHz)
MM8430-2610	250	to 6	-40 to +85degree C	1.2 max.(DC to 3GHz)

Impedance: 50ohm