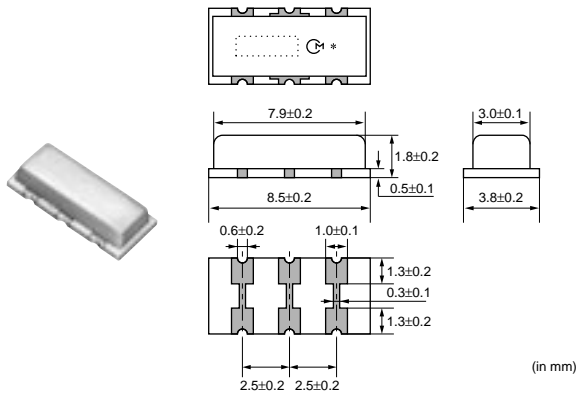


# Traps for TV/VCR

## Ceramic Traps

### ● Chip Type TPSKA Series

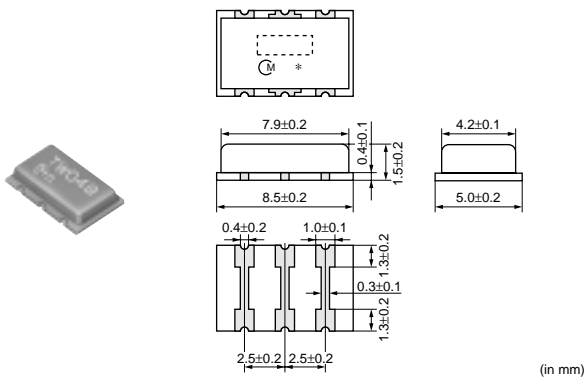


(in mm)

| Part Number     | Nominal Center Frequency (fn1) (MHz) | Attenuation (at fn1) (dB) | 30dB Attenuation BW (fn1) (kHz) |
|-----------------|--------------------------------------|---------------------------|---------------------------------|
| TPSKA4M50B00-R3 | 4.500                                | 35 min.                   | 50 min.                         |
| TPSKA5M50B00-R3 | 5.500                                | 35 min.                   | 70 min.                         |
| TPSKA6M00B00-R3 | 6.000                                | 35 min.                   | 70 min.                         |
| TPSKA6M50B00-R3 | 6.500                                | 35 min.                   | 70 min.                         |

For safety purposes, connect the output of filters to the IF amplifier through a D.C. blocking capacitor. Avoid applying a direct current to the output of ceramic filters. The order quantity should be an integral multiple of the "Minimum Quantity" shown in the beginning of this catalog.

### ● Chip Type Double Trap TPWKA Series

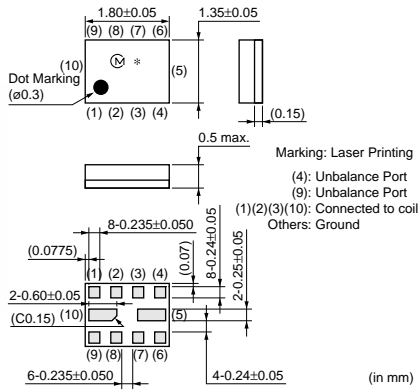
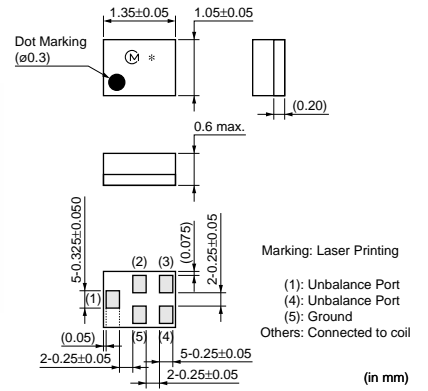
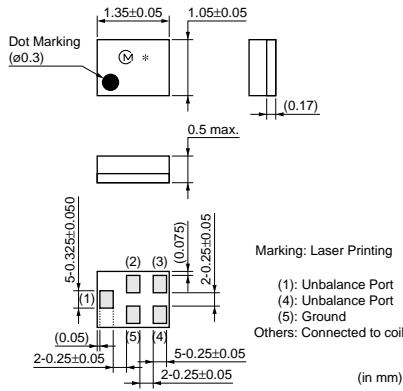


(in mm)

| Part Number     | Nominal Center Frequency (fn1) (MHz) | Nominal Center Frequency (fn2) (MHz) | Attenuation (at fn1) (dB) | Attenuation (at fn2) (dB) | 30dB Attenuation BW (fn1) (kHz) |
|-----------------|--------------------------------------|--------------------------------------|---------------------------|---------------------------|---------------------------------|
| TPWKA5M50B04-R1 | 5.500                                | 5.742                                | 30 min.                   | 30 min.                   | 50 min.                         |

For safety purposes, connect the output of filters to the IF amplifier through a D.C. blocking capacitor. Avoid applying a direct current to the output of ceramic filters. The order quantity should be an integral multiple of the "Minimum Quantity" shown in the beginning of this catalog.

# SAW Traps



| Part Number            | Application | Center Frequency (MHz) | Attenuation (MHz) | Insertion Loss (1) (dB max.) | Insertion Loss (2) (dB max.) | Insertion Loss (3) (dB max.) |
|------------------------|-------------|------------------------|-------------------|------------------------------|------------------------------|------------------------------|
| <b>SAEEA835MBA0F00</b> | ISDB-T      | 835                    | 830 to 840        | 1.5 (470MHz to 710MHz)       | 2.0 (710MHz to 770MHz)       | 40 (830MHz to 840MHz)        |
| <b>SAEEB897MBB0B00</b> | DVB-H       | 897.5                  | 880 to 915        | 2.0 (470MHz to 750MHz)       | 3.4 (750MHz to 798MHz)       | 41 (880MHz to 915MHz)        |
| <b>SAEEN832MWA0B00</b> | ISDB-T      | 832<br>915             | 824 to 840        | 2.1 (470MHz to 710MHz)       | 3.3 (710MHz to 770MHz)       | 37 (824MHz to 840MHz)        |

Note • This PDF catalog is downloaded from the website of Murata Manufacturing co., Ltd. Therefore, it's specifications are subject to change or our products in it may be discontinued without advance notice. Please check with our sales representatives or product engineers before ordering.  
 • This PDF catalog has only typical specifications because there is no space for detailed specifications. Therefore, please approve our product specifications or transact the approval sheet for product specifications before ordering.