

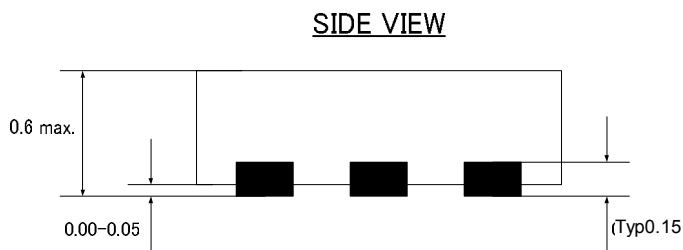
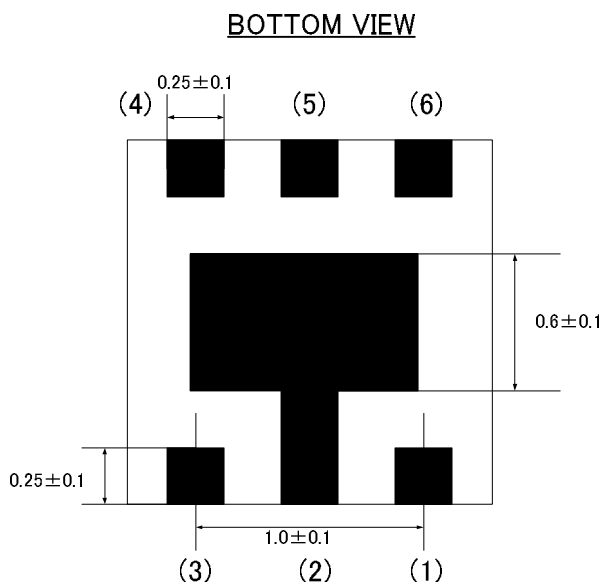
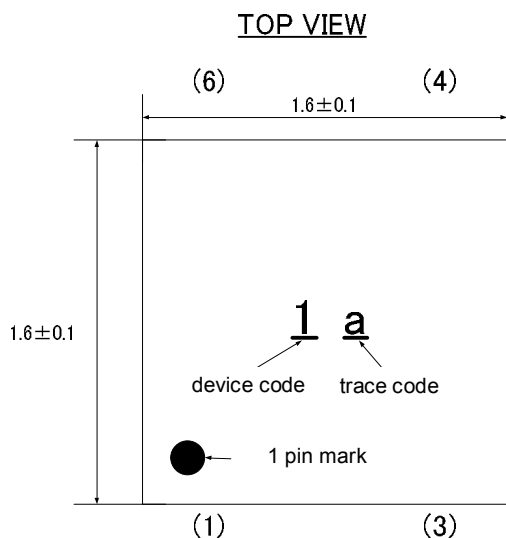
### 1. Application

- ESD Protection

### 2. Features

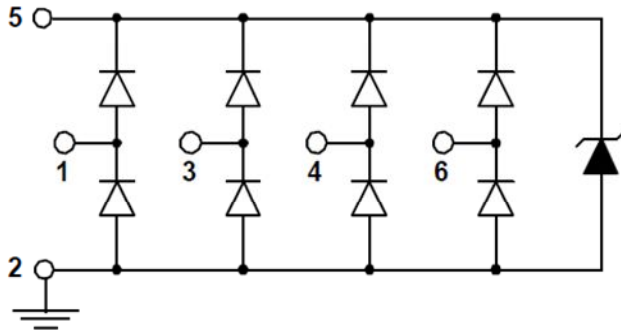
- IEC61000-4-2(ESD)  $\pm 15\text{kV}$ (air),  $\pm 10\text{kV}$ (contact)
- Low capacitance : 1.3pF typical
- Fast turn on and low clamping voltage
- For 4lines
- RoHS regulation conformity parts

### 3. Mechanical details (dimensions : mm)



#### Pin configuration

No.	Terminal name
(1)	I/O 1
(2)	GND
(3)	I/O 2
(4)	I/O 3
(5)	VDD
(6)	I/O 4

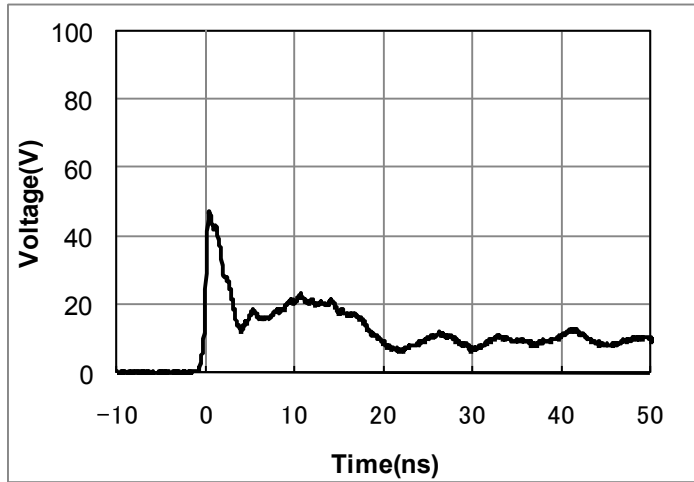
**4. Schematic**

**5. Maximum Ratings**

Rating	Symbol	Value	Units
Operating voltage(VDD-GND)	$V_{DC}$	5.5	<b>V</b>
ESD per IEC 61000-4-2 (air)	$V_{ESD}$	$\pm 15$	<b>kV</b>
ESD per IEC 61000-4-2 (contact)		$\pm 10$	
Lead Soldering Temperature	$T_{SOL}$	260(10sec.)	<b>°C</b>
Operating Temperature	$T_{OP}$	-40 to +85	<b>°C</b>
Storage Temperature	$T_{STO}$	-40 to +125	<b>°C</b>

**6. Electrical characteristics (T=25 °C)**

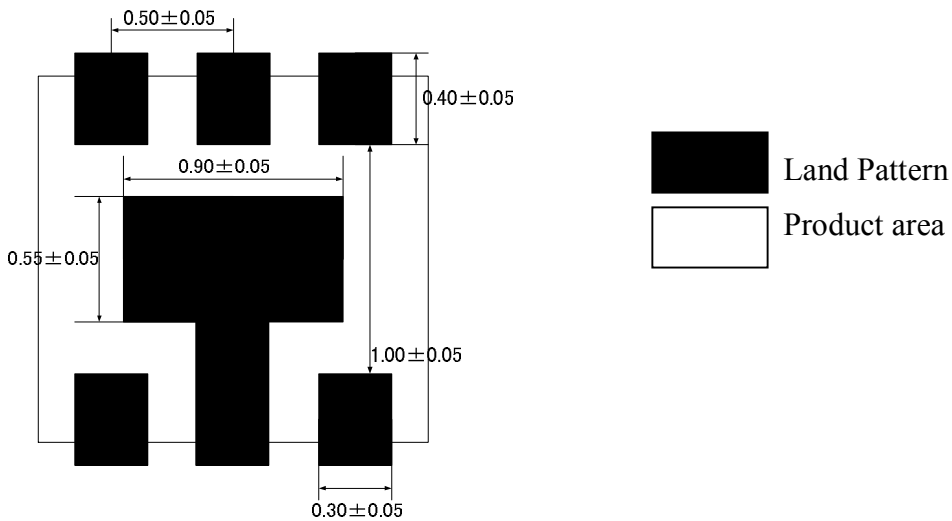
Parameter	Symbol	Conditions	Min	Typ	Max	Units
Leakage Current (I/O-GND)	$I_{Leak}$	$V_{pin5}=5V, V_{pin2}=0V, V_{CH}=0-5V$			1	<b><math>\mu A</math></b>
Breakdown Voltage	$V_{BV}$	$I_{BV} = 1mA$	6		9	<b>V</b>
Capacitance (I/O-GND)	$C_{IN}$	$V_{pin5} = 5V, V_{pin2} = 0V, V_{IN} = 2.5V,$ $f = 1MHz$		1.3		<b>pF</b>

### 7. Typical Characteristics



ESD Waveform (IEC61000-4-2 : 8kV Contact)

### 8. Soldering Footprint (dimensions : mm)

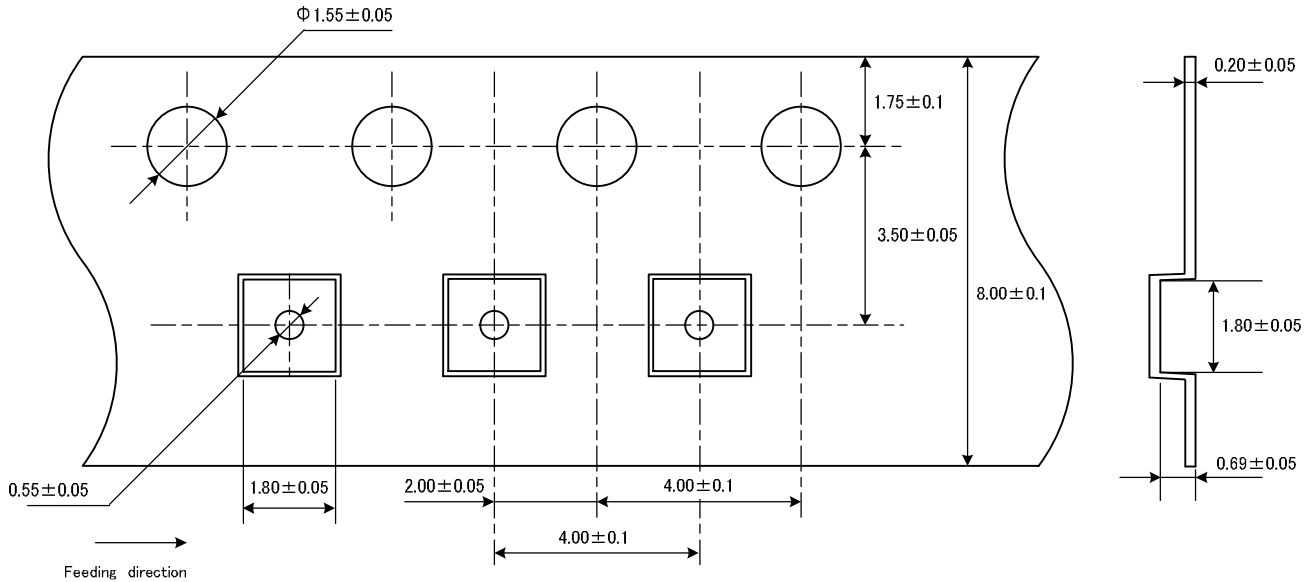


Notes : this land layout is for reference purpose only.

### 9. Taping Specification

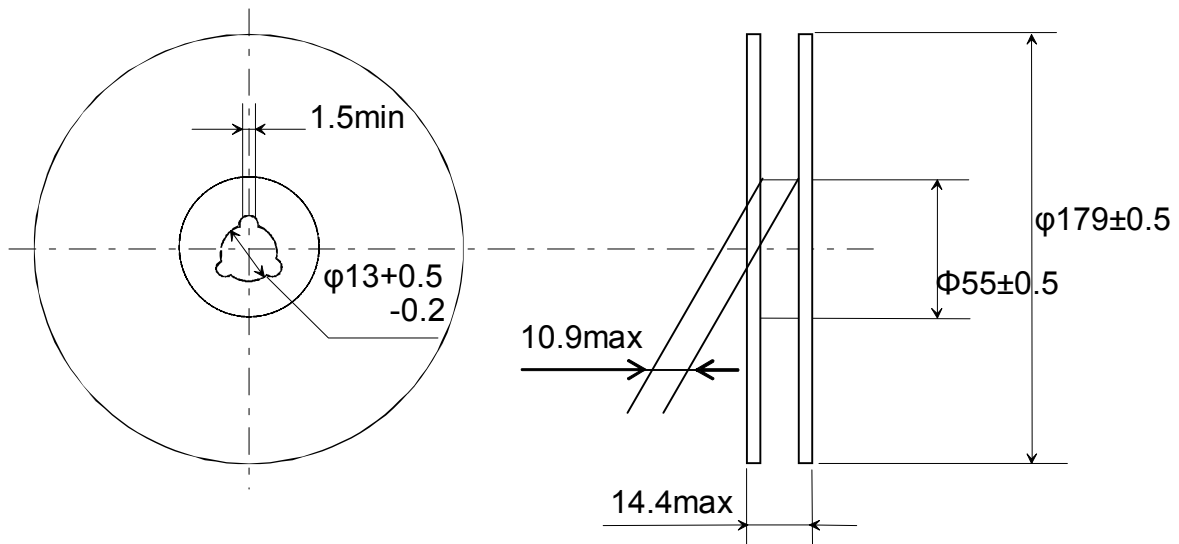
#### 1) Dimensions of Tape (Plastic tape)

(in mm)



#### 2) Dimensions of Reel

(in mm)



#### 3) Packaging unit: 3000 pcs / reel

**Note:**

1. This datasheet's specifications are subject to change or our products in it may be discontinued without advance notice. Please check with our sales representatives or product engineers before ordering.
2. This datasheet has only typical specifications because there is no space for detailed specifications. Therefore, please approve our product specifications or transact the approval sheet for product specifications before ordering.