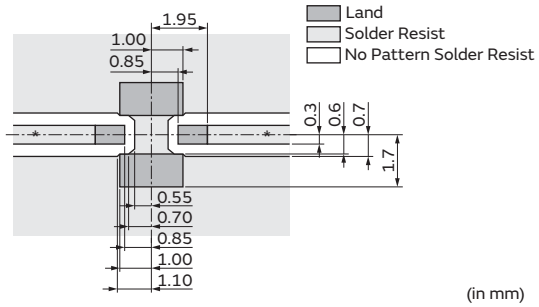


Mounting



* Line width to be designed to match 50Ω characteristic impedance, depending on PCB material and thickness.