

1. General

1.1 Scope

This specification applies to type

: US4032B3BH5 Lithium Ion Polymer Rechargeable Battery

1.2 Name and Code

1.2.1 Cell Name : US4032B3BH5

1.2.2 Model Number : US4032B3BH5

1.2.3 Code : 49943342

1.3 Cell Shape and Weight

1.3.1 Cell Shape : Polymer

1.3.2 Size : Thickness 3.92 mm max

Width 31.9 mm max

Length(without Tab) 113 mm max

1.3.3 Weight : 33 g (typical)

1.4 Reference test current

1.0 ItA: 2000 mA

1.5 Safety Regulation

Murata acquired UL1642

2. Performance

at room temperature, 3.0V cut off

Nominal Capacity (0.2ItA discharge)	1960mAh	average capacity 3.8 V (average discharge voltage)
	7.51Wh	
Rated Capacity (0.2ItA discharge)	1900mAh	minimum capacity
	7.22Wh	
Capacity at 0.5ItA	1860mAh	average capacity
	7.00Wh	
Capacity at 1.0ItA	1840mAh	average capacity
	6.78Wh	
Nominal Voltage	3.8 V	
Internal Impedance	30 mΩ	measured by AC1 kHz
Cycle Performance	80% of Initial capacity at 500 cycles	0.5 ItA discharge rate

standard Charge Condition

Charge Method : constant current / constant voltage

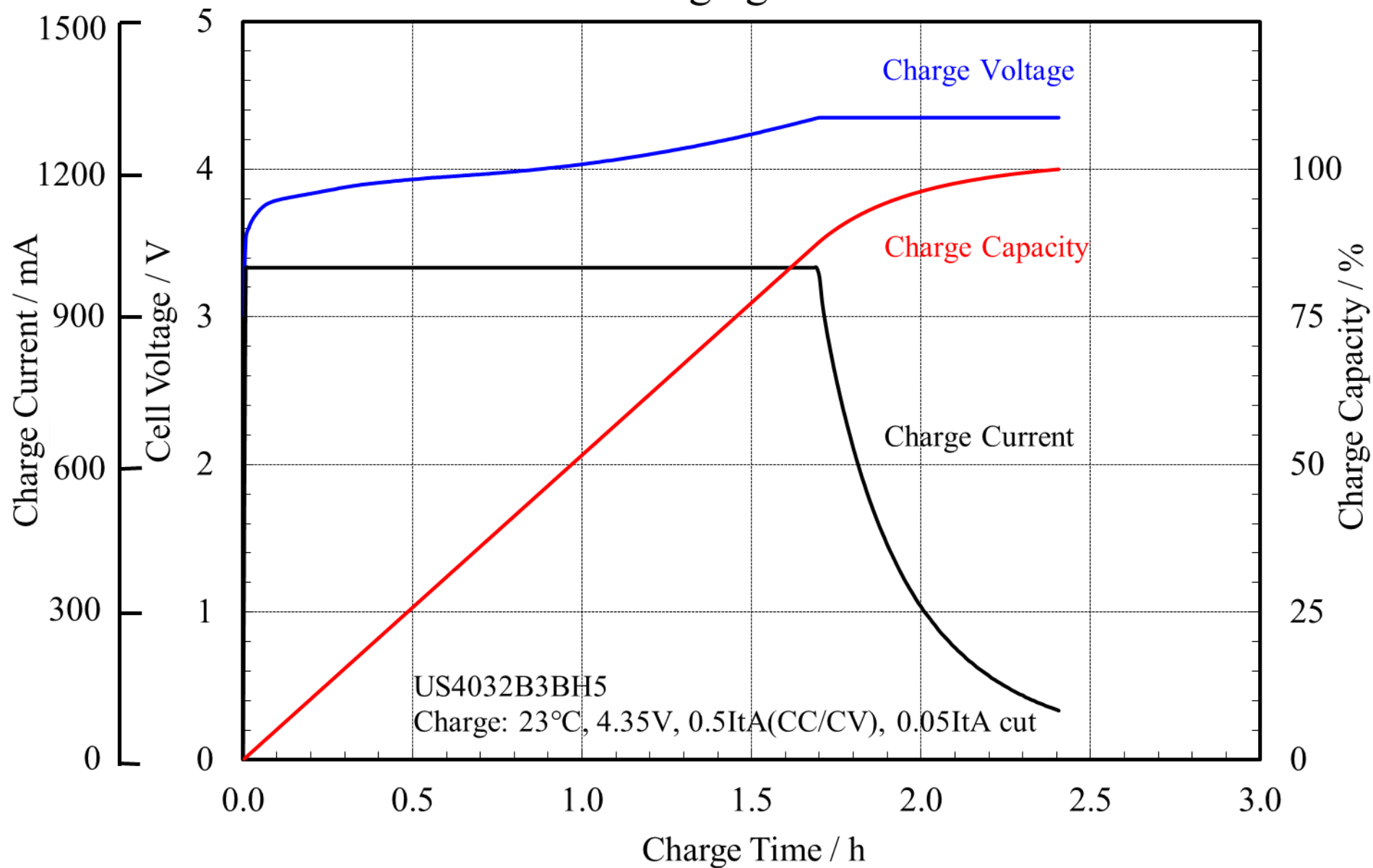
Charge Up Voltage : 4.35 ± 0.05 V

Charge Current : 1.00 A

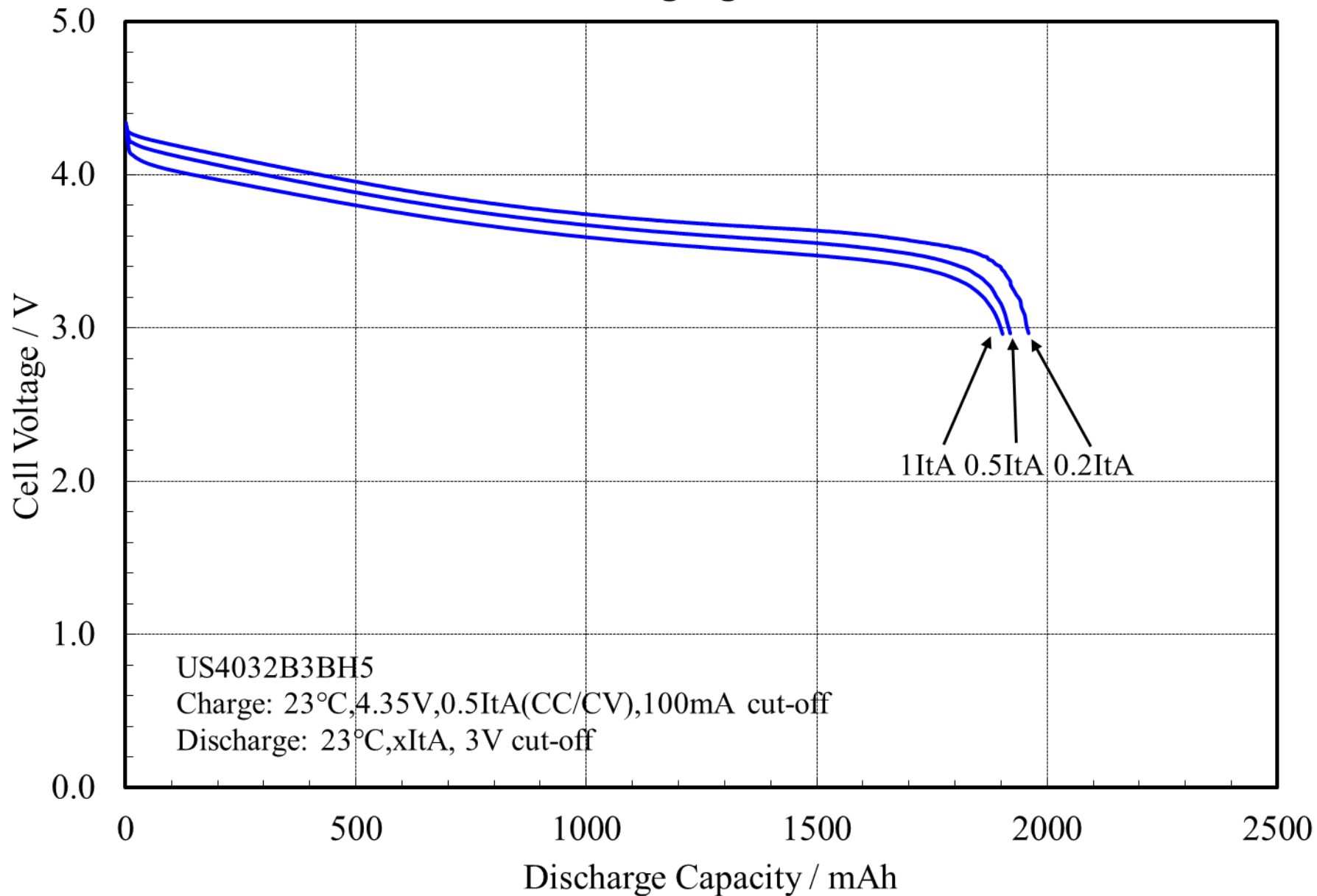
Charge Cut off Current : 100 mA

Ambiance Temperature : 23 °C

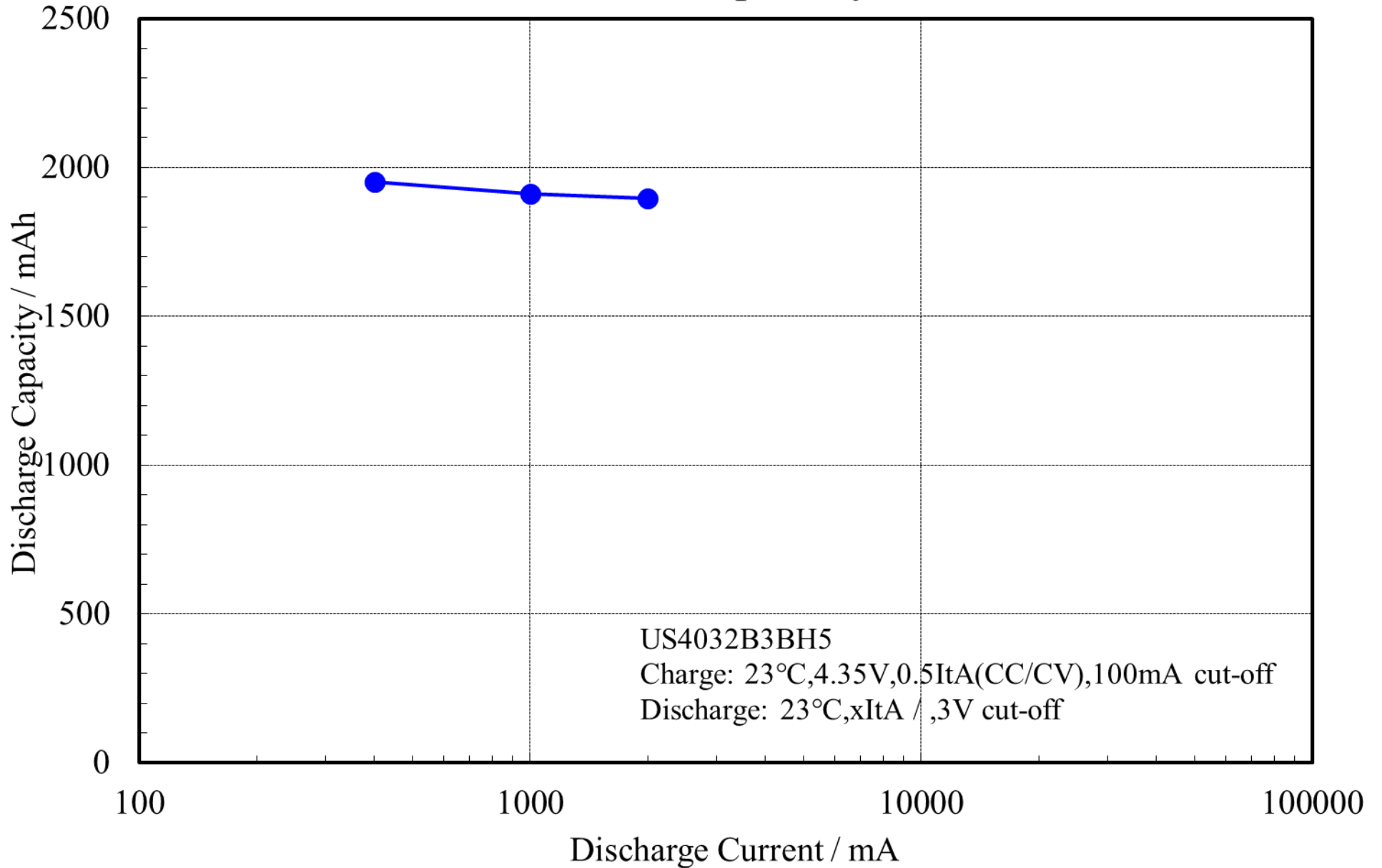
Charging Profile



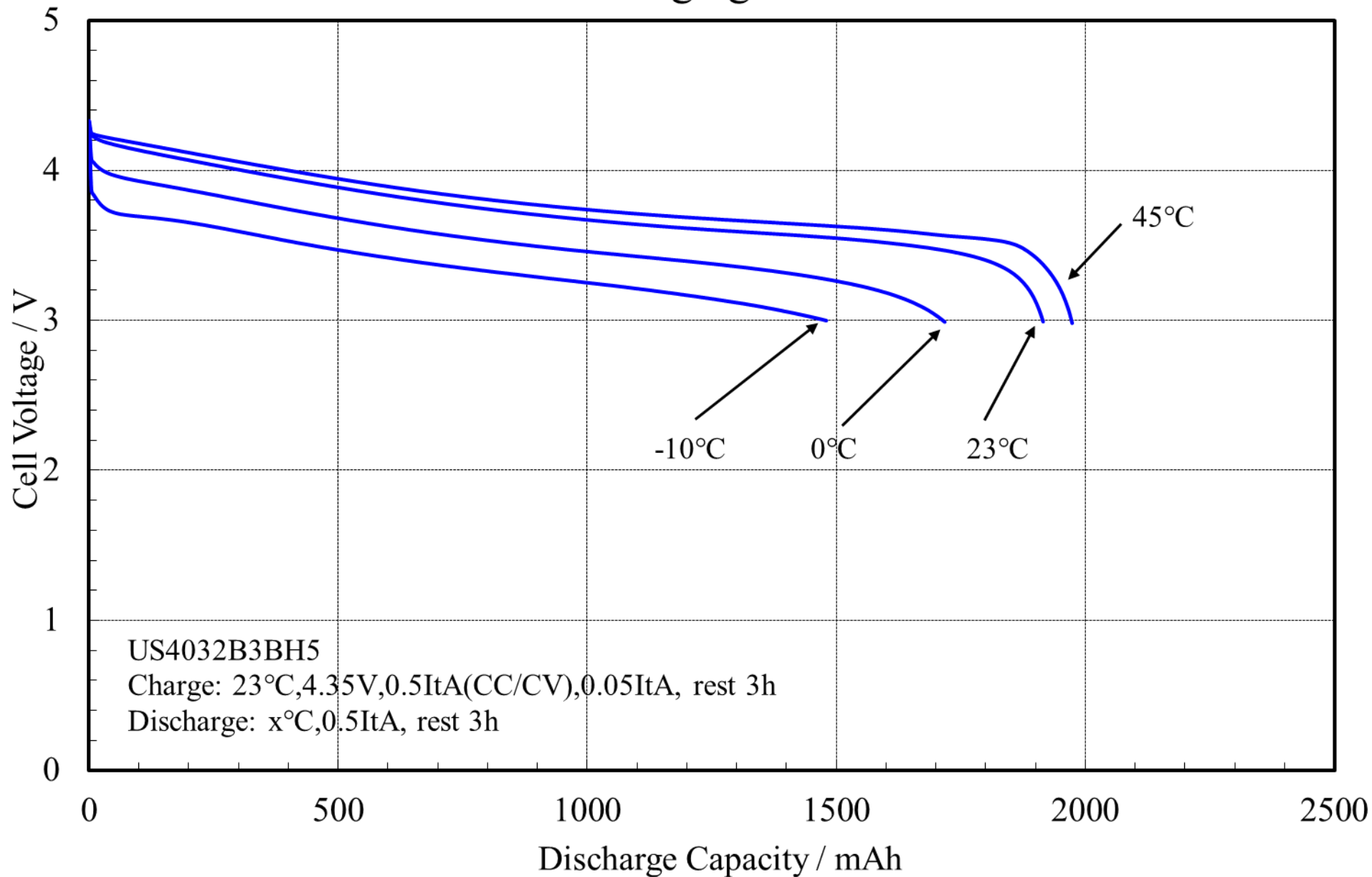
Discharging Profile



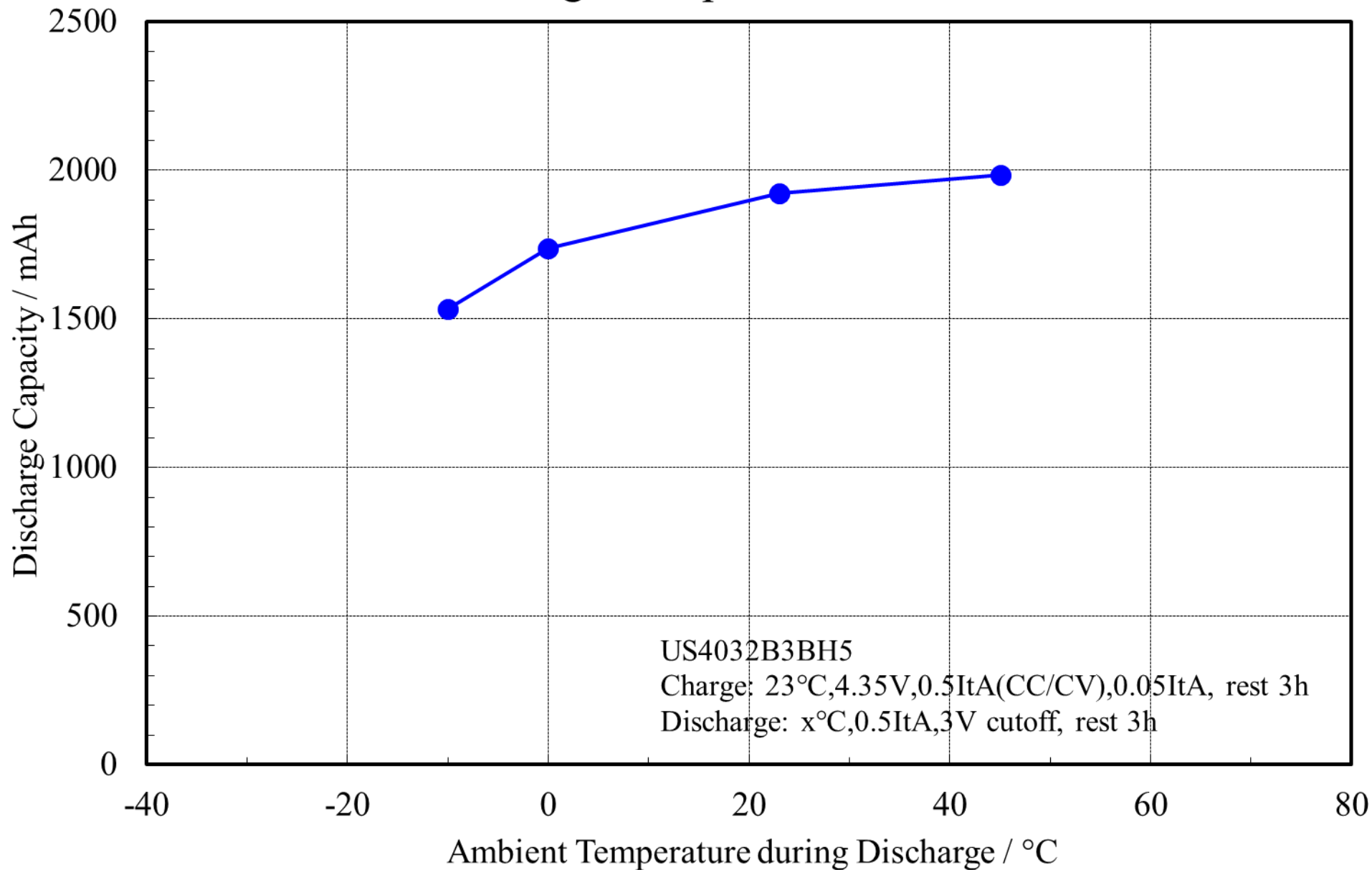
Drain Capability



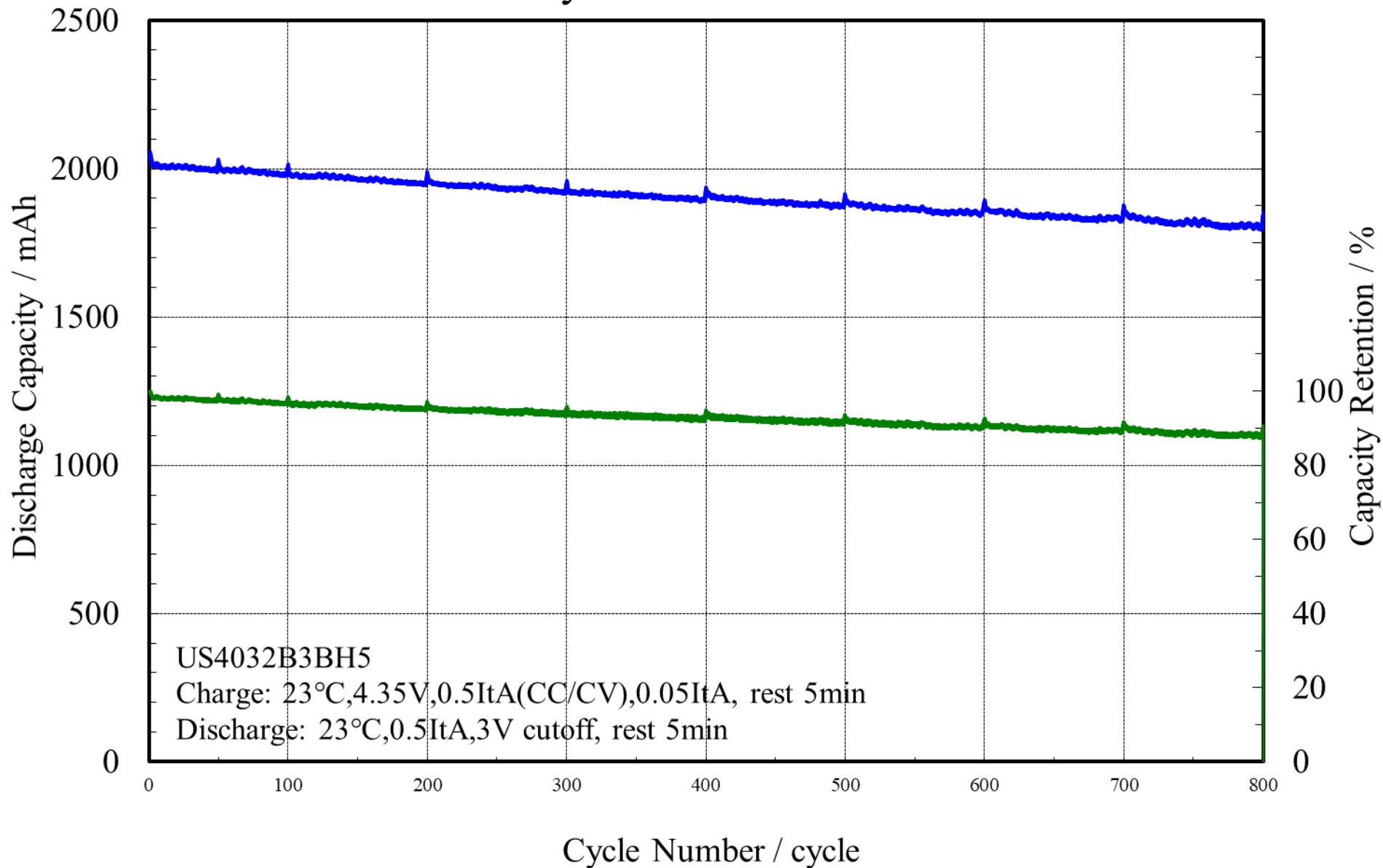
Discharging Profile



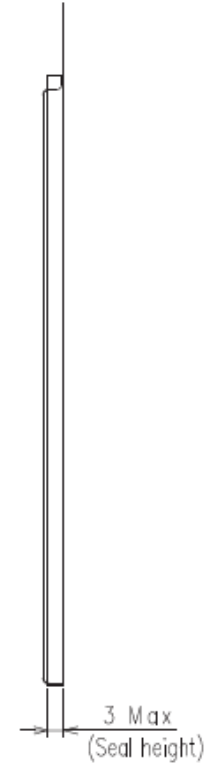
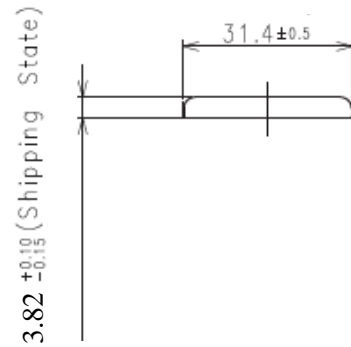
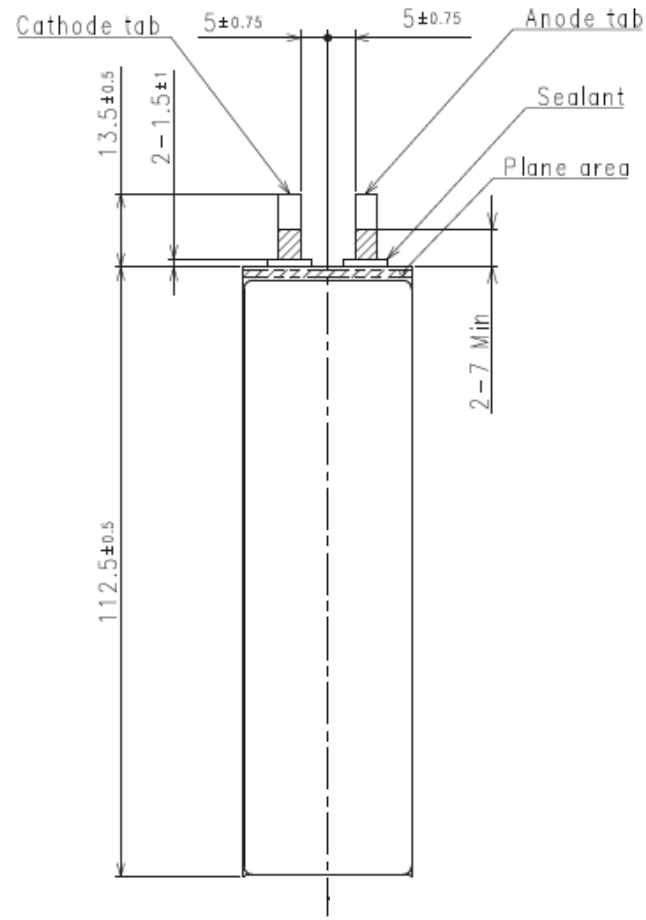
Discharge Temperature Performance



Cycle Performance



Cell Size (US4032B3BH5)



Same opposite face