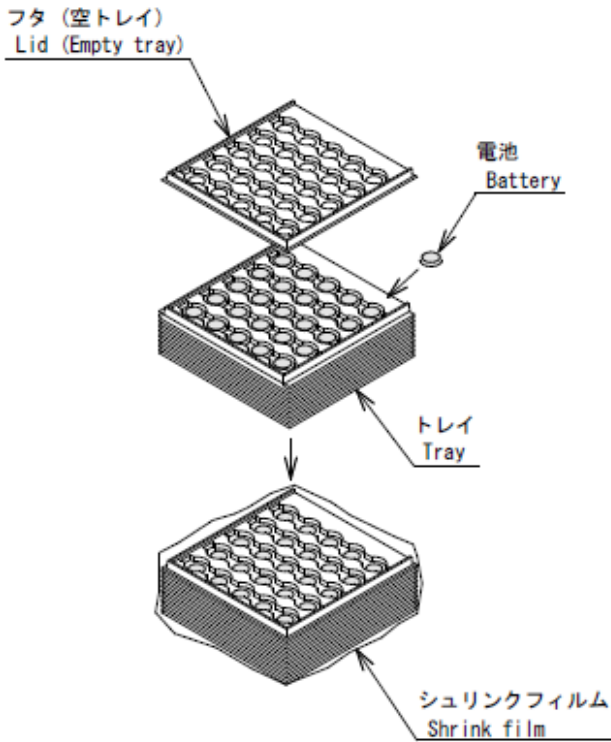


# Packaging specification/包装仕様

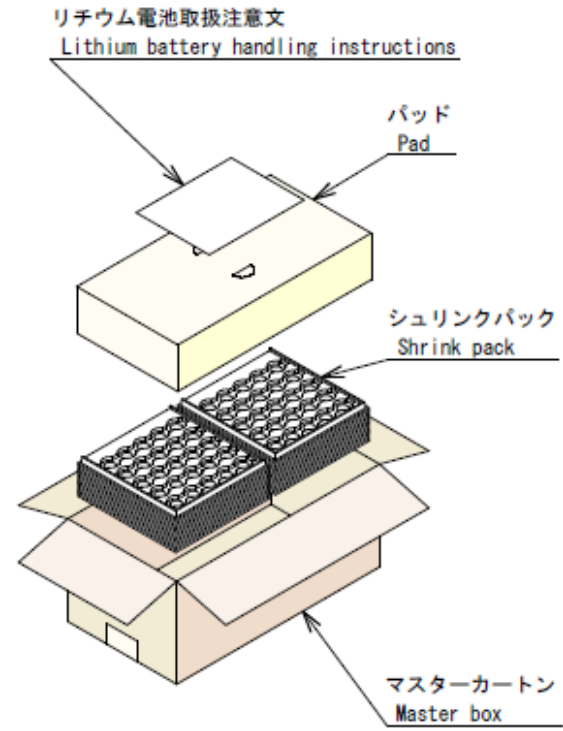
Type	Model name	Package (Ship mode)	Master Carton QTY (pcs)	Package drawing	Size L master carton	Size H master carton	Size W master carton	Master carton G Weight	
Standard	CR1216	Air & Boat	2000	Package 1	342	150	186	2.3	
	CR1220	Air & Boat	2000	Package 1	342	150	186	2.5	
	CR1616	Air & Boat	1200	Package 1	342	150	186	2.4	
	CR1620	Air & Boat	1200	Package 1	342	150	186	2.6	
	CR1632	Air & Boat	1200	Package 1	342	150	186	3.3	
	CR2016	Air & Boat	1200	Package 1	342	151	183	3.2	
	CR2025	Air & Boat	700	Package 1	342	151	183	2.6	
		Boat	1400	Package 2	342	151	183	4.8	
	CR2032	Air & Boat	700	Package 1	342	151	183	3.0	
		Boat	1400	Package 2	342	151	183	5.4	
	CR2430	Air & Boat	500	Package 1	342	151	183	2.9	
		Boat	1500	Package 2	342	151	183	7.8	
CR2450	Air & Boat	300	Package 1	342	151	183	2.6		
	Boat	900	Package 2	342	151	183	6.8		
Extended Temp.	CR2032X	Air & Boat	700	Package 1	342	150	186	2.9	
		Boat	1400	Package 2	342	150	186	5.2	
	CR2450X	Air & Boat	300	Package 1	342	150	186	2.4	
		Boat	900	Package 2	342	150	186	6.4	
	CR2477X	Air & Boat	200	Package 1	342	150	186	2.5	
		Boat	600	Package 2	342	150	186	6.4	
CR3677X	Air & Boat	120	※	342	150	186	3.2		
	Boat	240	※	342	150	186	5.7		
Heat-resitant	CR2032W	Air & Boat	700	Package 1	342	150	186	3.0	
	CR2050W	Air & Boat	500	Package 1	342	150	186	2.8	
	CR2450W	Air & Boat	300	Package 1	342	150	186	2.6	
	CR2477W	Air & Boat	200	Package 1	342	150	186	2.8	
High Drain	CR2032R	Air & Boat	700	Package 1	342	150	186	2.9	
		Boat	1400	Package 2	342	150	186	5.2	
	CR2450R	Air & Boat	300	Package 1	342	150	186	2.4	
		Boat	900	Package 2	342	150	186	6.2	
Tab-welder	Standard	CR2032-HE1	Air & Boat	250	Package 3	363	152	187	1.6
		CR2032-HE8	Air & Boat	250	Package 3	363	152	187	1.6
		CR2032-HO6	Air & Boat	250	Package 3	363	152	187	1.6
		CR2032-VE3	Air & Boat	250	Package 3	363	152	187	1.6
		CR2430-HE1	Air & Boat	250	Package 3	363	152	187	1.9
		CR2430-HE2	Air & Boat	250	Package 3	363	152	187	1.9
		CR2430-HO1	Air & Boat	250	Package 3	363	152	187	1.9
		CR2430-VE1	Air & Boat	200	Package 3	363	152	187	1.7
		CR2450-HE5	Air & Boat	200	Package 4	381	218	196	2.3
		CR2450-HE6	Air & Boat	250	Package 3	363	152	187	2.5
		CR2450-HO5	Air & Boat	250	Package 3	363	152	187	2.5
	CR2450-VE6	Air & Boat	200	Package 3	363	152	187	2.2	
	Extended Temp.	CR2032X-HE1	Air & Boat	250	Package 3	363	152	187	1.6
		CR2032X-HO6	Air & Boat	250	Package 3	363	152	187	1.6
		CR2450X-HE6	Air & Boat	250	Package 3	363	152	187	2.4
		CR2450X-HO5	Air & Boat	250	Package 3	363	152	187	2.4
		CR2477X-HE2	Air & Boat	125	Package 4	363	152	187	1.9
		CR2477X-HO4	Air & Boat	125	Package 4	363	152	187	1.9
	Heat-resitant	CR2032W-HE1	Air & Boat	250	Package 3	363	152	187	1.6
		CR2032W-HO6	Air & Boat	250	Package 3	363	152	187	1.6
		CR2050W-MP6	Air & Boat	400	Package 3	381	155	196	2.6
		CR2450W-HE6	Air & Boat	250	Package 3	363	152	187	2.5
		CR2450W-HO5	Air & Boat	250	Package 3	363	152	187	2.5
		CR2450W-MP1	Air & Boat	250	Package 4	381	155	196	2.5
		CR2477W-HE2	Air & Boat	125	Package 4	363	152	187	2.0
		CR2477W-HO4	Air & Boat	125	Package 4	363	152	187	2.0
	High Drain	CR2032R-HE1	Air & Boat	250	Package 3	363	152	187	1.6
		CR2032R-HO6	Air & Boat	250	Package 3	363	152	187	1.6
CR2450R-HE6		Air & Boat	250	Package 3	363	152	187	2.4	
CR2450R-HO5		Air & Boat	250	Package 3	363	152	187	2.3	

※CR3677Xの包装仕様図は別途お問い合わせください。

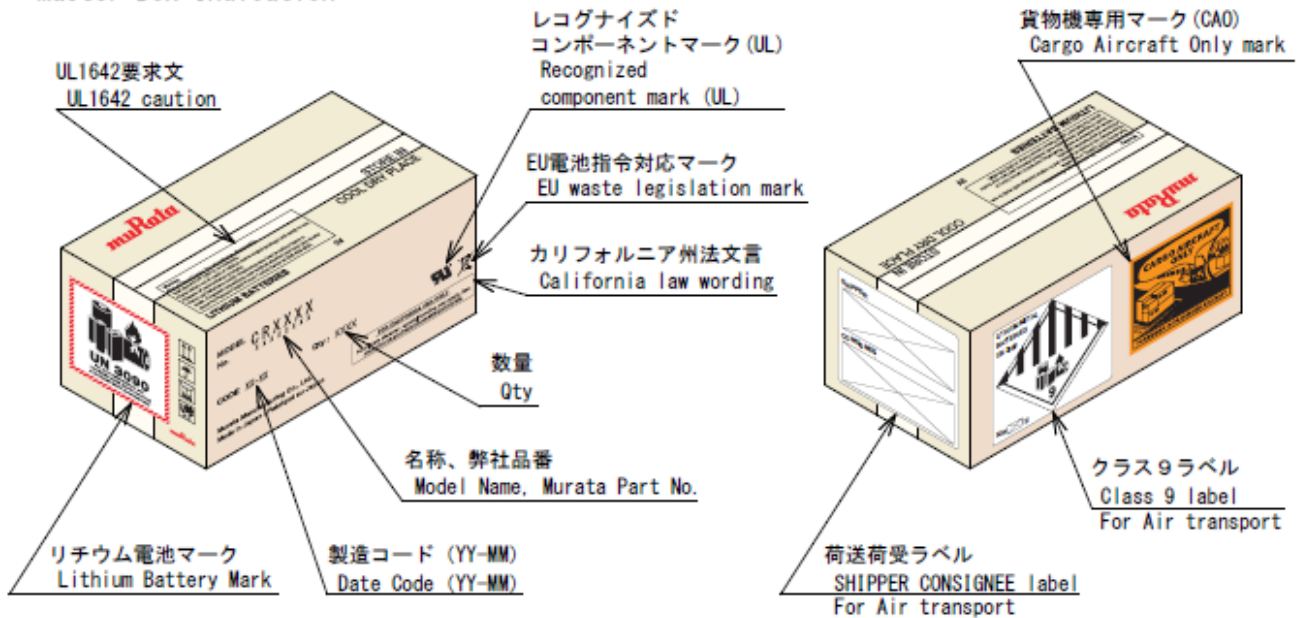
**シュリンクパック**  
Shrink Pack



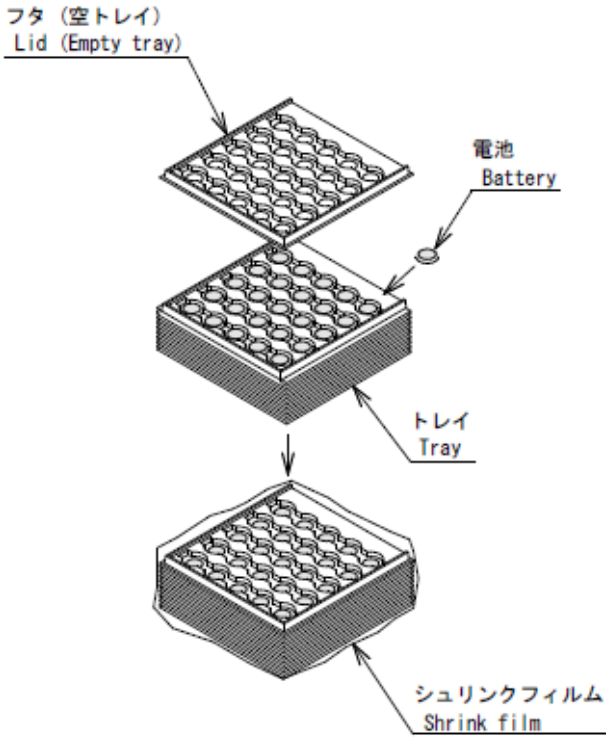
**マスターカートン梱包**  
Master Box Packaging



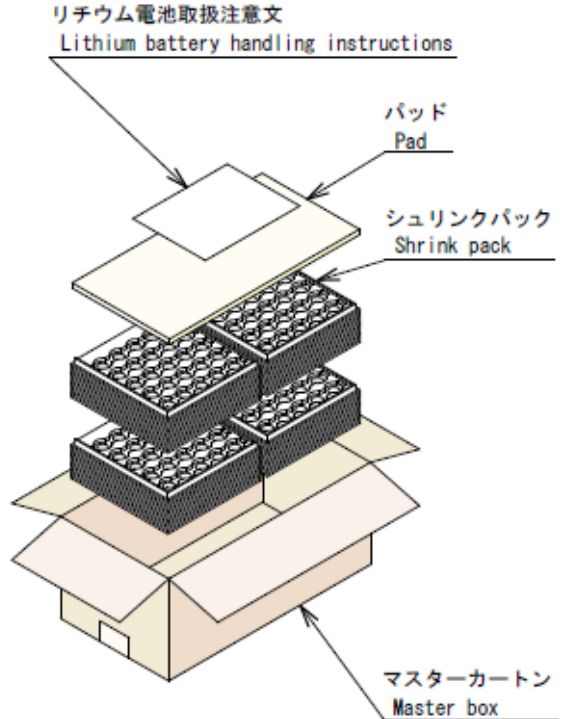
**マスターカートン表示**  
Master Box Indication



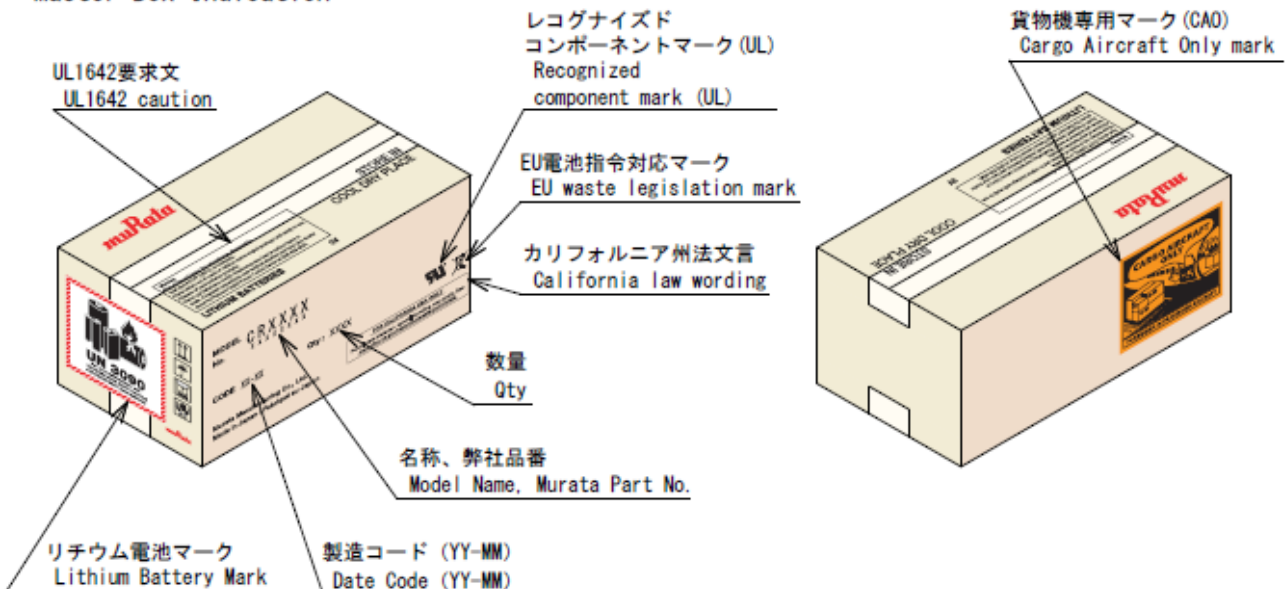
**シュリンクパック**  
Shrink Pack



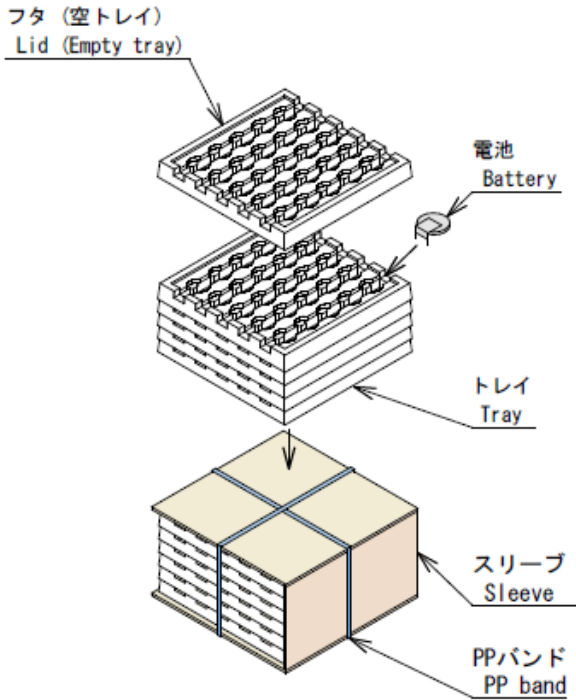
**マスターカートン梱包**  
Master Box Packaging



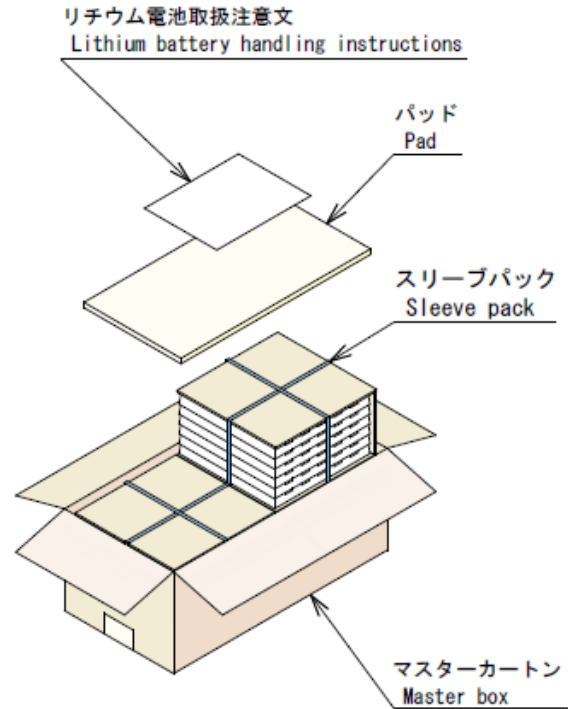
**マスターカートン表示**  
Master Box Indication



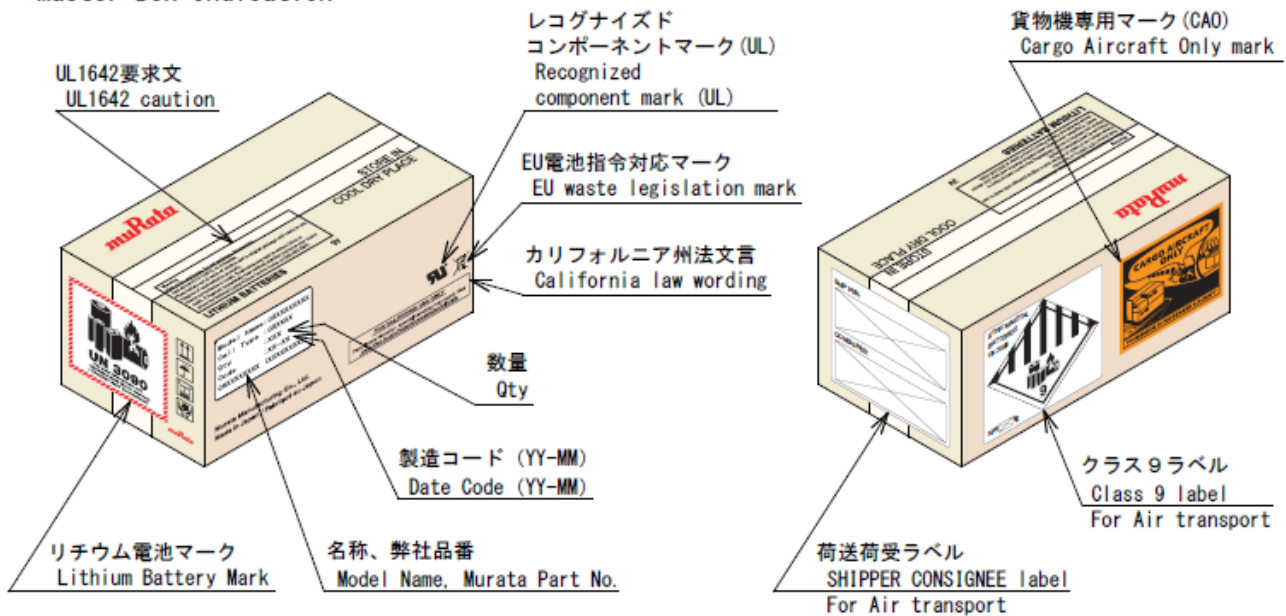
**スリーブパック**  
Sleeve Pack



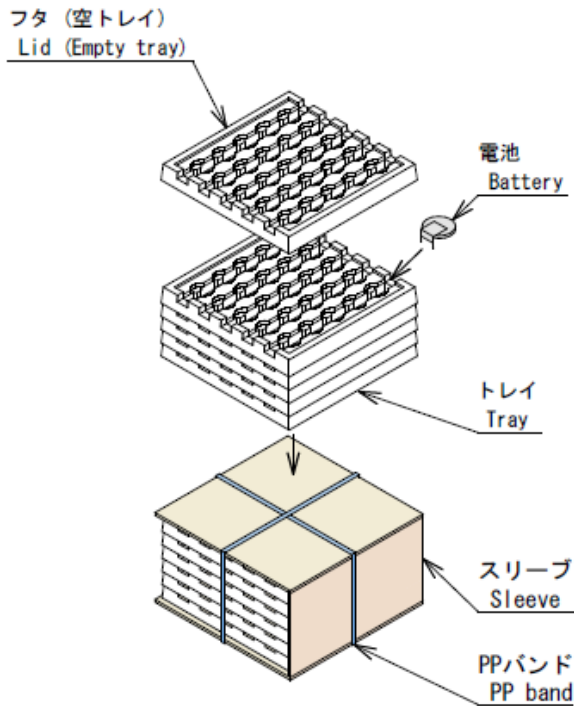
**マスターカートン梱包**  
Master Box Packaging



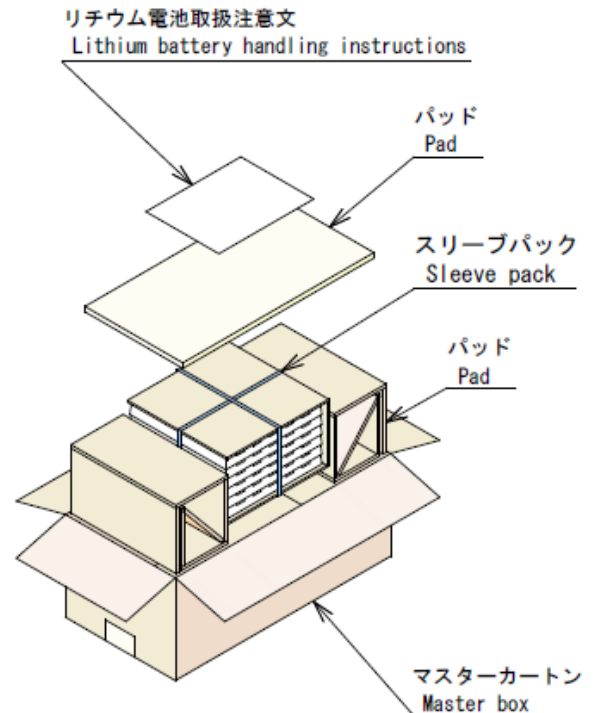
**マスターカートン表示**  
Master Box Indication



**スリーブパック**  
Sleeve Pack



**マスターカートン梱包**  
Master Box Packaging



**マスターカートン表示**  
Master Box Indication

