

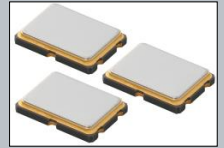
Crystal Filter



XDCAF/ XDCAG / XDCAH series
20 to 150 MHz, 7.0 x 5.0 x 1.1 mm

RoHS

Lead free



Why muRata?

- Customized design
- Free matching service
- Best in class performance

Application

- Walkie-Talkie
- Survey equipment
- Other IF applications...

Series	Size (mm)	Frequency (MHz)
XDCAF	7.0 x 5.0	20 ~ 150
XDCAG		
XDCAH		
XDCBA	3.8 x 3.8	45 ~ 150

Company acquisition of TEW

In Aug. of 2013, Murata acquired TEW (Tokyo Denpa), a leading Japanese crystal maker. TEW brings to Murata more than 80 years of crystal know-how and manufacturing technology, from growing quartz to finished products. Combining TEW's crystal elements with Murata's technology will allow for providing more high quality product, stable supply, and expanded value in the future.

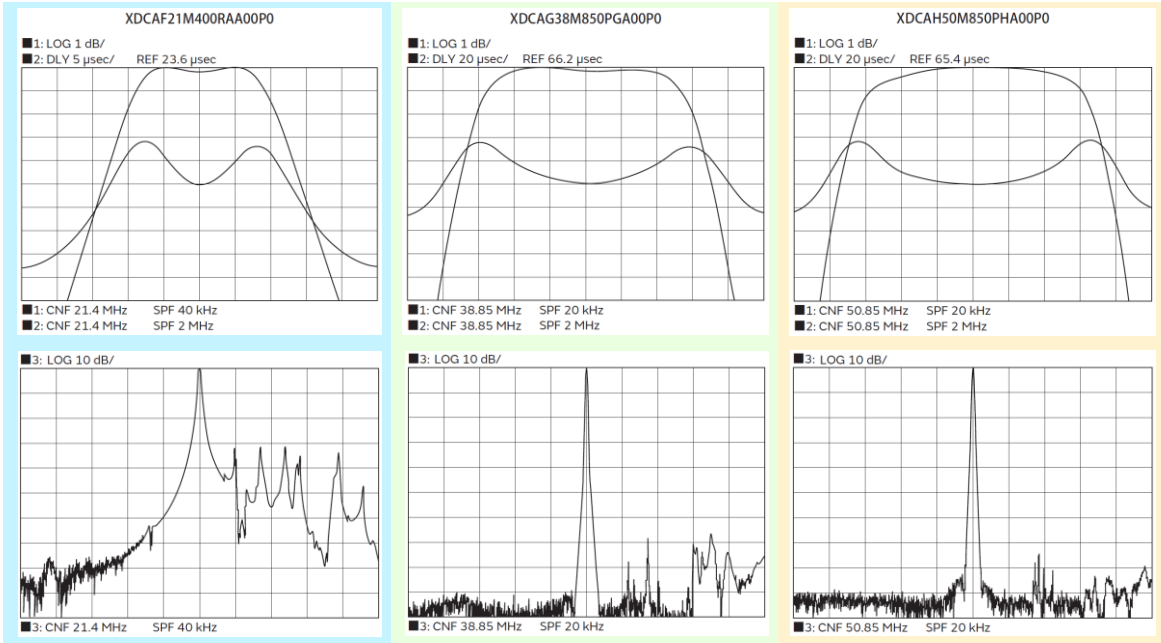


Specifications (High runner frequencies)

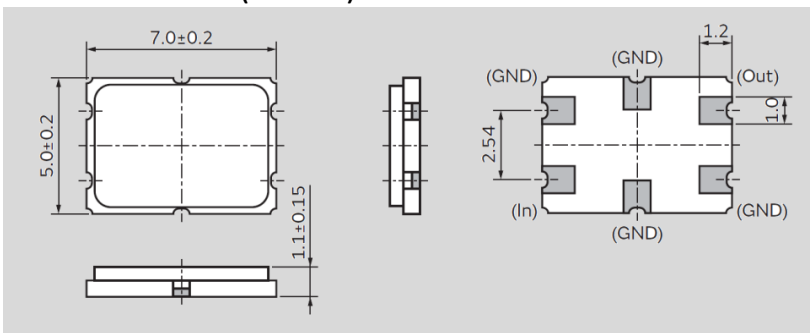
Series	Part Number	Center Frequency (MHz)	Pole	3dB-Pass bandwidth (kHz Min.)	Insertion Loss (dB Max.)	Spurious (dB Min.)	Stop bandwidth (kHz Max.)	Operating Temperature (°C)
XDCAF	XDCAF21M400RAA00P0	21.400	2	±7.5	2.0	10	±25 (@18dB)	-20~+70
	XDCAF21M700MAA00P0	21.700		±3.75	2.0	18	±20 (@18dB)	
XDCAG	XDCAG38M850PGA00P0	38.850	4	±5.0	5.0	40	±25 (@45dB)	
	XDCAG45M000RGA00P0	45.000		±7.5	3.0	40	±25 (@25dB)	
	XDCAG46M350PGA00P0	46.350		±5.0	5.0	40	±20 (@35dB)	
	XDCAG49M950PGA00P0	49.950		±5.0	5.0	40	±20 (@40dB)	
	XDCAG51M650PGA00P0	51.650		±5.0	5.0	40	±12.5 (@25dB)	
	XDCAG58M050MGA00P0	58.050		±4.0	5.0	40	±20 (@38dB)	
XDCAH	XDCAH50M850PHA00P0	50.850	4	±5.0	5.0	60	±25 (@45dB)	
	XDCAH73M350QHA03P0	73.350		±6.0	4.0	60	±25 (@40dB)	

※ Please contact Murata when more detailed information needed.

Characteristics chart



Dimensions (in mm)



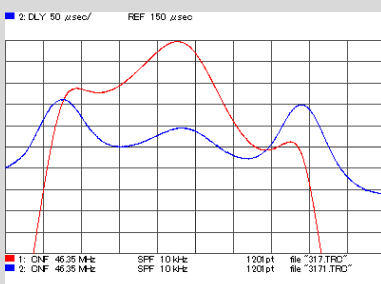
Free matching service

- ✓ SAVE TIME AND EFFORT
- ✓ PROPER PERFORMANCE

Murata offers the circuit matching evaluation support free of charge to get proper filter characteristics

Circuit constants (Example)

<Unmatched Conditions>



<Recommendable Conditions>

