

Quick Start Guide - Type1SC Evaluation Kit

You can use this EVK for Type1SC communication test and power evaluation.

A complete Type1WG/Type1SC EVK User Guide can be found in our my Murata <Type1SC/Type1WG Support Site>

If you have any questions about the support site registration process, please contact our local sales www.murata.com/en-global/support/contactinformation

About Type1SC

- Module Size: 11.4 x 11.1 x 1.5mm
- Connectivity: Cat-M1/NB-IoT
- Interface: UART/SPI/GPIO
- Support GNSS, VoLTE
- 16 MB of flash

What Murata supply

- Type1SC EVK
- Quick Start Guide
- Support Site Access Guide

What customer need

- Windows® OS(XP,7,8,10)
- COM port driver
(CP210xVCPInstaller_x64.exe)
https://www.silabs.com/documents/public/software/CP210x_VCP_Windows.zip
- Command tool(Tera Term)
<https://osdn.net/projects/ttssh2/releases>
- Type Mini USB Cable
- SIM card

How to connect

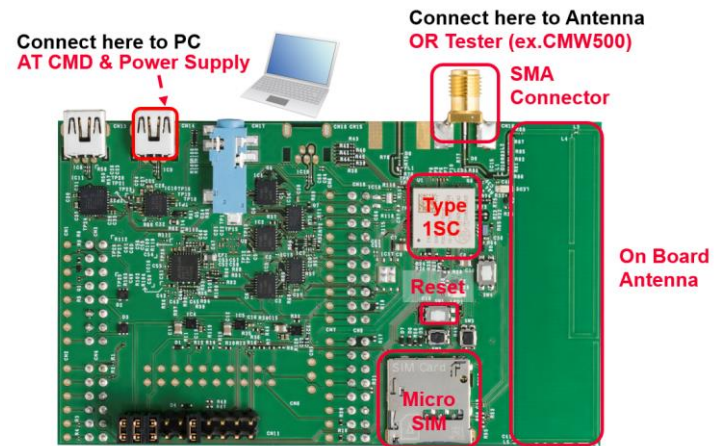


Figure1: EVK appearance

How to use

- Connect the Type1SC EVK to PC(Figure1)
- Setup Tera Term(Figure2).

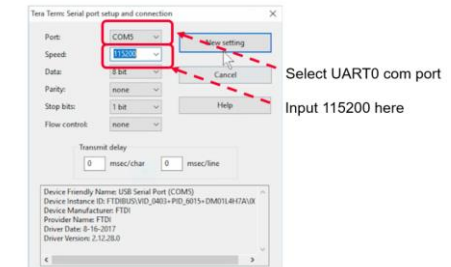


Figure2: Tera Term Configuration Window

- Confirm the log from Tera Term(Figure3)
(Input "at" then you can see "OK" as a response)
- You can use AT commands to control Type1SC



Figure3: Tera Term Command Window

- About AT command details, please refer to my Murata <Type1SC/Type1WG Support Site> web site