

# Quick Start Guide - Type1WG Evaluation Kit

You can use this EVK for Type1WG communication test and power evaluation.

A complete Type1WG/Type1SC EVK User Guide can be found in our my Murata <Type1SC/Type1WG Support Site>

If you have any questions about the support site registration process, please contact our local sales [www.murata.com/en-global/support/contactinformation](http://www.murata.com/en-global/support/contactinformation)

## About Type1WG

- Module Size: 12.2 x 12 x 1.6mm
- Connectivity: Cat-M1/NB-IoT
- Interface: UART/SPI/GPIO
- Support GNSS, VoLTE
- 16 MB of flash

## What Murata supply

- Type1WG EVK
- Quick Start Guide
- Support Site Access Guide

## What customer need

- Windows® OS(XP,7,8,10)
- COM port driver  
(CP210xVCPInstaller\_x64.exe)  
[https://www.silabs.com/documents/public/software/CP210x\\_VCP\\_Windows.zip](https://www.silabs.com/documents/public/software/CP210x_VCP_Windows.zip)
- Command tool(Tera Term)  
<https://osdn.net/projects/ttssh2/releases>
- Type Mini USB Cable
- SIM card

## How to connect

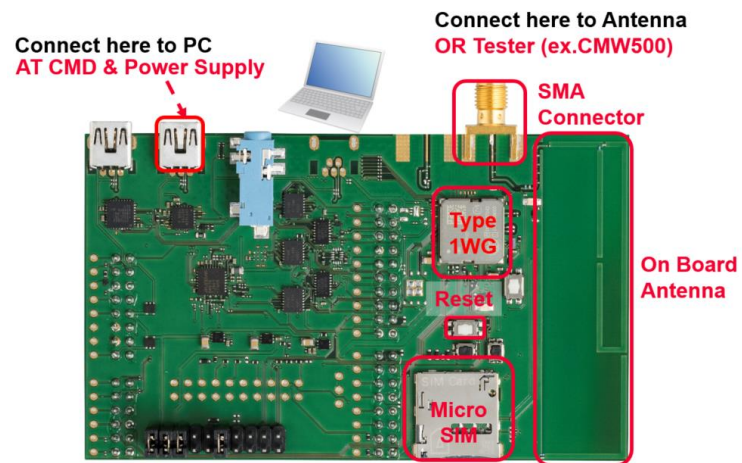


Figure1: EVK appearance

## How to use

- Connect the Type1WG EVK to PC(Figure1)
- Setup Tera Term(Figure2).

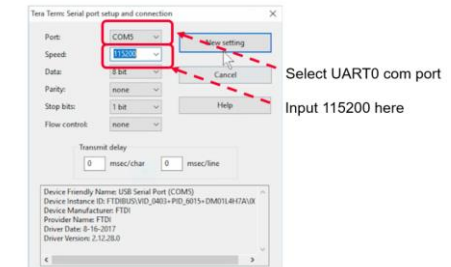


Figure2: Tera Term Configuration Window

- Confirm the log from Tera Term(Figure3)  
(Input "at" then you can see "OK" as a response)
- You can use AT commands to control Type1WG

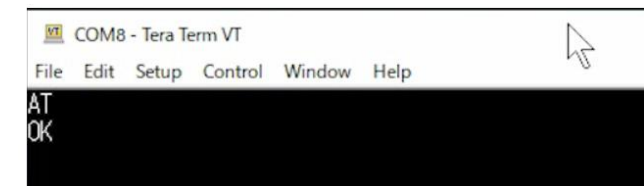


Figure3: Tera Term Command Window

- About AT command details, please refer to my Murata <Type1SC/Type1WG Support Site> web site