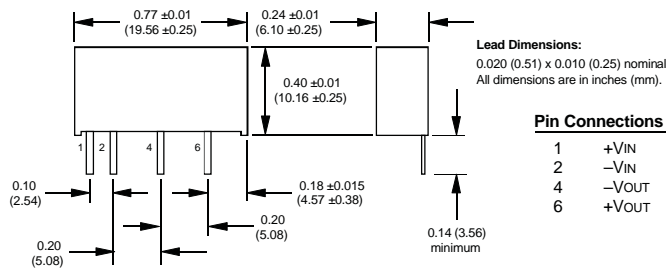


### Isolated:

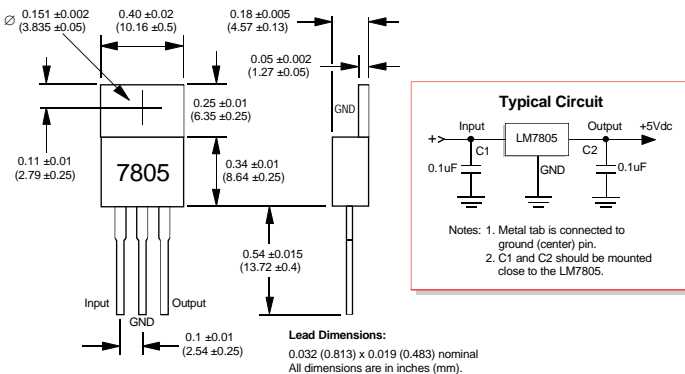
# Discontinued

These miniature, 5V-output dc/dc converters are ideal for applications requiring isolation between the input signal being measured and the panel meter's +5V power source. They can eliminate common mode voltages up to 750V. A popular application requiring isolation is high-side, current-shunt, dc ammeters (see DMS Ap Note 6 for information on dc ammeters). Any 5V-powered, 3½ digit, DMS Series meter whose supply current does not exceed 225mA may be powered from these converters. Low-noise operation can be obtained in most 4½ digit meter applications by simply adding filter components to the converter's output pins.



### Non-Isolated:

The LM7805CT (Murata part number 39-0304000) is a highly reliable, three-terminal IC regulator that provides a non-isolated +5V output from input voltages between +7.5 and +28Vdc. However, when it is used to power Murata DMS Series panel meters, the allowable operating input voltage applied to the LM7805CT should not exceed the ranges specified in the table below. The LM7805CT can be used with the DMS-EB, DMS-EB2 and DMS-EB-DC/DC application boards; each board is pre-wired to accept the regulator. Refer to each board's data sheet for more information. Please consult Murata's Application Engineers if you have any questions regarding the use of dc/dc converters with any DMS Series meter.



### Electrical Specifications (Isolated)

Murata Part No./Marking	Nominal Input Voltage	Input Current	
		Min. Load	Max. Load
39-0276600/HPR100	+5Vdc	20mA	216mA
39-0276715/HPR106	+12Vdc	10mA	90mA
39-0276610/HPR118	+24Vdc	8mA	44mA

Input Range	Conditions	Min.	Typ.	Max.	Units
39-0276600		+4.5	+5	+5.5	Vdc
39-0276715		+10.8	+12	+13.2	Vdc
39-0276610		+21.6	+24	+26.4	Vdc

### Output

Rated Current		—	150	—	mA
Voltage Setpoint	Rated load, nom. VIN	+4.75	+5.0	+5.5	Vdc
Ripple and Noise	BW=dc to 10MHz	—	45	—	mVp-p
	BW=10Hz to 2MHz	—	30	—	mVrms

### Isolation

Rated Voltage		750	—	—	Vdc
Test Voltage	60Hz, 10 seconds	750	—	—	Vpk
Leakage Current	Viso=240Vac, 60Hz	—	2	8.5	µArms

### Temperature

Operating		-25	—	+85	°C
Storage		-40	—	+110	°C

### Absolute Maximum Ratings

Internal Power Dissipation	450mW
Output Short-Circuit Duration	1 second
Lead Temperature (soldering, 10 seconds max.)	+300°C

### Electrical Specifications (Non-Isolated)

Input Range	Min.	Typ.	Max.	Units
Input Voltage	+7.5	—	+28	Vdc

### Output @+25°C

Output Voltage	+4.75	+5.0	+5.5	Vdc
Output Current	—	—	1000	mA

### Maximum Input ①

DMS-20PC-X-XS	+7.5	—	+12.6	Vdc
DMS-20PC-X-XL	+7.5	—	+24.0	Vdc
DMS-30PC-X-XS	+7.5	—	+12.6	Vdc
DMS-30PC-X-XL	+7.5	—	+18.0	Vdc
DMS-30LCD-X-5(B)	+7.5	—	+18.0	Vdc

### Temperature

Operating		-25	—	+85	°C
Storage		-40	—	+110	°C

① When used with the following DMS Series panel meters up to +60°C max.



For full details go to  
[www.murata-ps.com/rohs](http://www.murata-ps.com/rohs)

Murata Power Solutions, Inc.  
11 Cabot Boulevard, Mansfield, MA 02048-1151 U.S.A.  
ISO 9001 and 14001 REGISTERED



**This product is subject to the following operating requirements and the Life and Safety Critical Application Sales Policy:**  
Refer to: <http://www.murata-ps.com/requirements/>

Murata Power Solutions, Inc. makes no representation that the use of its products in the circuits described herein, or the use of other technical information contained herein, will not infringe upon existing or future patent rights. The descriptions contained herein do not imply the granting of licenses to make, use, or sell equipment constructed in accordance therewith. Specifications are subject to change without notice.  
© 2015 Murata Power Solutions, Inc.