

**OBSOLETE PRODUCT**

Contact Factory for Replacement Model

**ABSOLUTE MAXIMUM RATING ②**

**Input Voltage:**

5 VDC Models	9 VDC
12 VDC Models	18 VDC
24 VDC Models	30 VDC

<b>Output Short Circuit Duration</b>	Momentary
<b>Internal Power Dissipation</b>	0.45W

**ELECTRICAL SPECIFICATIONS**

**Input Specifications:**

Input Voltage Range	±10%
Input Filter	Internal Capacitor

**Output Specifications:**

Output Voltage Accuracy	±3%, Max.
Ripple & Noise (20 MHz BW) ①	50 mV Pk-Pk
Line Regulation LL-HL	See Ordering Information
Load Regulation 20% L-FL	See Ordering Information
Minimum Load	10% of Full Load
Temperature Coefficient @ FL	±0.02%/°C
Short Circuit Protection	Momentary

**General Specifications:**

Efficiency	See Ordering Information
Isolation Voltage (1 min)	1000 VDC
Isolation Capacitance	60 pF
Isolation Resistance	109 W
Switching Frequency	100 kHz

**Environmental Specifications:**

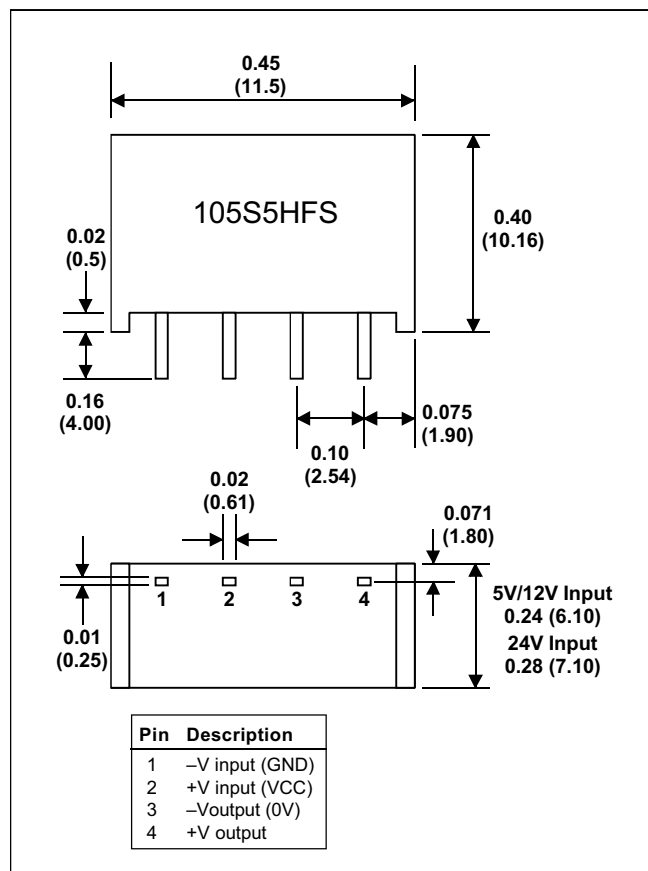
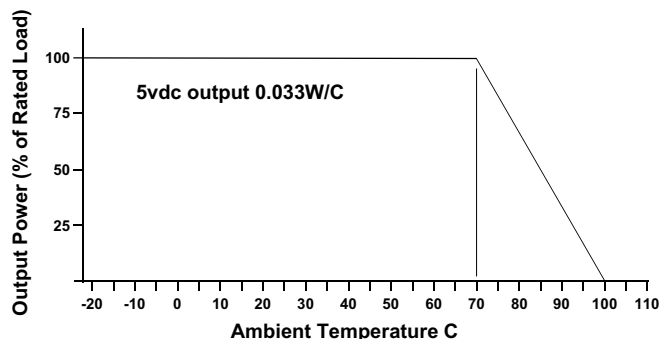
Operating Temperature Range	-25°C to +75°C
Storage Temperature Range	-40°C to +125°C
Derating	See Derating Curve
Humidity	Up to 95%, (non-condensing)
Cooling	Free-air Convection

**Physical Characteristics:**

Size: 5V/12V Input	0.45 x 0.24 x 0.40 inches (11.5 x 6.1 x 10.2 mm)
24V Input	0.45 x 0.28 x 0.40 (11.5 x 7.1 x 10.2)
Weight: 5V/12V Input	0.04 Oz (1.3g)
24V Input	0.05 Oz (1.7g)
Case Material	Non-Conductive Black Plastic

**Specification Notes:**

- Ripple and Noise is specified at 100 mV Pk-Pk.
- Absolute Maximum Ratings are specification limits that, if exceeded, could permanently damage the unit. These are not continuous operating ratings. Specifications typical @ +25°C with nominal input voltage and under full output load conditions, unless otherwise noted. Specifications subject to change without notice.



**ORDERING INFORMATION**

DATEL Part #	Marking	Input			Output		Regulation		Efficiency @FL (%)
		Voltage (VDC)	Current (mA)		Voltage (VDC)	Current (mA)	Line %/ % V <sub>IN</sub> Max	Load %Max	
			No Load	Full Load					
39-0276550	105S5HFS	5	27	290	5.0	200	1.4	11	69
39-0276552	105S12HFS	12	13	117	5.0	200	1.3	9	71
39-0276551	105S24HFS	24	8	60	5.0	200	1.3	8	70

Murata Power Solutions, Inc.  
11 Cabot Boulevard, Mansfield, MA 02048-1151 U.S.A.  
ISO 9001 and 14001 REGISTERED

Murata Power Solutions, Inc. makes no representation that the use of its products in the circuits described herein, or the use of other technical information contained herein, will not infringe upon existing or future patent rights. The descriptions contained herein do not imply the granting of licenses to make, use, or sell equipment constructed in accordance therewith. Specifications are subject to change without notice. © 2009 Murata Power Solutions, Inc.

