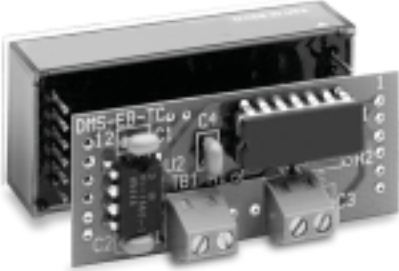


Discontinued



FEATURES

- LDisplays -50 to +200°C range
- Interfaces with type J or K type thermocouples
- Typical accuracies as low as ±1.5°C
- Use with:
DMS-30PC-1-RL
DMS-30LCD-1-5

PRODUCT OVERVIEW

Description: The DMS-EB-TCJ and DMS-EB-TCK Application Boards interface type J or K thermocouples to Murata Power Solutions' low-power, ±2V input, DMS-30PC-1-RL or DMS-30LCD-1-5 digital voltmeters. These low-cost add-on boards provide a quick easy method of displaying temperature (in degrees Celsius only) within a -50 to +200°C range.

Installation: A screw-type terminal block (TB1) accepts direct thermocouple inputs and provides quick connection for the +5V power supply. All necessary I/O connections for the meter — including activation of the correct decimal point — are built-in. Simply solder the board to the meter, connect the appropriate thermocouple, and the installation is complete. Using low-power meters, with either LCD or LED displays, will maintain uniform temperatures across the board and keep temperature-gradient induced errors to a minimum.

Accuracy: As the accuracy specifications indicate, the DMS-EB-TCJ and TCK boards are for general-purpose temperature monitoring over the range of -50 to +200°C. However, fairly high accuracy can be obtained with K thermocouples from 0 to +200°C. For higher accuracy temperature readings, see the DMS-EB-HTB.

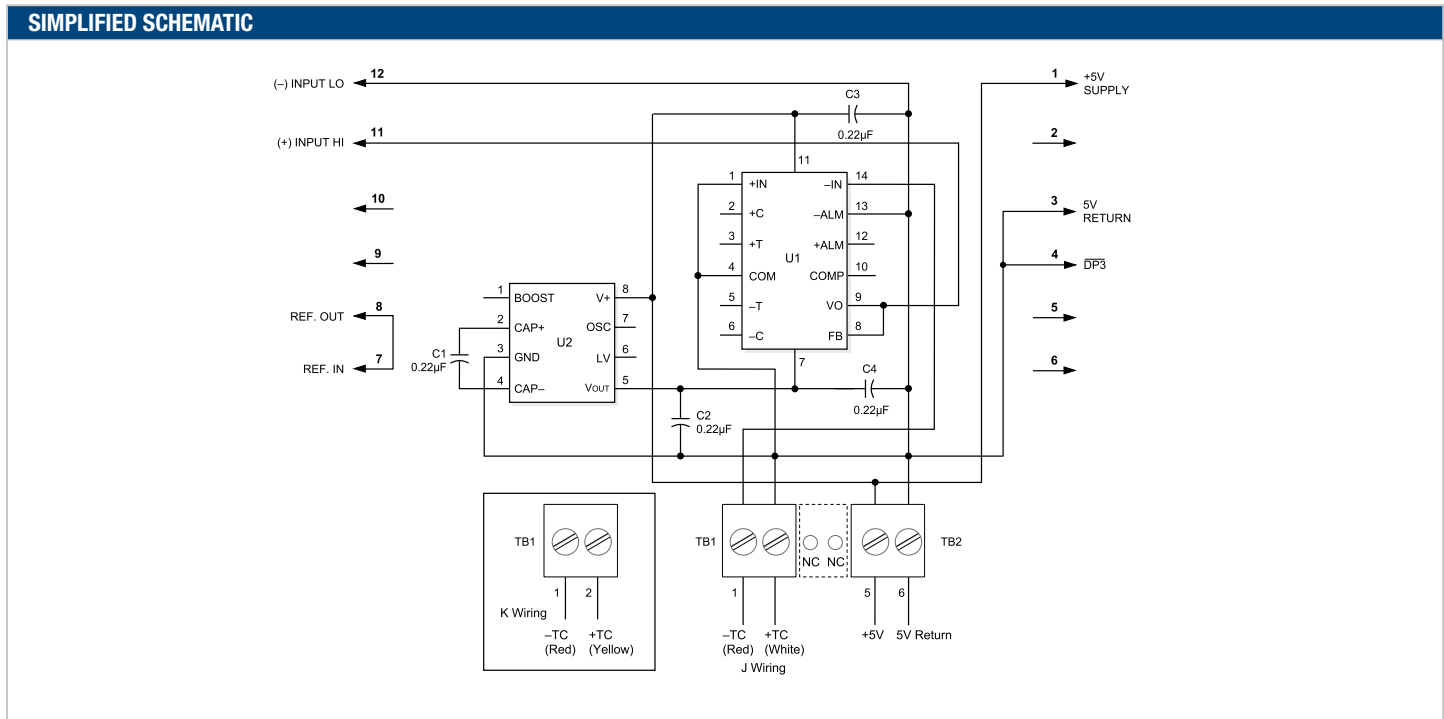
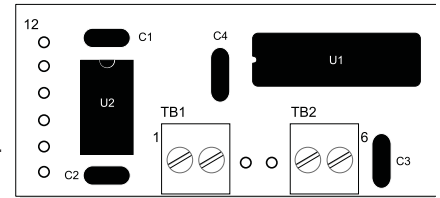


Figure 1. DMS-EB-TCJ/TCK Schematic Diagram



Performance/Functional Specifications

(TA = +25°C, VCC = +5V)

Sensors	Type J and K thermocouples
Temperature Measurement Range	-50 to +200°C
Accuracy: DMS-EB-TCJ	
-50 to 0°C	±6°C typ., ±10°C max.
0 to +200°C	±4°C typ., ±8°C max.
Accuracy: DMS-EB-TCK	
-50 to 0°C	±6°C typ., ±10°C max.
0 to +200°C	±1.5°C typ., ±3°C max.
Primary Operating Power	+5V (±5%)
Input Current (Board only)	+0.6mA typ., +1mA max.
Operating Temperature Range	0 to +60°C
Storage Temperature Range	-20 to +75°C
Humidity	0 to 95%, non-condensing
Dimensions	2.02" (51.31mm)L x 0.83" (21.08mm)W

Ordering Information

Model

DMS-EB-TCJ	Type J thermocouple input board
DMS-EB-TCK	Type K thermocouple input board
DMS-BZL1	Bezel assembly
DMS-BZL2	Bezel assembly with sealing gasket

Murata Power Solutions, Inc.
 11 Cabot Boulevard, Mansfield, MA 02048-1151 U.S.A.
 ISO 9001 and 14001 REGISTERED



This product is subject to the following operating requirements and the Life and Safety Critical Application Sales Policy:
 Refer to: <http://www.murata-ps.com/requirements/>

Murata Power Solutions, Inc. makes no representation that the use of its products in the circuits described herein, or the use of other technical information contained herein, will not infringe upon existing or future patent rights. The descriptions contained herein do not imply the granting of licenses to make, use, or sell equipment constructed in accordance therewith. Specifications are subject to change without notice.
 © 2015 Murata Power Solutions, Inc.