



### FEATURES

- Automatic Transfer Switch (ATS) for MWOCS-192
- Operates from AC 3-phase Delta or Wye
- ATS function is achieved with QTY 2 ATS modules
- Remote monitoring capability via MWOC-RMU-2
- Hot swappable
- LED Status Indicator
- Self-check function included



For full details go to:  
[www.murata-ps.com/rohs](http://www.murata-ps.com/rohs)



MWOC-ATS-1 and MWOC-ATS-3 models

UL certification applies to the complete system. The ATS component is designed to support system level UL requirements

### PRODUCT OVERVIEW

MWOC-ATS is an Automatic Transfer Switch (ATS) that work in pairs to support specific Murata shelves by providing a means to automatically switch over from one AC source to another when the selected AC source becomes unreliable or unavailable. MWOC-ATS is hot swappable, includes a status LED, is able to be monitored via the RMU module and is offered in a variety of configurations to support a wide range of applications.

### ORDERING GUIDE

Part Number	Function	Applicable shelf
MWOC-ATS-1	ATS switch for 3-phase Delta Connections (without Neutral)	MWOCS-192-A
MWOC-ATS-2 <sup>1</sup>	ATS switch for 3-phase Wye Connection (with Neutral)	MWOCS-192-G
MWOC-ATS-3	ATS bypass for 3-phase Delta Connections (without Neutral)	MWOCS-192-A
MWOC-ATS-4 <sup>1</sup>	ATS bypass for 3-phase Wye Connection (with Neutral)	MWOCS-192-G
MWOC-ATS-B <sup>2</sup>	Blank panel for ATS	MWOCS-192

<sup>1</sup> Contact Murata for availability

<sup>2</sup> MWOC-ATS-B are available as a pair with MWOC-ATS-3 or MWOC-ATS-4 deployments.

### INPUT CHARACTERISTICS

Parameter	Conditions	Min.	Nom.	Max.	Units
Input voltage	line to line (MWOC-ATS-1)	180	200/208/240	264	Vac
	line to line (MWOC-ATS-2)	347	346/400/415	457	
Input frequency	reserved for future use	47	50/60	63	Hz
Input current				63 <sup>3</sup>	A

<sup>3</sup>Maximum current is restricted to the related shelf's maximum input current.

### OUTPUT CHARACTERISTICS

Parameter	Conditions	Min.	Typ.	Max.	Units
Output Power (With PSUs)	With six (6) PSUs	0		15,000	W
	With five (5) PSUs	0		12,500	
	With four (4) PSUs	0		10,000	
	With three (3) PSUs	0		7,500	
	With two (2) PSUs	0		5,000	
	With one (1) PSU	0		2,500	
Output Current (With PSUs)	With six (6) PSUs	0		1,220	A
	With five (5) PSUs	0		1,016	
	With four (4) PSUs	0		813	
	With three (3) PSUs	0		610	
	With two (2) PSUs	0		407	
	With one (1) PSU	0		203	

### ENVIRONMENTAL CHARACTERISTICS

Parameter	Conditions	Min.	Nom.	Max.	Units
Storage temperature range		-40		70	°C
Operating temperature range		0		40	°C
Storage humidity	Non-condensing	5		90	%
Operating humidity	Non-condensing	5		85	%
Altitude (without derating at 40°C)				3,000	m
MTBF	Per Telcordia SR-332 M1C1 @ 40°C	400k			hrs
Transition time	15kW (5+1 PSU) <sup>4</sup>			14.4	ms
Shock	30G non-operating				
Vibration	Operating, random vibration, 5-500Hz 1.11G				
Weight (MWOC-ATS-1)	1.5 Kg (Nom)				
Weight (MWOC-ATS-3)	1 Kg (Nom)				

<sup>4</sup>Varies by load and PSU QTY installed. Refer to [performance data](#) for details.

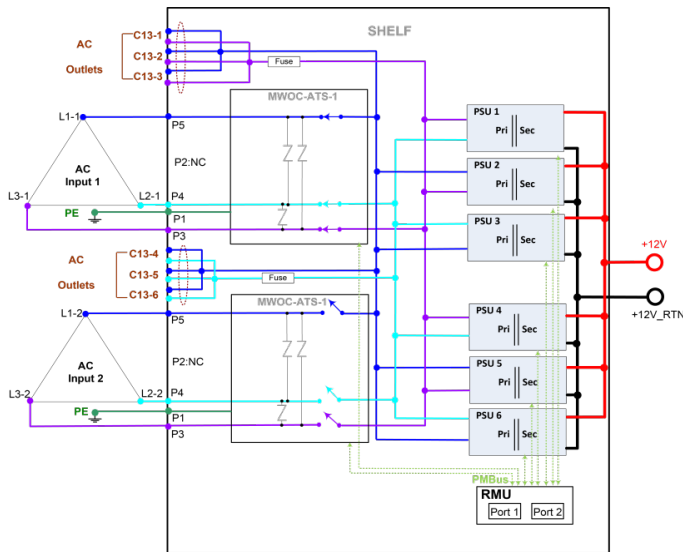
## LED STATUS INDICATORS



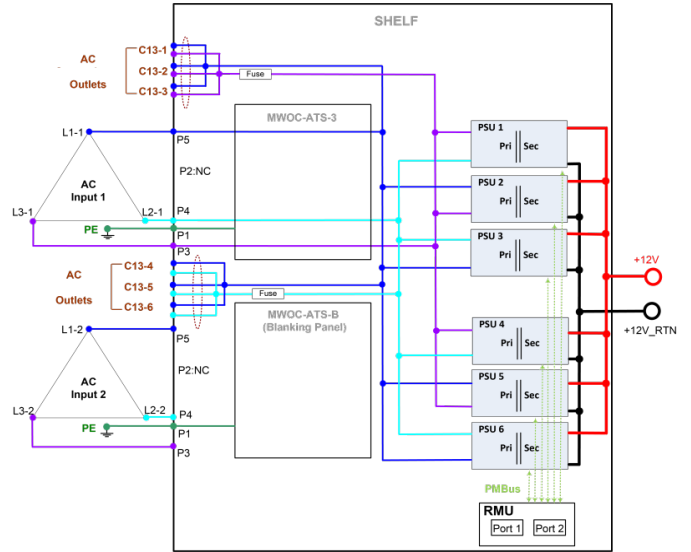
LED	Color	STATUS
Input	Green	AC input is present: ON; AC input is not present: OFF
Output	Green	Switch ON: ON; Switch OFF: OFF
Fault	Amber	Under fault condition: ON; Under normal operation: OFF

## INTERNAL CONNECTION DEPLOYED WITH ATS

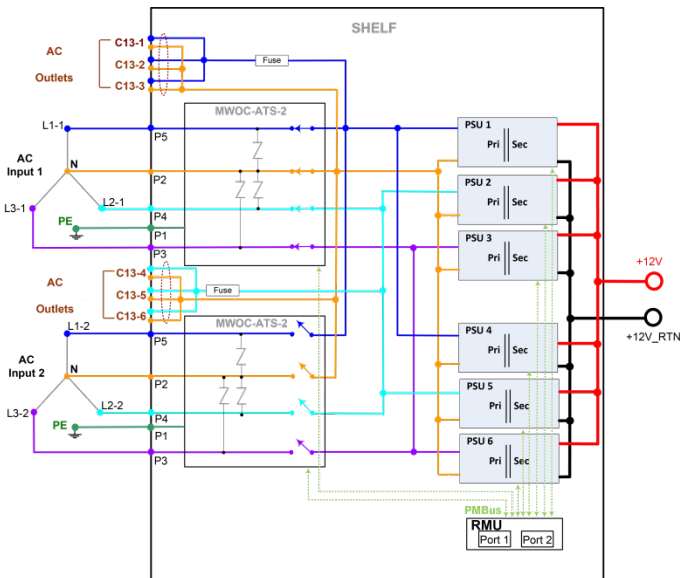
MWOCES-192-A (Delta) with MWOC-ATS-1



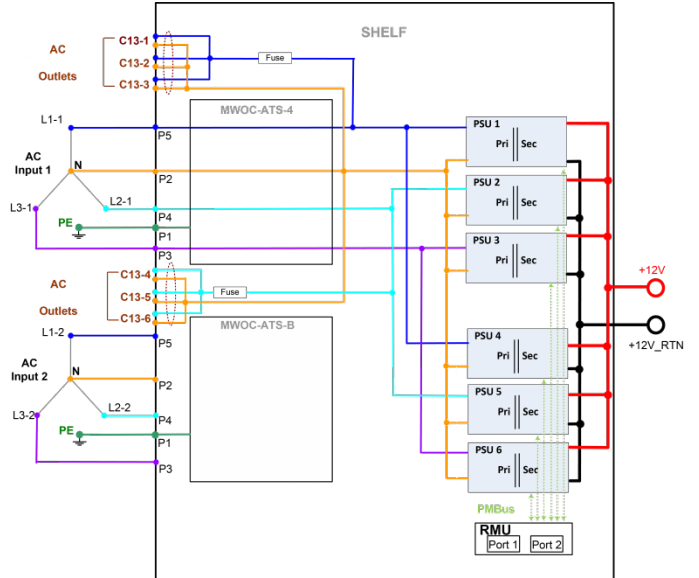
MWOCES-192-A (Delta) with MWOC-ATS-3



MWOCES-192-G (Wye) with MWOC-ATS-2

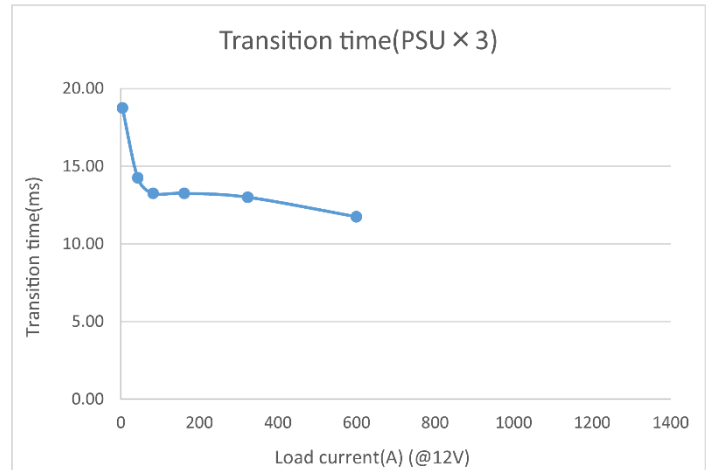
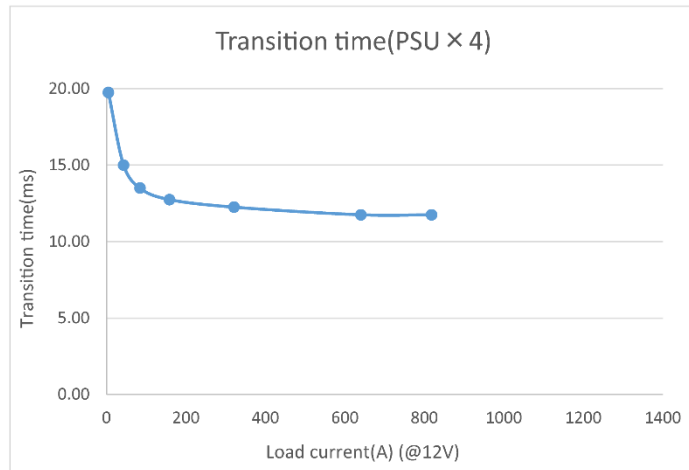
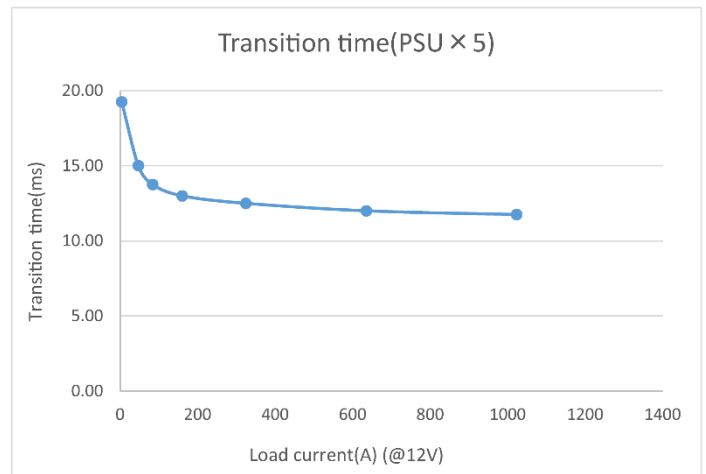
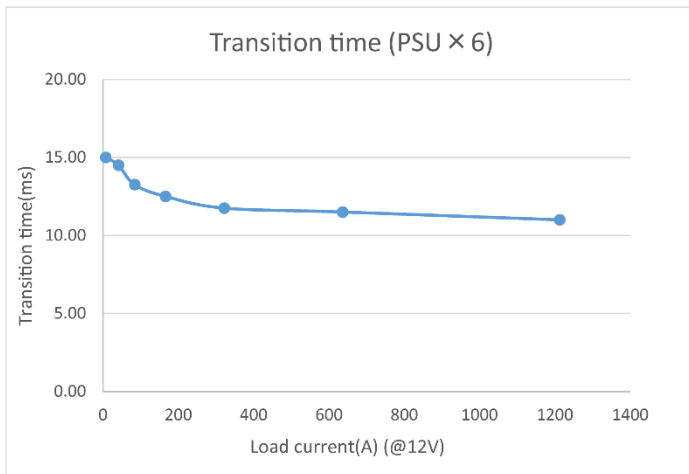


MWOCES-192-G (Wye) with MWOC-ATS-4



## PERFORMANCE DATA

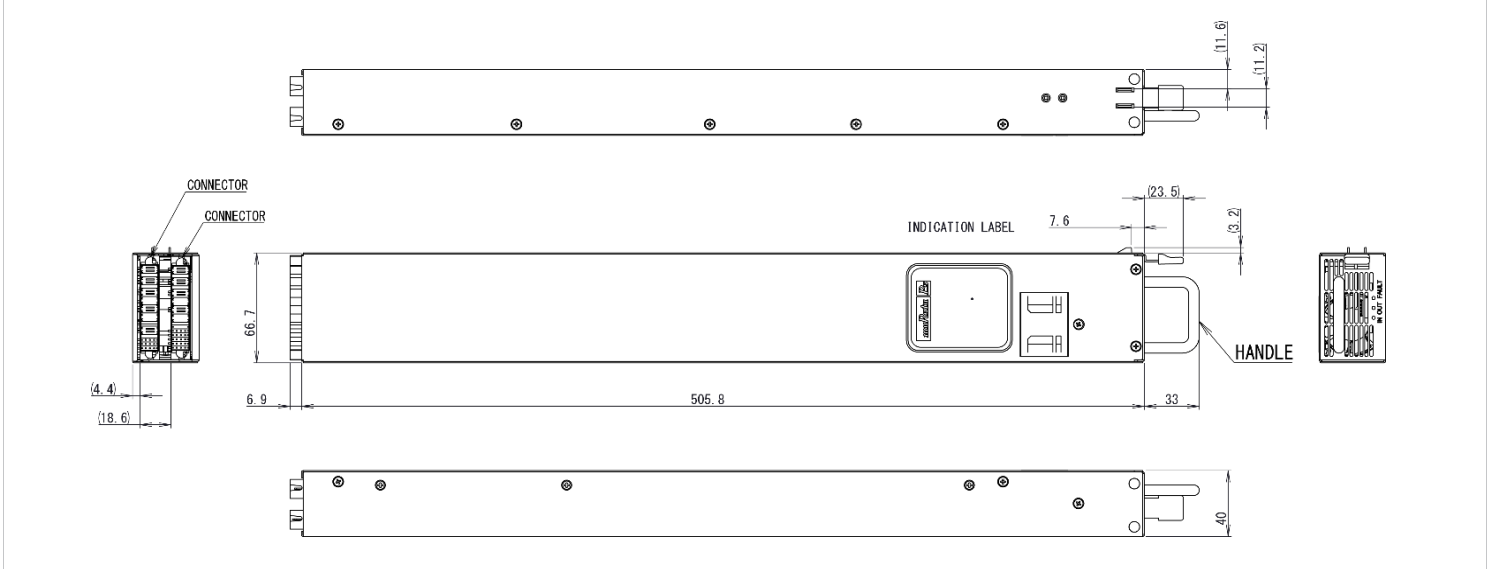
### Transition Timing



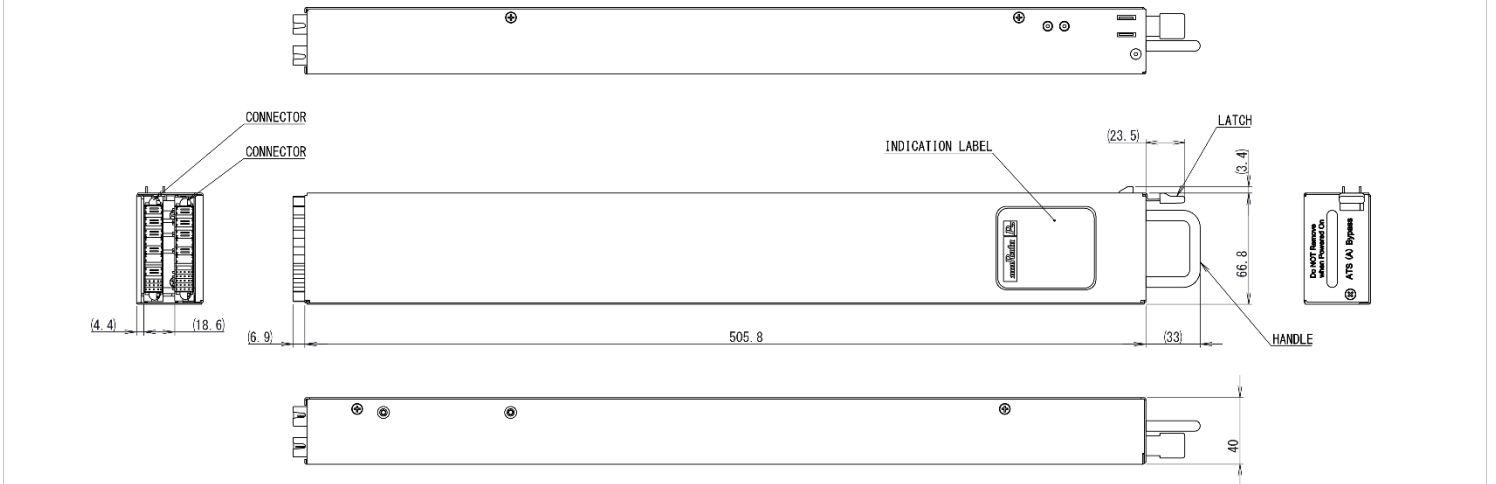
[Link Back to Front page](#)

**MECHANICAL DRAWING**

**MWOC-ATS-1**



**MWOC-ATS-3**



**RELATED PRODUCT DATASHEETS**

Document Number	Description	Link
MWOCES-192	21" OCP POWER SHELF	URL Link to: <a href="#">Datasheet</a>
MWOC74-3000-A-RM	3KW AC-DC FRONT END PSU MODULE	URL Link to: <a href="#">Datasheet</a>
MWOC-RMU	MONITOR AND CONTROL UNIT	URL Link to: <a href="#">Datasheet</a>
MWOC_Blanking_Panels	BLANKING PANEL ACCESSORIES	URL Link to: <a href="#">Datasheet</a>

Murata Power Solutions, Inc.  
129 Flanders Road  
Westborough, MA 01581  
ISO 9001 and 14001 REGISTERED



This product is subject to the following operating requirements and the Life and Safety Critical Application Sales Policy. Refer to: <https://www.murata-ps.com/requirements/>

Murata Power Solutions, Inc. ("Murata") makes no representation that the use of its products in the circuits described herein, or the use of other technical information contained herein, will not infringe upon existing or future patent rights. The descriptions contained herein do not imply the granting of licenses to make, use, or sell equipment constructed in accordance therewith. Buyer represents and agrees that it has all the necessary expertise to create and implement safeguards that anticipate dangerous consequences of failures, monitor failures and their consequences, lessen the likelihood of failures that might cause harm, and take appropriate remedial actions. Buyer will fully indemnify Murata, its affiliated companies, and its representatives against any damages arising out of the use of any Murata products in safety-critical applications. Specifications are subject to change without notice.

© 2020 Murata Power Solutions, Inc.