



FEATURES

- Automatic Transfer Switch (ATS) for MWOCES-192
- Operates from AC 3-phase Delta or Wye
- ATS function is achieved with QTY 2 ATS modules
- Remote monitoring capability via MWOC-RMU-2
- Hot swappable
- LED Status Indicator

PRODUCT OVERVIEW

MWOC-ATS is an Automatic Transfer Switch (ATS) that work in pairs to support specific Murata shelves by providing a means to automatically switch over from one AC source to another when the selected AC source becomes unreliable or unavailable. MWOC-ATS is hot swappable, includes a status LED, is able to be monitored via the RMU module and is offered in a variety of configurations to support a wide range of applications.

ORDERING GUIDE

Part Number	Function	Applicable shelf
MWOC-ATS-1	ATS switch for 3-phase Delta Connections (without Neutral)	MWOCES-192-A
MWOC-ATS-2 ¹	ATS switch for 3-phase Wye Connection (with Neutral)	MWOCES-192-G
MWOC-ATS-3	ATS bypass for 3-phase Delta Connections (without Neutral)	MWOCES-192-A
MWOC-ATS-4 ¹	ATS bypass for 3-phase Wye Connection (with Neutral)	MWOCES-192-G
MWOC-ATS-B ²	Blank panel for ATS	MWOCES-192

¹ Contact Murata for availability

² MWOC-ATS-B are available as a pair with MWOC-ATS-3 or MWOC-ATS-4 deployments.

INPUT CHARACTERISTICS

Parameter	Conditions	Min	Nom	Max	Units
Input voltage	line to line (MWOC-ATS-1)	180	200/208/240	264	Vac
	line to line (MWOC-ATS-2)	347	346/400/415	457	
Input frequency	reserved for future use	47	50/60	63	Hz
Input current				63	A

ENVIRONMENTAL CHARACTERISTICS

Parameter	Conditions	Min	Nom	Max	Units
Storage temperature range		-40		70	°C
Operating temperature range		0		40	°C
Storage humidity	Non-condensing	5		90	%
Operating humidity	Non-condensing	5		85	%
Altitude (without derating at 40°C)				3,000	m
MTBF	Per Telcordia SR-332 M1C1 @ 40°C	400k			hrs
Transition time	15kW (5+1PSU)			14.4	ms
Shock	30G non-operating				
Vibration	Operating, random vibration, 5-500Hz 1.11G				
Weight (MWOC-ATS-1)	1.5 Kg (Nom)				
Weight (MWOC-ATS-3)	1 Kg (Nom)				

LED STATUS INDICATORS



Input Output Fault

LED	Color	STATUS
Input	Green	AC input is present: ON; AC input is not present: OFF
Output	Green	Switch ON: ON; Switch OFF: blinking
Fault	Amber	Under fault condition: ON; Under normal operation: OFF



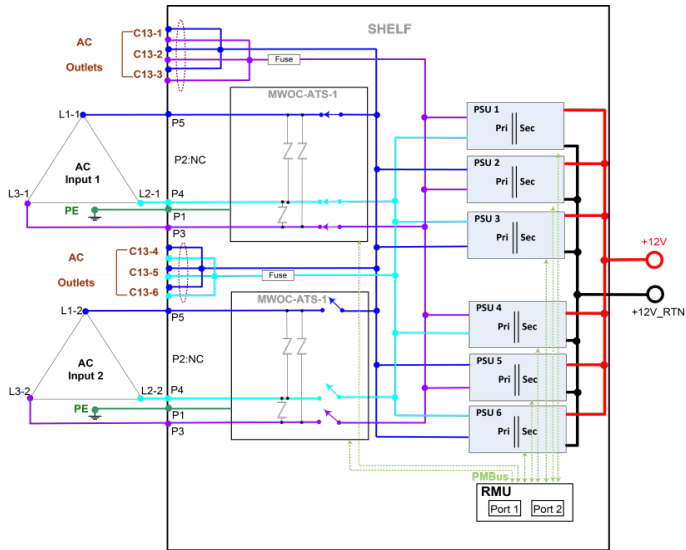
MWOC-ATS-1 and MWOC-ATS-3 models



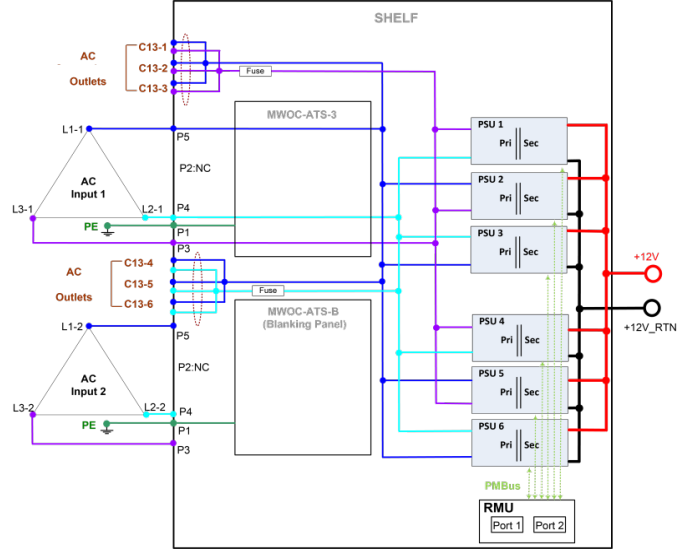
For full details go to
www.murata-ps.com/rohs

INTERNAL CONNECTION DEPLOYED WITH ATS

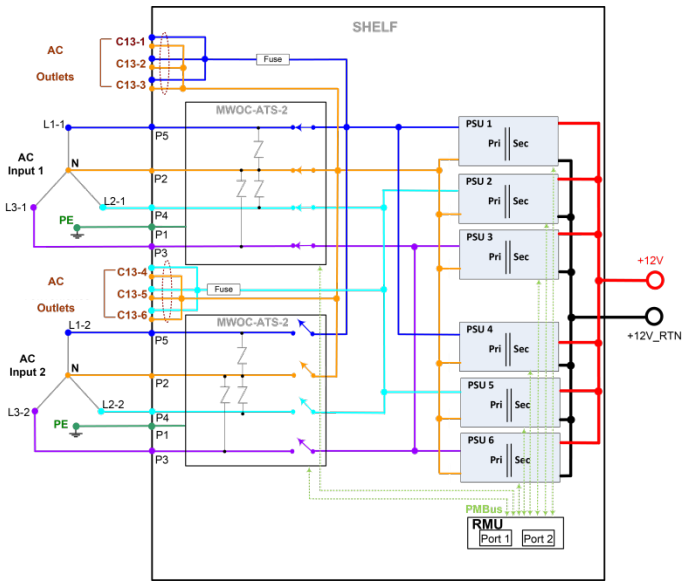
MWOCES-192-A (Delta) with MWOC-ATS-1



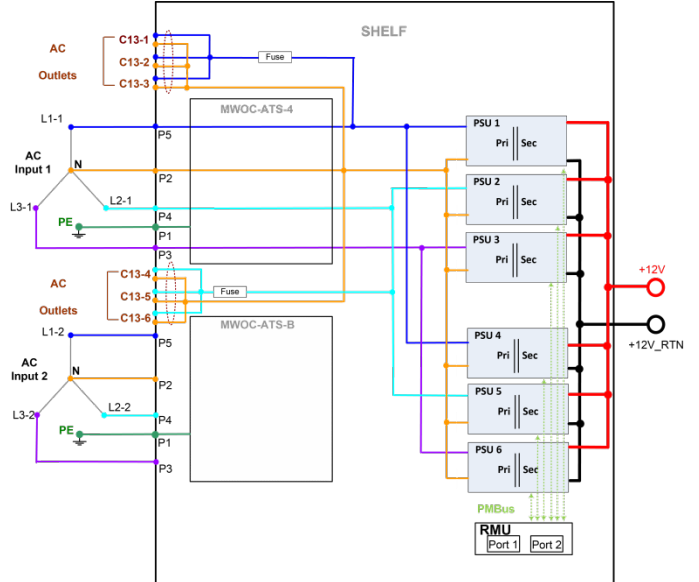
MWOCES-192-A (Delta) with MWOC-ATS-3



MWOCES-192-G (Wye) with MWOC-ATS-2

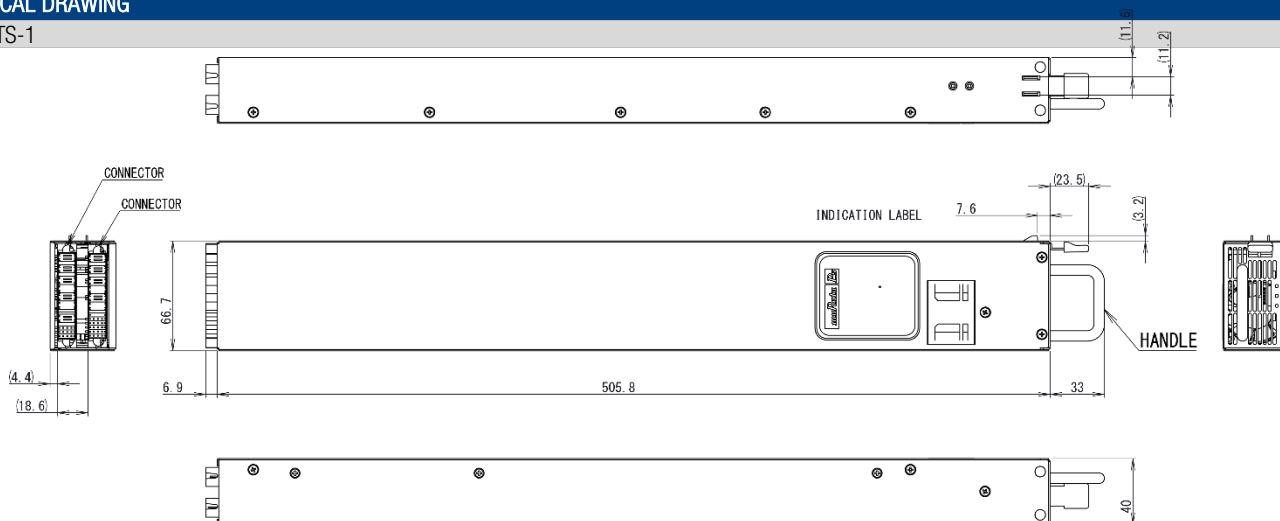


MWOCES-192-G (Wye) with MWOC-ATS-4

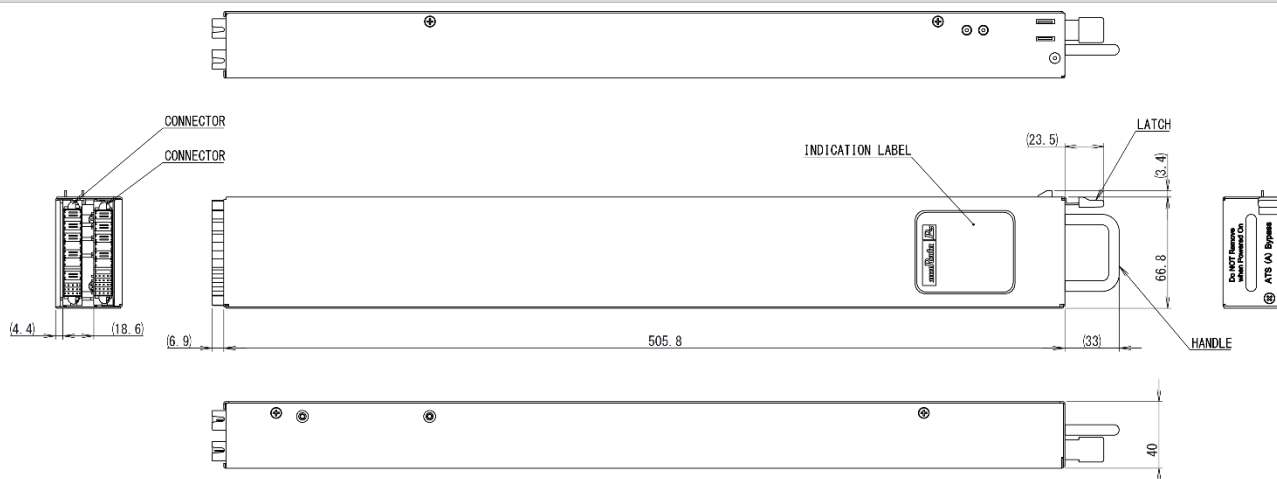


MECHANICAL DRAWING

MWOC-ATS-1



MWOC-ATS-3



RELATED PRODUCT DATASHEETS

Document Number	Description	Link
MWOCE-192	21" OCP POWER SHELF	https://power.murata.com/datasheet?/data/power/mwoce-192.pdf
MWOC74-3000-A	3KW AC-DC FRONT END PSU MODULE	https://power.murata.com/datasheet?/data/power/mwoc74-3000-a-rm.pdf
MWOC-RMU	MONITOR AND CONTROL UNIT	https://power.murata.com/datasheet?/data/power/mwoc-rmu.pdf
MWOC_Blanking_Panels	BLANKING PANEL ACCESSORIES	https://power.murata.com/datasheet?/data/power/mwoc_blanking_panels.pdf

Murata Power Solutions, Inc.
129 Flanders Road
Westborough, MA 01581
ISO 9001 and 14001 REGISTERED



This product is subject to the following operating requirements and the Life and Safety Critical Application Sales Policy. Refer to: <https://www.murata-ps.com/requirements/>

Murata Power Solutions, Inc. ("Murata") makes no representation that the use of its products in the circuits described herein, or the use of other technical information contained herein, will not infringe upon existing or future patent rights. The descriptions contained herein do not imply the granting of licenses to make, use, or sell equipment constructed in accordance therewith. Buyer represents and agrees that it has all the necessary expertise to create and implement safeguards that anticipate dangerous consequences of failures, monitor failures and their consequences, lessen the likelihood of failures that might cause harm, and take appropriate remedial actions. Buyer will fully indemnify Murata, its affiliated companies, and its representatives against any damages arising out of the use of any Murata products in safety-critical applications. Specifications are subject to change without notice.

© 2019 Murata Power Solutions, Inc.