

PRODUCT OVERVIEW

MWOC-RMU is a Remote Management Unit (RMU) for MWOCES series, OCP compliant power shelves. The MWOC-RMU can monitor and control the PSUs and/or peripheral equipment installed in the MWOCES-211, MWOCES-192 and MWDCES-191 shelves via the PMBus™ and can communicate with host system via Ethernet by SNMP. The MWOC-RMU has [LED status indicators](#), two (2) x [RJ45 connectors](#) and it is hot swappable and provides detailed communication and reporting for datacenter applications.



FEATURES

- RMU for Power Shelf Applications
- Communicates internally via PMBus™
- Communicates externally via SNMP
- LED Status Indicators
- Two (2) RJ45 Connectors
- Available for MWOC-ATS-1
- Measurement data can be displayed graphically
- Available for Web API

Available now at
www.murata-ps.com/en/3d/acdc.html



For full details go to
www.murata-ps.com/rohs

ORDERING GUIDE

Part Number	Function	Applicable shelf
MWOC-RMU-1	Monitor and Control Unit	MWOCES series
MWOC-RMU-2	Monitor and Control Unit	MWOCES / MWDCES series

RJ45 INTERFACE

Port	MWOC-RMU-1 spec.	MWOC-RMU-2 spec.
1	Ethernet (10BASE-T / 100BASE-TX)	Ethernet (100BASE-TX)
2	Not used	Serial console (RS-232C)

NETWORK PROTOCOLS (Port 1)

Protocol	MWOC-RMU-1 spec.	MWOC-RMU-2 spec.
IP	Ver. 4	Ver. 4
DHCP client	Ver. 4	Ver. 4
DNS client	NA	Available
SNMP agent	Ver. 1 (RFC1155) MPS9816-MIB available	Ver. 1 (RFC1155) MurataRMU-MIB available
telnet server	Available for CLI	NA
SSH v2 server	NA	Available for CLI
HTTP server	Available for Web GUI	Available for Web GUI, Web API
Syslog	NA	BSD format (RFC3164)
NTP client	NA	SNTP Ver. 4

SERIAL-PORT PROTOCOLS (Port 2)

Feature	MWOC-RMU-1 spec.	MWOC-RMU-2 spec.
Serial console	NA	Available same CLI as SSH

FUNCTION AVAILABLE WITH MWOC-RMU-1, MWOC-RMU-2

Application	Action	Description
SNMP	Control the unit	ON/OFF control of installed PSUs Selection of the power source
	Reporting to the host	ON/OFF Status of each unit Presence information of each unit Status of input power sources Fault information of each PSU Input / output power of PSU(s)
CLI	Control the unit	Same as SNMP
	Report to the host	Same as SNMP
	RMU configuration	Set RMU's IP address (selectable "Static" or "DHCP")
	SNMP configuration	Set Trap receiver's IP address, Set Community names
Web GUI	IP configuration	Same as CLI
	SNMP configuration	Same as CLI

FUNCTION AVAILABLE WITH MWOC-RMU-2

Application	Action	Description
Syslog	Send log messages to the host	Send log messages of following events: Occurrence or recovery of alarms Operation of each unit
Event Log	Store log messages to the internal flash	Store same events as Syslog
CLI	DNS configuration	Set DNS server's IP address
	NTP configuration	Set NTP server's hostname or IP address
	Time configuration	Select a time zone, Set daylight saving time
	Syslog configuration	Set SYSLOG server's hostname or IP address
	User configuration	Available commands depend on the user's role
Web GUI	DNS configuration	Same as CLI
	NTP configuration	Same as CLI
	Time configuration	Same as CLI
	Syslog configuration	Same as CLI

ENVIRONMENTAL CHARACTERISTICS

Parameter	Conditions	Min.	Typ.	Max.	Units
Storage temperature range		-40		70	°C
Operating temperature range		0		40	°C
Storage humidity	Non-condensing	5		90	%
Operating humidity	Non-condensing	5		85	%
Altitude (without derating at 40°C)				3,000	m
MTBF	Per Telcordia SR-332 M1C1 @ 40°C	400k			hrs
Shock	30G non-operating				
Vibration	Operating, random vibration, 5-500Hz 1.11G				
Weight	150g				

STATUS INDICATION AND CONTROL SIGNAL

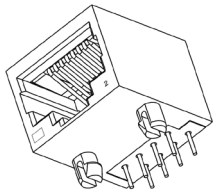
LED	Function	Status
LED1	Link	Blinking Green: Communication with host via LAN1 is available
LED2	Power	Solid Green: RMU powered up
LED3	Alarm	Solid Amber: One or more alarms occurred in the power shelf
LED4	For internal use	

[Link back to product description](#)

CONNECTORS



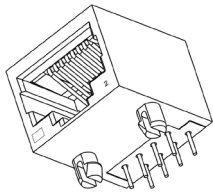
RJ45 CONNECTOR PIN ASSIGNMENT (PORT 1)



Pin	Signal	Description
1	TXD+	Sending data (+)
2	TXD-	Sending data (-)
3	RXD+	Receiving data (+)
4	-	-
5	-	-
6	RXD	Receiving data (-)
7	-	-
8	-	-

[Link back to product overview](#)

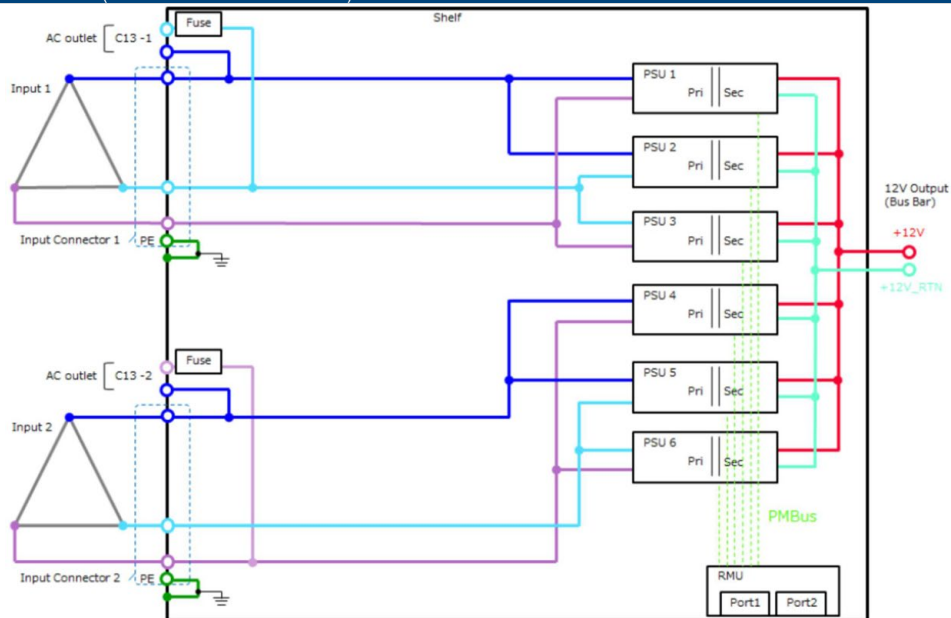
RJ45 CONNECTOR PIN ASSIGNMENT (PORT 2)



Pin	Signal	Description
1	RTS	Hardware flow control data
2	+5V	Power supply for an optional part.
3	TXD	Sending data
4	GND	-
5	GND	-
6	RXD	Receiving data
7	-	-
8	CTS	Hardware flow control data

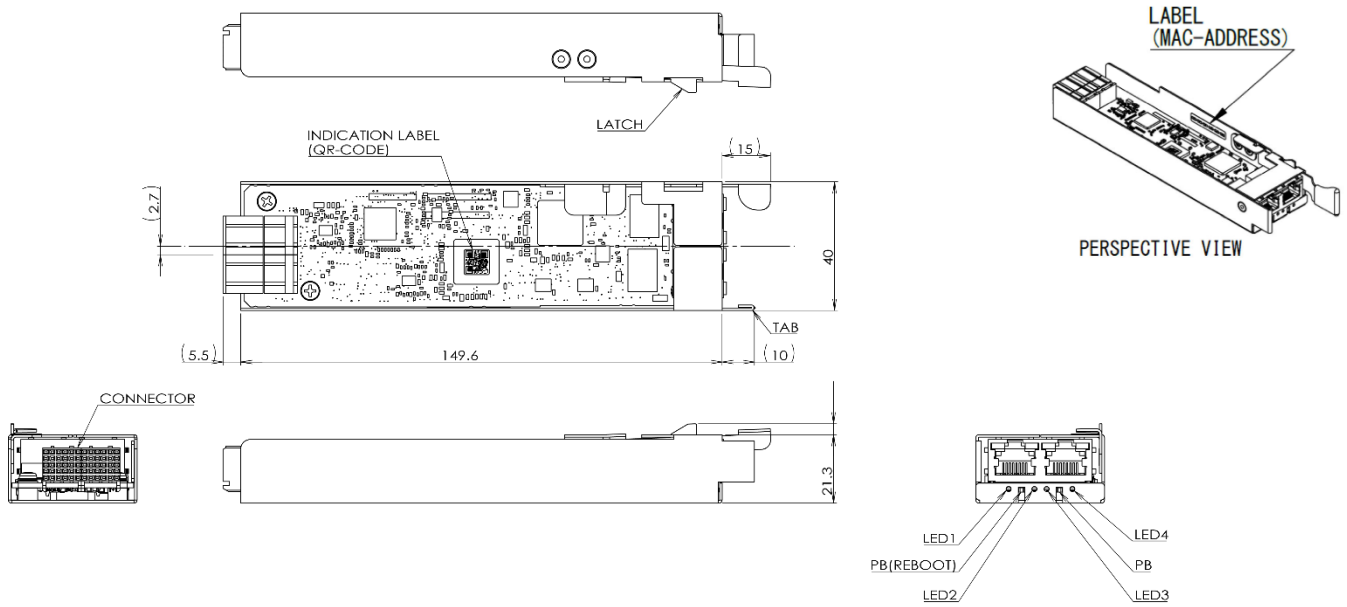
Note: A Cisco compatible console cable can be applied to Port2.

SHELF FUNCTIONAL BLOCK DIAGRAM (MWOCES-211-A SHOWN)

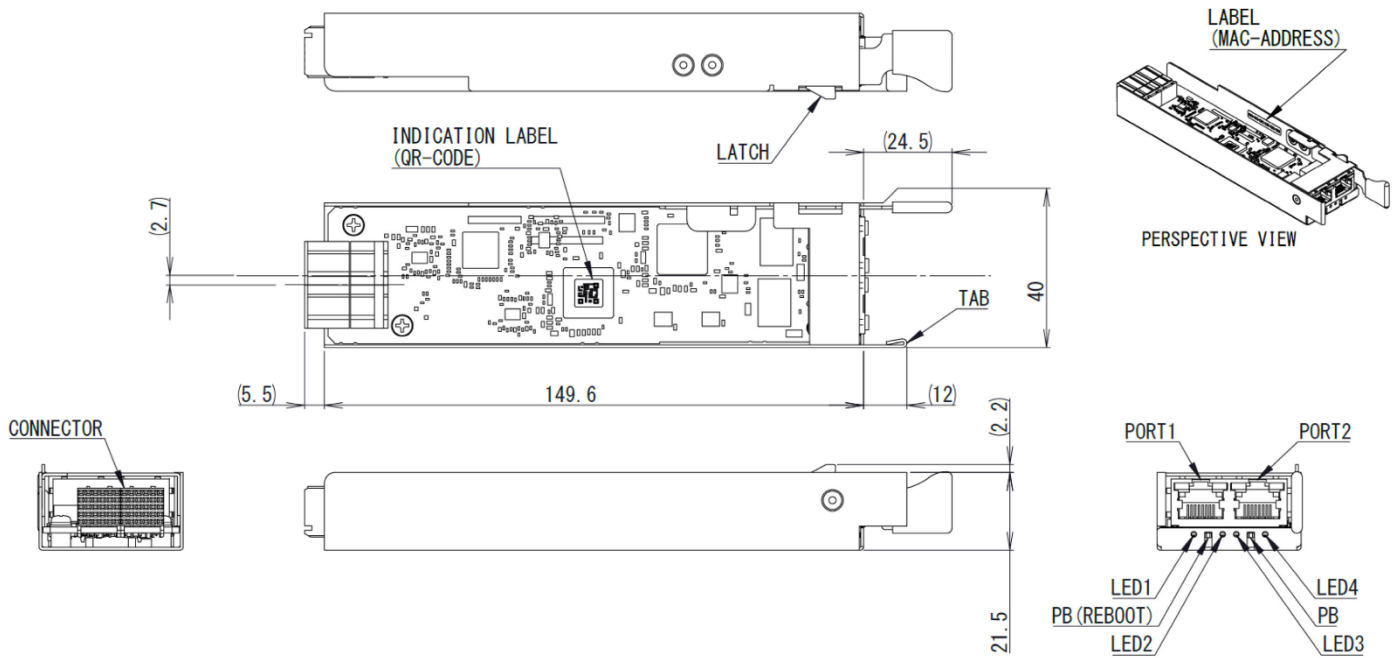


MECHANICAL DRAWING

MWOC-RMU-1



MWOC-RMU-2



RELATED PRODUCT DATASHEETS

Document Number	Description	Link
MWOCE-192	19" OCP power shelf	https://power.murata.com/datasheet?/data/power/mwoces-192.pdf
MWOCE-211	21" OCP power shelf	https://power.murata.com/datasheet?/data/power/mwoces-211.pdf
MWDCES-191	19" OCP power shelf	https://power.murata.com/datasheet?/data/power/mwdces-191.pdf

Murata Power Solutions, Inc.
129 Flanders Road
Westborough, MA 01581
ISO 9001 and 14001 REGISTERED



This product is subject to the following operating requirements and the Life and Safety Critical Application Sales Policy. Refer to: <https://www.murata-ps.com/requirements/>

Murata Power Solutions, Inc. ("Murata") makes no representation that the use of its products in the circuits described herein, or the use of other technical information contained herein, will not infringe upon existing or future patent rights. The descriptions contained herein do not imply the granting of licenses to make, use, or sell equipment constructed in accordance therewith. Buyer represents and agrees that it has all the necessary expertise to create and implement safeguards that anticipate dangerous consequences of failures, monitor failures and their consequences, lessen the likelihood of failures that might cause harm, and take appropriate remedial actions. Buyer will fully indemnify Murata, its affiliated companies, and its representatives against any damages arising out of the use of any Murata products in safety-critical applications. Specifications are subject to change without notice.

© 2019 Murata Power Solutions, Inc.