

1. Scope

This document is applied to a magnetic sensor operating to ON/OFF when the sensor detects the magnetic field.

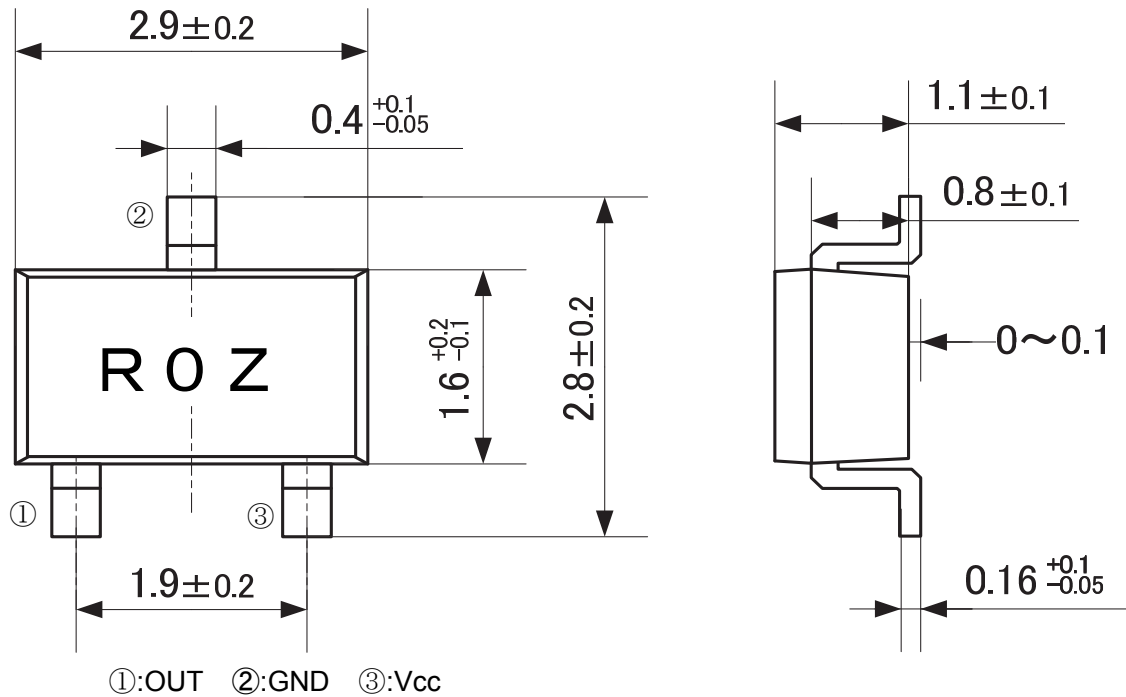
2. Part number

2-1 Part description                      Magnetic Sensor

2-2 Murata part number                  MRSS29DR-001

3. Dimensions and schematics

3-1-1 Package outline drawing

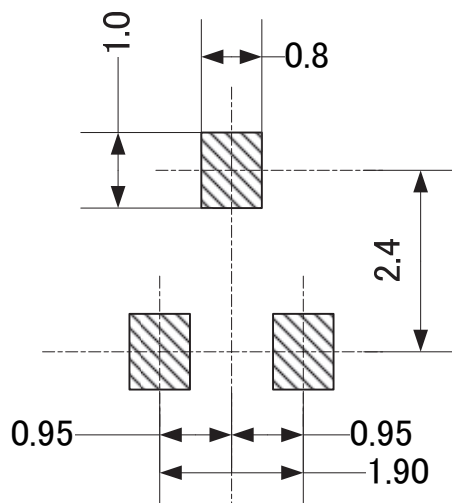


3-1-2 Marking example

(E.g.) 「」 9 1  
      ↓ ↓ ↓  
      I II III

- I. Control code...One alphabetic character
- II. Manufactured year...The last digit of the year
- III. Manufactured month..  
      Jan to Sep : 1 to 9  
      Oct to Dec : X, Y, Z

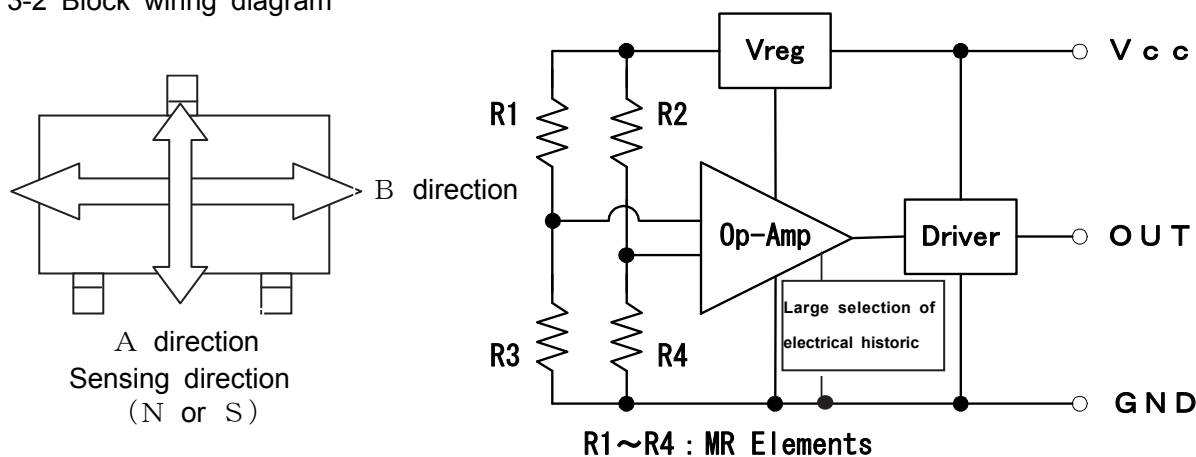
### 3-1-3 Reference mount pad (Unit:mm)



NOTE1) Please evaluate your soldering paset condition and reflow condition with our product being mounted to your product.

NOTE2) Please make sure the sensing direction of the sensor (see the item 3-2) and your magnetic field direction to the sensor.

### 3-2 Block wiring diagram



### 3-3 Magnetic electric conversion characteristic

ON/OFF switched depending on the intensity of the magnetic field.

Applied direction	Output Level
A direction Magnetic Field	Lo-Level
B direction Magnetic Field	Hi-Level

NOTE1) For the output level to change, the magnetic field strength must be strong enough in addition to the direction of the magnetic force line. (It is necessary to change the direction of the magnetic field line at a certain level.)

## 3-4 Electric characteristics/ absolute maximum rating (Ta=+25°C±3°C Vcc=12V)

	Parameter	Symbol	Conditions	Min.	Typ.	Max.	Units
1	Supply voltage	V <sub>cc</sub>	—	3.5	12.0	30.0	V
2	Absolute max. supply voltage	—	—	—	—	40.0	V
3	Current consumption	I <sub>cc</sub>	Output terminal OPEN	—	1.0	1.5	mA
4	Load Resistance	R <sub>L</sub>	—	10	—	—	kΩ
5	Duty Ratio	H <sub>on</sub>	Our Standard measurement environment	36	—	68	%
6	Output Voltage H <sub>i</sub>	V <sub>OH</sub>	V <sub>cc</sub> = 12.0V R <sub>L</sub> =10kΩ	11.4	—	—	V
7	Output Voltage L <sub>o</sub>	V <sub>OL</sub>	V <sub>cc</sub> = 12.0V R <sub>L</sub> =10kΩ	—	—	0.3	V
8	Operating temp. range	—	—	-40	—	+80	°C
9	Storage temp. range	—	—	-40	—	+125	°C

NOTE1) Each specification is defined by testing above items individually.

NOTE2) Duty ratio is the value in our standard measurement environment.

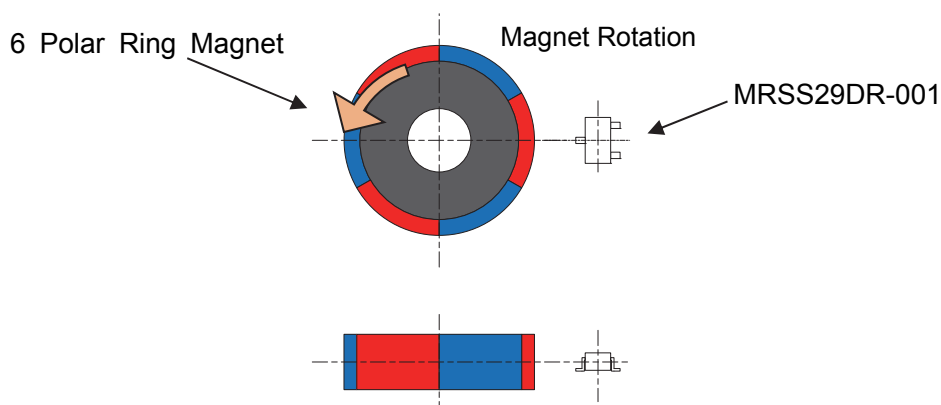
(Reference:3-5,3-8)

It doesn't guarantee the duty ratio in all layouts. The duty ratio may vary depending on the magnet and the placement relationship.

## 3-5 Measurement Environment

Our Standard measurement environment as follows.

The direction of the magnetic field around all the placement ring magnets is continuously changing at the sensor position. (Reference:8-5)



• Magnet : Ferrite Ring Magnet (6 Polar)

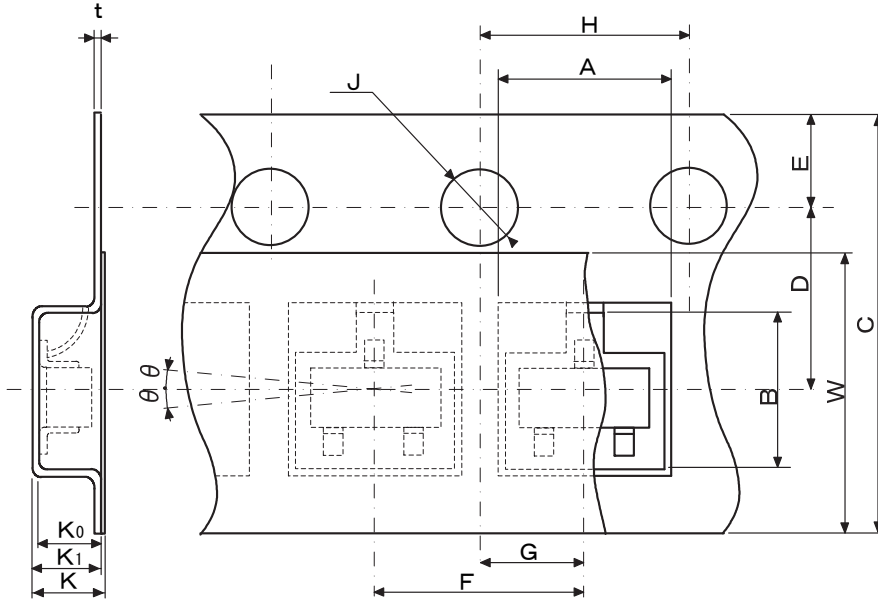
4. Packing specifications

4-1 Packing information

Form of packing	Reel dimension	Pcs per reel
Tape & reel	φ180	3000pcs

4-2 Taping specifications

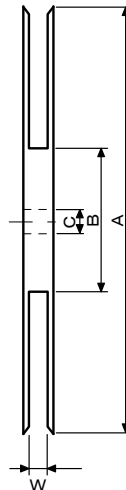
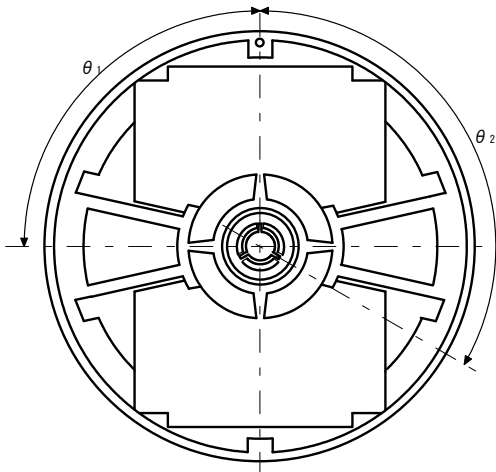
4-2-1 Taping dimensions



Unit:mm

Parameter		Symbol	Size/ Angle	Parameter		Symbol	Size/ Angle
Pocket	Length	A	3.35±0.1	Dist. Between center lines	L direction	G	2.0±0.05
	Width	B	3.2±0.1		W direction	D	3.5±0.05
	Depth	K <sub>0</sub>	1.4±0.1	Cover tape	Width	W	5.5 <sup>+0.3</sup> <sub>0</sub>
	Pitch	F	4.0±0.1		Width	C	8.0±0.2
Feed hole	Diameter	J	φ1.5 <sup>+0.1</sup> <sub>-0.05</sub>	Carrier tape	Thickness	T	0.2±0.05
	Pitch	H	4.0±0.1		Depth	K <sub>1</sub>	1.5±0.1
	Position	E	1.75±0.1	Device	Tilt	θ	30°MAX
Overall thickness		K	1.55±0.1				

4-2-2 Reel dimensions...EIAJ PRV08B compliant



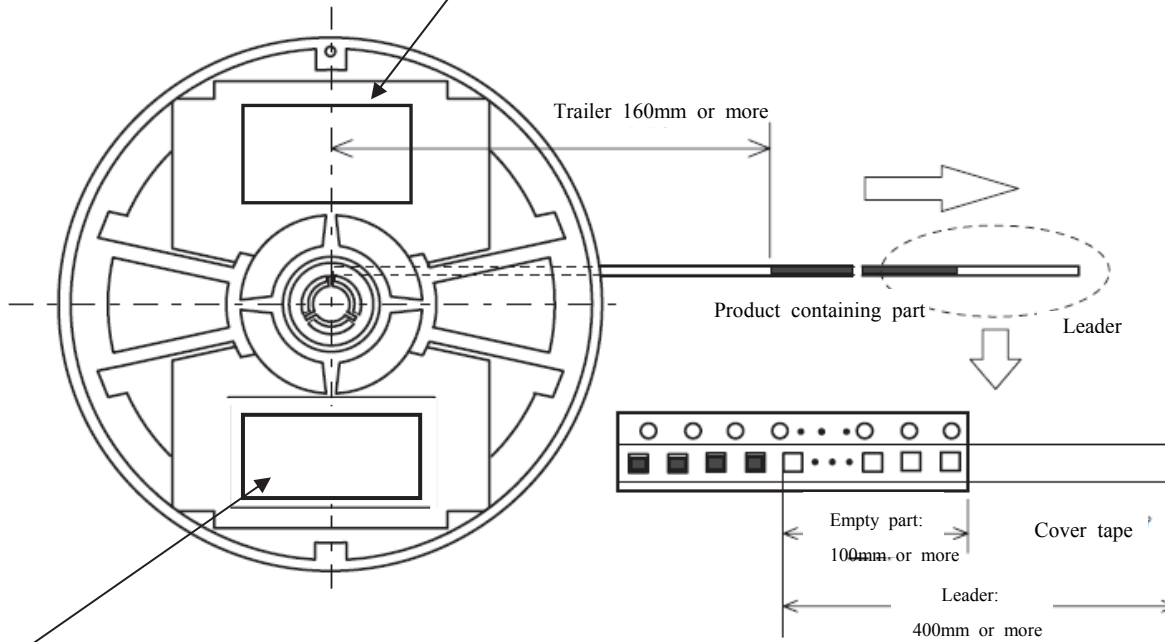
Unit:mm

Item		Symbol	Dim/Angle
Flange	Diameter	A	φ178±2
	Dis. between flanges	W	9±0.5
Hub	Diameter	B	φ60±1
	Hub slit position	θ <sub>1</sub>	90°
	Spindle hole diam.	C	φ13±0.5
	Key slit position	θ <sub>2</sub>	120°
Marking		Labeled on one side of flange	

### 4-2-3 Start/End of taping



Reel label A (example)



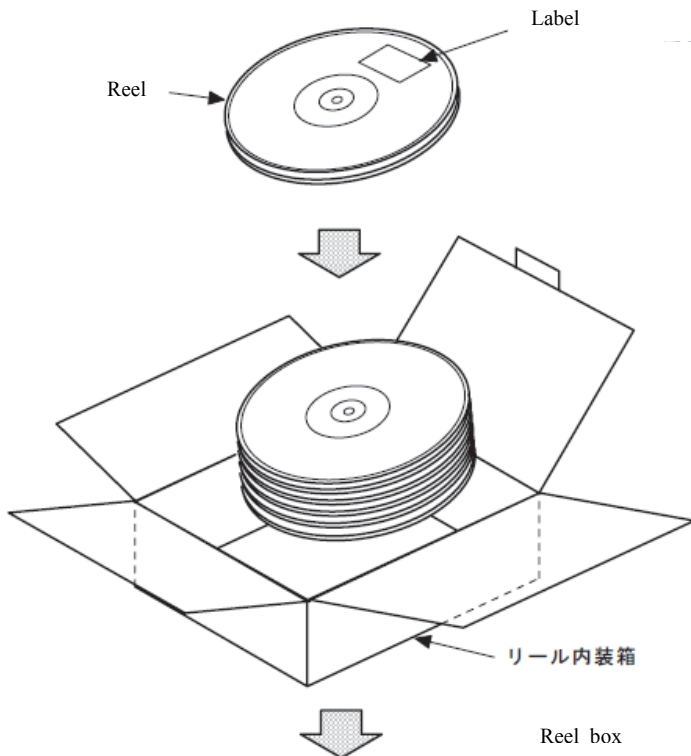
Reel label B (example)



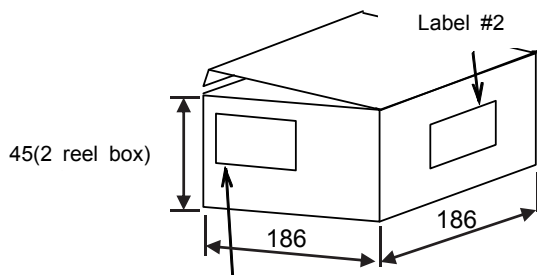
### 4-2-4 Other notes

- Continuously missing device shall not exceed 2 pcs.
- Peeling strength of the cover tape: 0.1 to 0.7N.

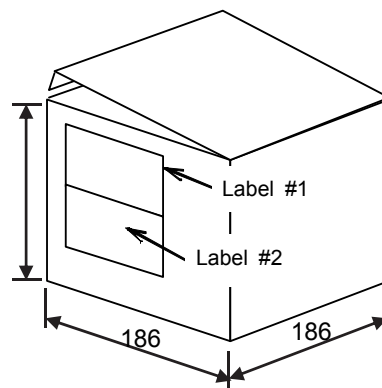
4-3 Outer packing specifications



<1 reel or 2 reels>



<3 reels and more>



- 1 to 2 reels: Packed in 2 reel box
- 3 to 5 reels: Packed in 5 reel box
- 6 to 10 reels: Packed in 10 reel box

\*When the box is not filled with reels, antistatic buffer material will be used to avoid product from moving inside box.

\*Unit: mm, Tolerance: +/- 5mm

会社名 <COMP.>	（株）村田製作所	△	1L
受取場所 <DELIVERY POINT>			
部品番号 <TRANS. NO.>			
品名コード <PART NO.>			
品名 <PART NAME>			
入数/部品数 <QTY/TOTAL Q'TY>		単位 <UNIT>	PC
発注者用備考 <CUSTOMER'S REMARKS>		包装個数 <PACKAGE COUNT>	



Label #1 (example)

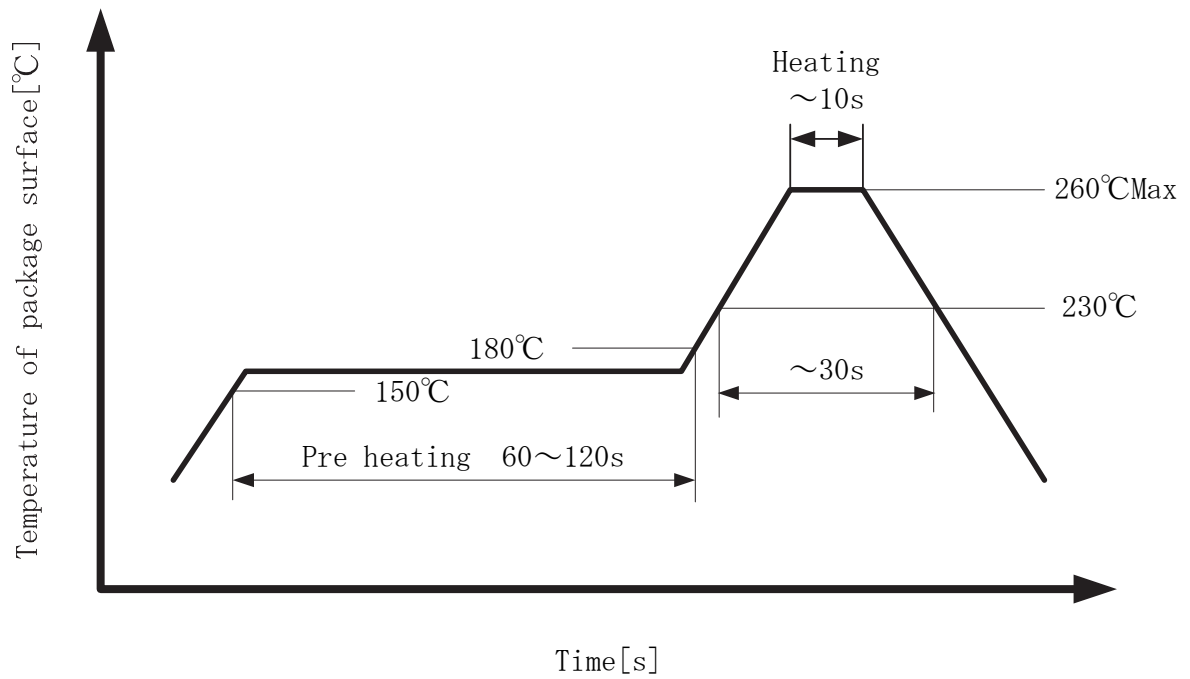
Label #2 (example)

Material

Reel packing box: Cardboard

5. Mounting condition

5-1 Reflow condition, hand soldering condition



Cycle of reflow : 3times or less

Soldering iron by hand : 350 +/- 5 °C, within 3 sec / each terminal

5-2 Other

MSL(Moisture Sensitivity Level): equal to MSL1

## 6. Reliability test

No.	Reliability test	Test conditions	Judgment criteria	
1	High temp. storage	+125°C 500h No-load	<p>It shall be tested after being kept in a room over 2hours and Vcc=12.0V.</p> <ul style="list-style-type: none"> <li>• Output voltage Hi:11.4V or above Lo:0.3V or less</li> <li>• Using current 1.5mA or less</li> </ul>	
2	Low temp. storage	-40°C 500h No-load		
3	High temp, high humidity load	+85°C 85%RH 500h Load voltage:30V RL=10kΩ		
4	Thermal shock	-55°C/30 min ⇔ +125°C/30min (vapor phase) 500 cycle, no-load		
5	Vibration	Apply vibration [Max amplitude:1.5mm, frequency: 10 to 55Hz, 1 cycle minute, 3 directions, 2h in each direction (total 6h )]		
6	Shock test	Unpacked condition, X, Y, Z direction, 1470m/s <sup>2</sup> , 5 times/each		
7	Drop test	100g dummy load, Height: 150cm, on the concrete, 6 sides, 10 times/each		
8	Solder heat resistance	Pretreatment: +85°C, 85%RH, 168h Reflow condition: Max. 260°C & 230°C, 30 sec, times of reflow: 3		
9	Electrostatic resistance	Machine Model Condition: 200pF, Resistance: 0Ω, +/-200V		
		Human Body Model Condition: 100pF, Resistance: 1.5kΩ, +/-2kV		
10	Solderability	Solder temp.: +230°C, Time: 3 sec immersion		90% and more terminal surface covered with solder
11	Electrode sticking tendency	5N(510gf), 4 directions, 10 sec		No external abnormality found
12	Bending cycle	Glass epoxy PCB, t=1.6, Speed:5mm/min, 90mm span, bending range ±1mm, 1500 cycle	No terminal fracture, loosening found.	



## 7. Caution

### 7-1 Limitation of applications

Please avoid using this product for the applications listed below which require especially high reliability in order to prevent defects that might directly cause damage to the third party's life, body, or property.

When this product is used for the applications listed below, we shall not be liable for any claims on the product.

- ① Aircraft equipment
- ② Aerospace equipment
- ③ Undersea equipment
- ④ Generating plant equipment
- ⑤ Medical equipment
- ⑥ Transportation equipment (vehicles, trains, ships, etc.)
- ⑦ Traffic signal equipment
- ⑧ Disaster prevention/ crime prevention equipment
- ⑨ Data processing equipment
- ⑩ Application of similar complexity and/or reliability requirements to the applications listed above.

### 7-2 Fail-safe

Be sure to provide appropriate fail-safe function on your product to prevent a second damage that may be caused by the abnormal function or the failure of our product.

## 8. Caution for use

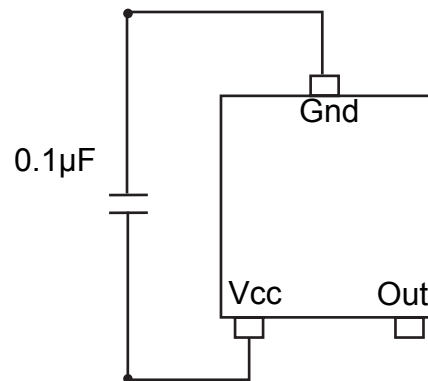
### 8-1 Handling

- This product may be degraded by electrostatic discharge. It is necessary to take anti-static precautions when handling.

### 8-2 Design

- Please thoughtfully evaluate this product for the magneto-variation of the magnet used along with this product, otherwise this product may result in the miss-operation or the non-operation.
- Sensor miss-operation or non-operation may occur due to the influence of the magnetic noise from surrounding devices such as motor. Please make sure there is no influence of the magnet noise in designing process.
- Please be careful about a magnetic body (Iron, Nickel, etc.) and a magnetic noise immunity that may affect the magnetism of a magnet.
- Please do not supply inverse voltage or excess voltage to this product. If applied, this product may be damaged and electrically destroyed.

- Please design your product not to be affected by stress of the resin due to heat shrink.
- It is effective to make the Vcc and GND line wide and short or to adopt multi-layer PCB for switching noise protection. In addition, please place a bypass capacitor near the sensor.



### 8-3 Storage condition

- Recommended storage conditions are listed below.
  - Temperature : +5 to +30°C
  - Humidity : 70%(RH)% and lower
- \*Desiccator storage or storage in N<sub>2</sub> atmosphere is recommended.
- Allowable storage time of the product is one year from the date of delivery. Please take account of the storage conditions listed above. Please also use the product as soon as possible after opening the product packing to avoid the deterioration of solderability.
- Please avoid the water, chemical solvent, or oil.
- Please avoid the corrosive gas (Cl<sub>2</sub> H<sub>2</sub>S, NH<sub>3</sub> NO<sub>2</sub>, NO<sub>3</sub> etc.)
- Please avoid the strong vibration or shock.

### 8-4 Mounting

- Please mount this product under standard reflow condition. Otherwise this product may be damaged.
- Please do not apply excessive load to the terminals. Also, please do not bend the terminals.
- Please do not apply excessive bending stress to the product by bending the PCB or by similar handling as it may change the sensor sensitivity.
- Please make sure the mounting state of the sensor after mounting it. Depend on your application, mounting error may cause the sensor miss operation.

### 8-5 Duty Ratio

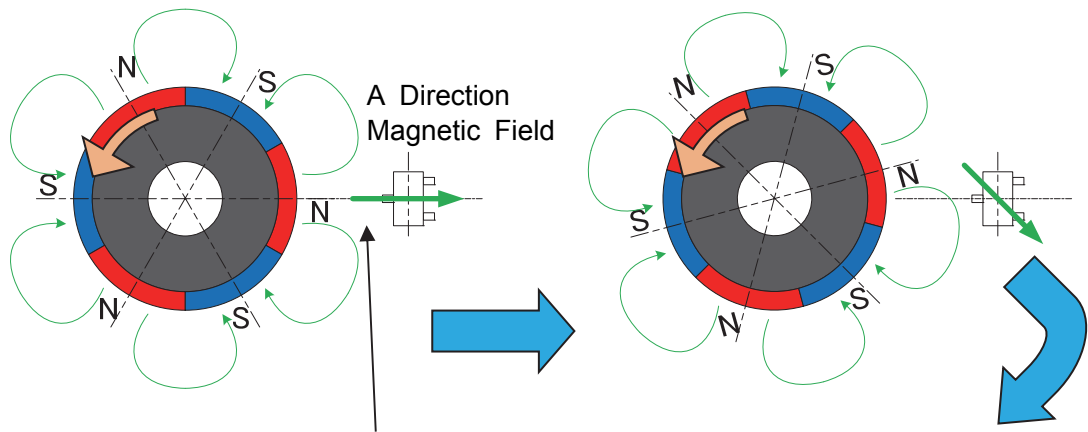
The duty ratio is defined as follows.

- Measurement
  - When ring magnet rotate, close the sensor.
  - It becomes the direction and the output of the magnetic field line like ① ~ ④ in the following figure and the graph by the direction of the magnetic field line of the sensor position.
  - The direction of the magnetic field line is 180 degrees different at 0 ° and 180 °, but the output is the same behavior. The center of the N/S Poles at every 60 ° relative to 0 ° comes near the sensor alternately.

• Rotation diagram (change ...①→②→③→④→①...)

① Lo-Level (0 · 60 · 120°...)

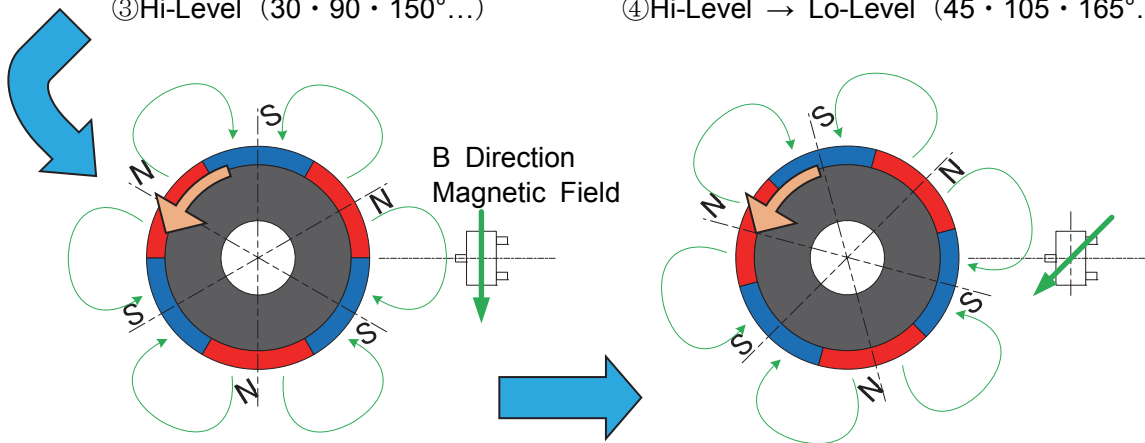
② Lo-Level → Hi-Level (15 · 75 · 135°...)



(① : At 0° (each 60°), the center of the n/s Poles approaches the sensor alternately.  
(Direction of magnetic field line is A direction magnetic field.)

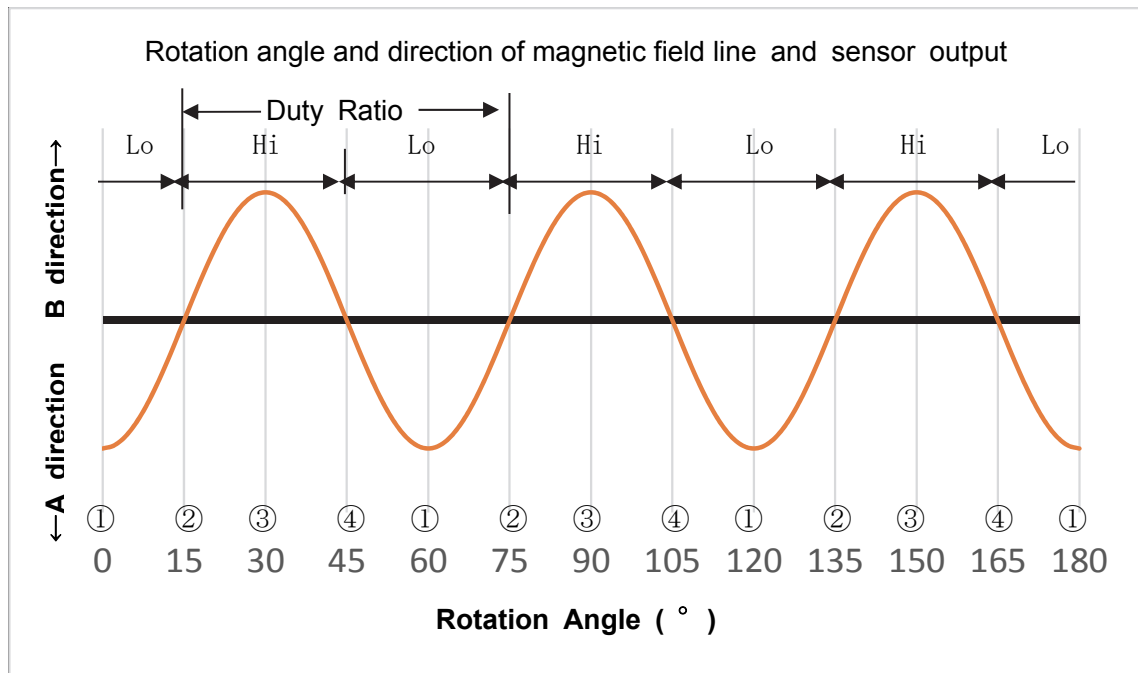
③ Hi-Level (30 · 90 · 150°...)

④ Hi-Level → Lo-Level (45 · 105 · 165°...)



(② : At 30° (each 60°), the boundary between the N/s Poles approaches the sensor alternately.  
direction of magnetic field line is B direction magnetic field.)

• Rotation Angle Chart



- NOTE1) When magnetic field is strong and direction of magnetic field line close to A direction magnetic field of ①, sensor output become Lo-Level. When direction of magnetic field line close to B direction magnetic field from A direction magnetic field, sensor output become Hi-Level. At this time, the angle ratio of the hi/lo-level is the duty ratio.
- NOTE2) We use 6 polar magnetic. The number of Poles other than the six Poles also works similarly to the change in the orientation of the magnetic field line. The greater the number of poles, the more the number of output flips per magnet rotation but it becomes difficult to make the magnet and layout accuracy.
- NOTE3) The output of the sensor changes mainly by changing the direction of the magnetic field line but in case the magnetic field is not strong enough, the amount of change in the duty ratio may increase.
- NOTE4) When the duty ratio greater than the standard, consider using a larger magnet or detecting it at a closer distance. (Depending on the strength of the magnetic field, duty may improve.)

#### 9. ⚠ Note

- Make sure that your product has been evaluated in view of your specifications with our product being mounted to your product.
- Not to use our product deviating from the agreed specification.
- We consider it not appropriate to include any terms and conditions with regard to the business transaction in the product specifications, drawings or other technical documents. Therefore, if your technical documents above include such terms and conditions such as warranty clause, product liability clause, or intellectual property infringement liability clause, they will be deemed to be invalid.