

## DATA SHEET



# SCA3100-D04 3-AXIS HIGH PERFORMANCE ACCELEROMETER WITH DIGITAL SPI INTERFACE

## Features

- 3.3V supply voltage
- $\pm 2$  g measurement range
- 3-axis measurement XYZ directions
- $\pm 30$ mg offset stability over temp range
- SPI digital interface
- Extensive self-diagnostics features
- Size 7.6 x 3.3 x 8.6 mm (w x h x l)
- Qualified according to AEC-Q100 standard
- Package, pin-out and SPI protocol compatible with Murata digital accelerometer product family
- RoHS compliant Dual Flat Lead (DFL) plastic package suitable for lead free soldering process and SMD mounting
- Proven capacitive 3D-MEMS technology

## Applications

SCA3100-D04 is targeted to applications with high stability requirements. Typical applications include

- Hill Start Aid (HSA)
- Electronic Parking Brake (EPB)
- Roll Over detection
- Suspension control
- Inclinometers
- Motion and position measurements

## General Description

SCA3100-D04 is a high performance three axis accelerometer component based on Murata capacitive 3D-MEMS technology. The component integrates high accuracy micromechanical acceleration sensing together with a flexible SPI digital interface. Dual Flat Lead (DFL) housing guarantees reliable operation over product lifetime.

SCA3100-D04 is designed, manufactured, and tested for high stability, reliability, and quality requirements of automotive applications. The accelerometer has extremely stable output over wide range of temperature, humidity, and vibration. The component is qualified against AEC-Q100 standard and has several advanced self-diagnostics features. The DFL housing is suitable for SMD mounting and the component is compatible with RoHS and ELV directives.

SCA3100-D04 is a part of Murata digital accelerometer family and fully compatible with single axis accelerometers (SCA800 series) and other multi axis accelerometers (SCA2100 series and SCA3100 series).

## Performance Characteristics

Vdd=3.3 V and ambient temperature unless otherwise specified.

Parameter	Condition				Units
		Min	Typ <sup>1)</sup>	Max	
Analog and digital Vdd		3.0		3.6	V
Current consumption	Active mode		3	5	mA
	Power down mode		0.12		mA
Measurement range	Measurement axes (XYZ)	-2		2	g
Operating temperature		-40		125	°C
Offset total error <sup>2)</sup>	Temperature range -40 ... +125 °C	-70		70	mg
Offset calibration error <sup>3)</sup>	@25 °C ±5°C	-40	±16	40	mg
Offset temperature drift	Temperature range -40 ... +125 °C	-30 <sup>4)</sup>	±18 <sup>5)</sup>	30 <sup>4)</sup>	mg
Sensitivity	12 bit output		900		Count/g
	Between ±3°		0.0637		%/Count
Total sensitivity error	Temperature range -40 ... +125 °C	-4		4	% FS
Sensitivity calibration error	@25 °C ±5°C		±0.5		% FS
Sensitivity temperature drift	Temperature range -40 ... +125 °C		±0.8		% FS
Linearity error	+1g ... -1g range	-20		20	mg
Cross-Axis sensitivity		-3.5	±2.5	+3.5	%
Zero acceleration output	2-complement		0		Counts
Amplitude response <sup>6)</sup>	-3dB frequency	30		55	Hz
Noise				5	mg RMS
Power on setup time				0.1	s
Output data rate			2000		Hz
Output load				50	pF
SPI clock rate				8	MHz
ESD protection	Human Body Model			2	kV
	Charge Device Model			1	kV
Moisture sensitivity level	IPC/JEDEC J-STD-020C, Level 3				
Mechanical shock				20 000	g
ID register value	Customer readable ID register (27hex)		C1		

- 1) Typical ± values are ±3 sigma variation limits from validation test population.
- 2) Includes offset deviation from 0g value including calibration error and drift over lifetime, temperature and supply voltage.
- 3) Includes offset deviation from 0g value including calibration error and drift over lifetime.
- 4) Offset drift due to temperature. Value is a relative value and has not been centered to 0g. Error defined as maximum change of offset in temperature range. Offset (max) - Offset (min). 100% tested in production.
- 5) Biggest change of output from RT value due temperature.
- 6) See figure 5.

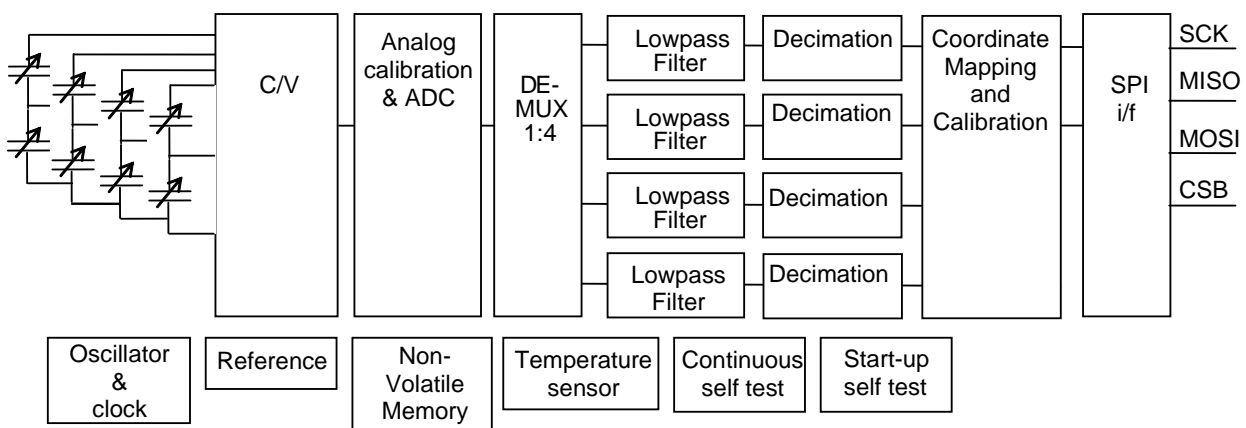
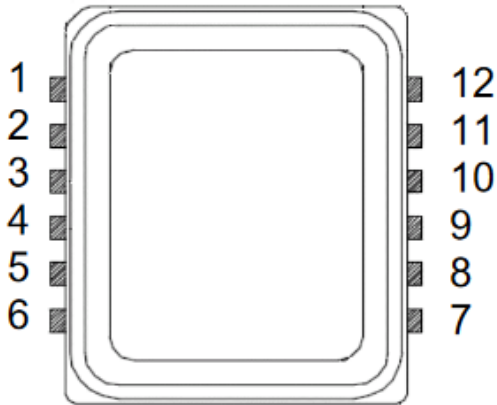


Figure 1. SCA3100-D04 Block diagram

## Pin Description



**Figure 2:** Component pinout

**Table 1:** Component pinout

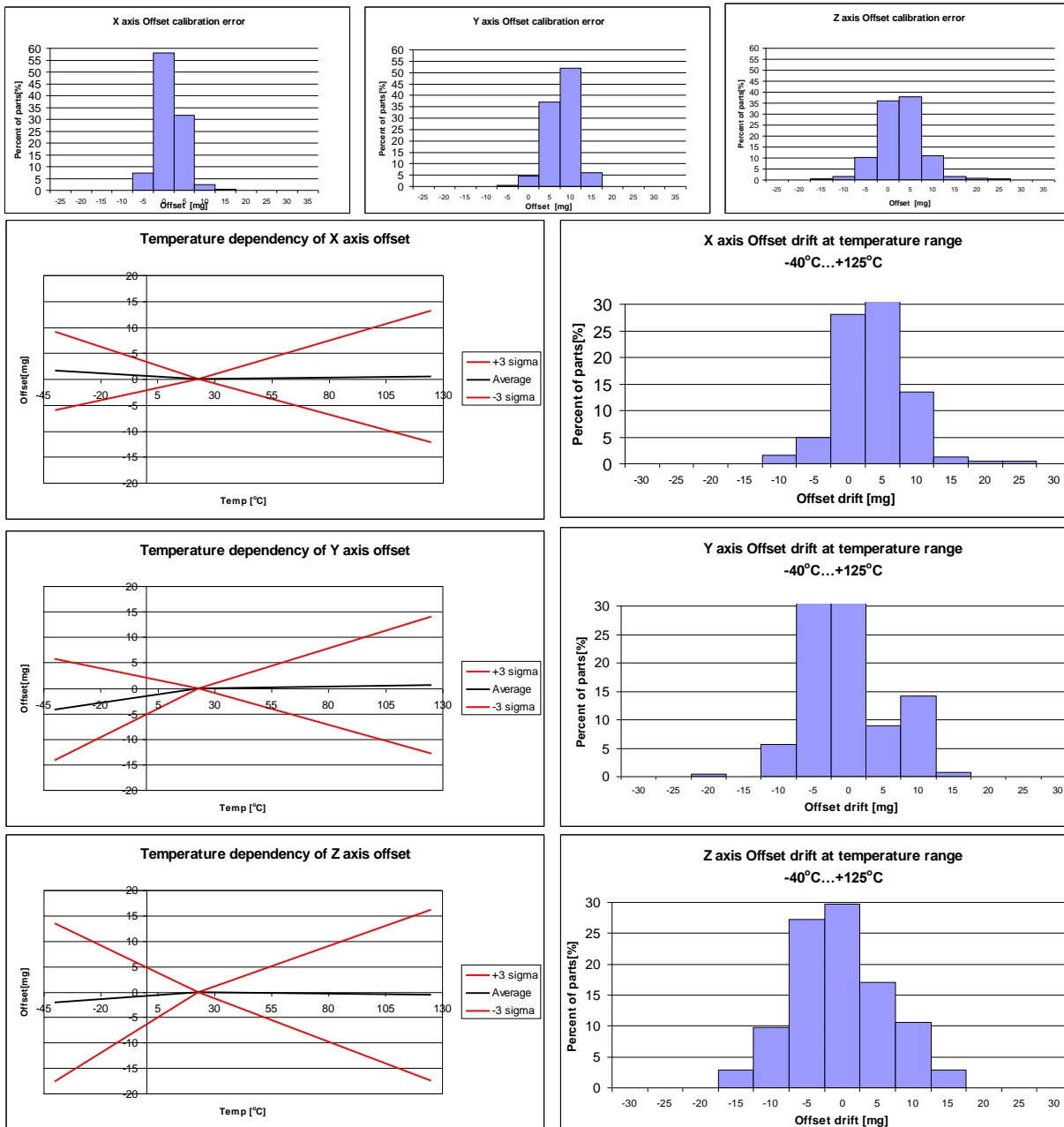
No.	Name	Type <sup>1)</sup>	PD/PU <sup>2)</sup>	Function	Connect
1	Reserved			Not used	Gnd
2	Reserved		PD	Factory use	Gnd
3	AVSS	AI		Negative power supply (analog)	Gnd
4	AVDD	AI		Positive power supply (analog)	Vdd
5	CSB	DI	PU	Chip select	CSB
6	MISO	ZO		Data output	MISO
7	SCK	DI	PD	Serial clock	SCK
8	MOSI	DI	PD	Data input	MOSI
9	Reserved		PD	Factory use	Not connected
10	DVDD	AI		Positive power supply (digital)	Vdd
11	DVSS	AI		Negative power supply (digital)	Gnd
12	EGnd	AI		EMC ground	Gnd

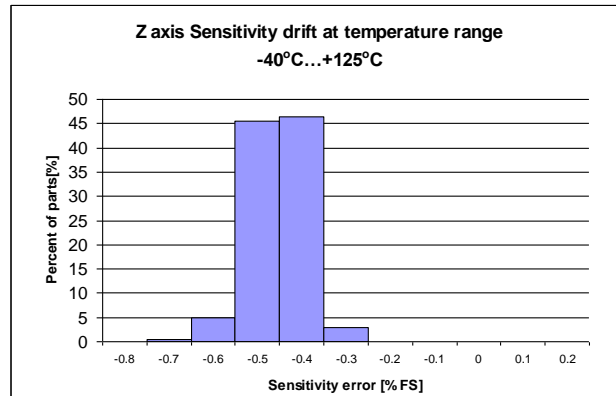
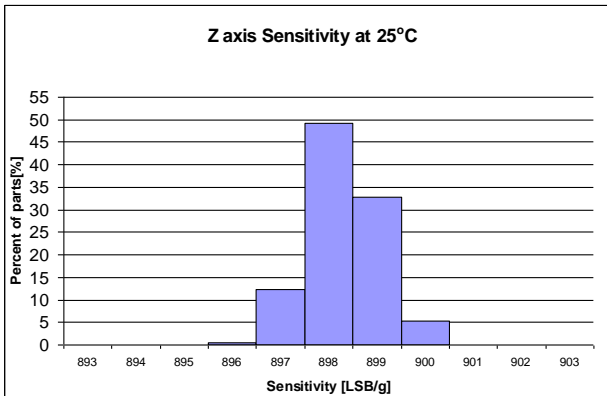
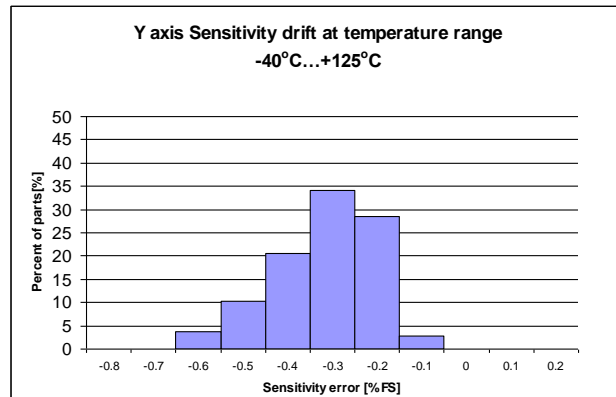
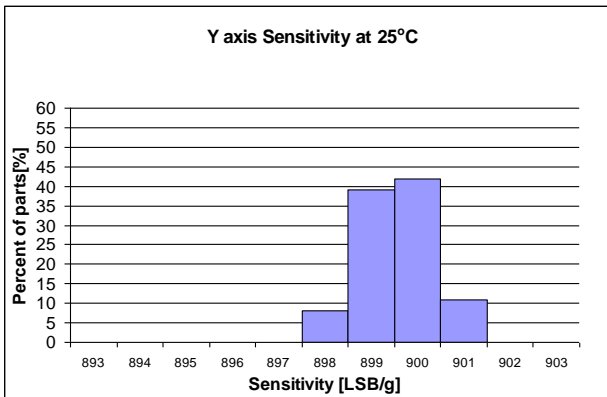
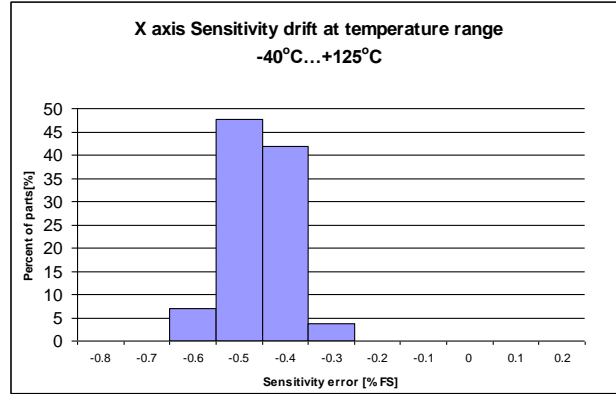
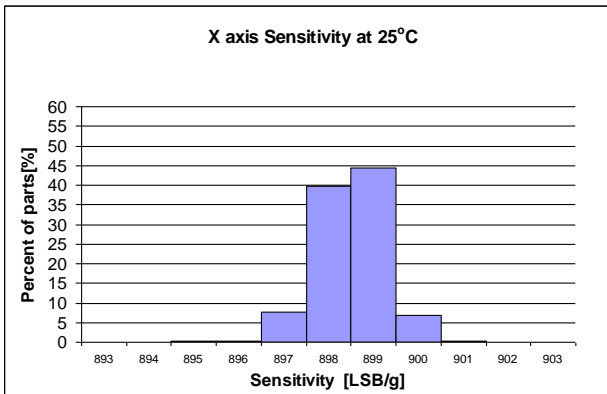
1) A = Analog, D = Digital, I = Input, O = Output, Z = Tristate Output

2) PU = internal pullup, PD = internal pulldown

Further description of recommended circuit diagram and PWB layout can be found from company website.  
Documentation: **SCA8X0 21X0 3100 Product Family Specification**

## Typical Performance characteristics





### Measurement Directions

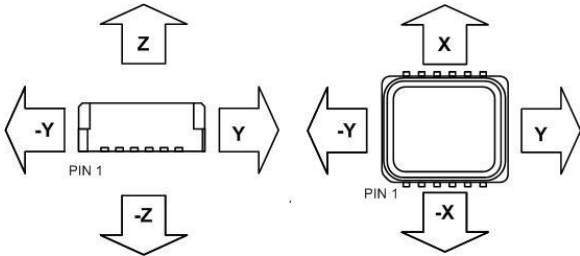


Figure 3. Accelerometer measuring directions

### Housing Dimensions

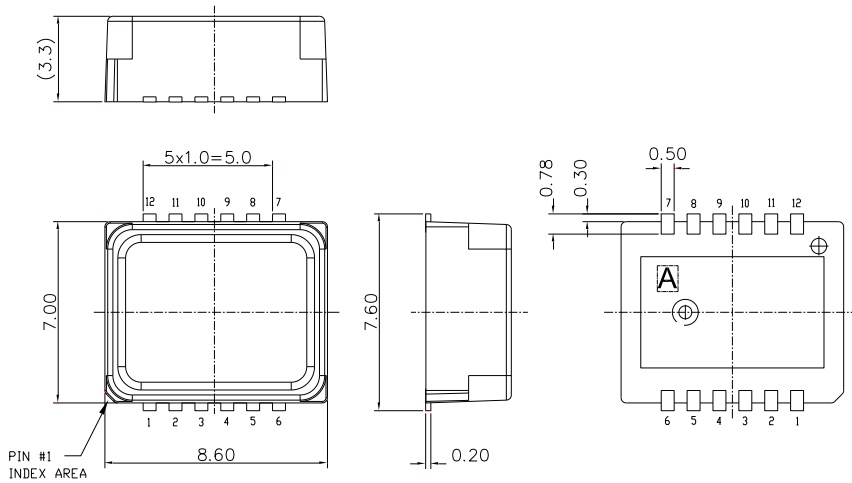


Figure 4. Housing dimensions

### Frequency Response

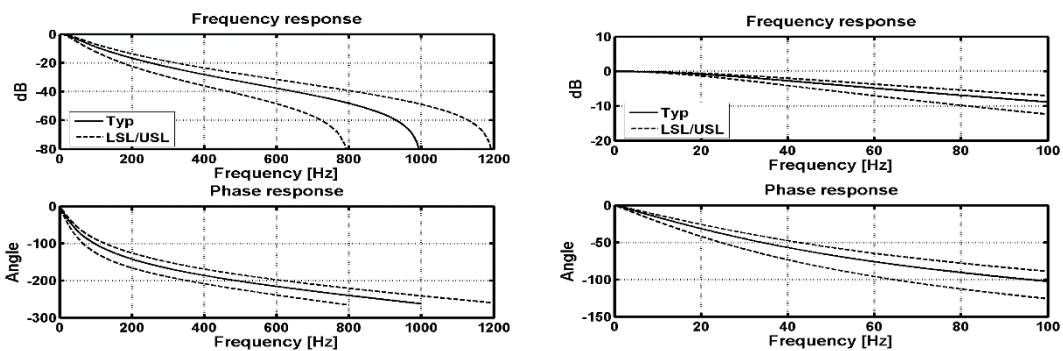


Figure 5. Frequency response curves

## Order Information

**Table 2.** Order codes for SCA3100-D04

Order code	Description	Measurement Range (g)	Packing	Qty
SCA3100-D04-004	3-axis high performance accelerometer with digital SPI interface	±2 g	Bulk	4 pcs
SCA3100-D04-1	3-axis high performance accelerometer with digital SPI interface	±2 g	T&R	100 pcs
SCA3100-D04-10	3-axis high performance accelerometer with digital SPI interface <i>This order code is used for automotive customers after customer has approved the product for production</i>	±2 g	T&R	1000 pcs

*Murata reserves all rights to modify this document without prior notice*