

## SCX3300 PCB SPECIFICATION

SCA3300 Accelerometers

SCL3300 Inclinometers



## SCx3300 Chip Carrier PCB

The purpose of the SCx3300 Chip Carrier PCB is to enable fast prototyping.

SCx3300 Chip Carrier PCB includes:

- SCx3300 sensor soldered on PCB
- PCB design # 01059 with pin headers and passive components

Please refer to SCx3300 datasheet when using the Chip Carrier PCB.

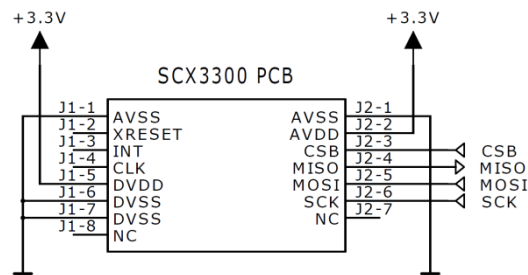


Figure 1. SCx3300 PCB pinout and external connections.

Table 1. BOM of the SCx3300 PCB.

Item	Qty	Ref	Part Name / type	Value
1	4	C1-4	Capacitor 0603	100 nF
2	2	C5-6 (Optional)	Capacitor 0603	10 $\mu$ F
3	1	U1	SCx3300 Accelerometer	
4	1	J1	8-pin through hole pin header, pitch 100 mils, pin size 0.63x0.63mm, length ~5.85mm (example mating part: Samtec: SSQ-108-01-S-S)	
5	1	J2	7-pin through hole pin header, pitch 100 mils, pin size 0.63x0.63mm, length ~5.85mm (example mating part: Samtec: SSQ-107-01-S-S)	

Detailed pictures of the SCx3300 PCB are presented on following pages:

- PCB layout
- Assembly drawings
- Circuit diagram

PCB mechanical dimensions:

- Width 42.9 mm
- Height 27.4 mm
- Height 15.1 mm (incl. components and pin headers)

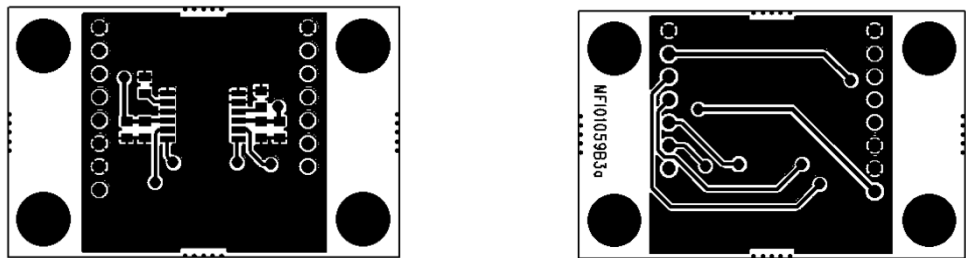


Figure 2. TOP (left) and BOTTOM (right) layout of SCx3300 PCB (aspect ratio not 1:1).

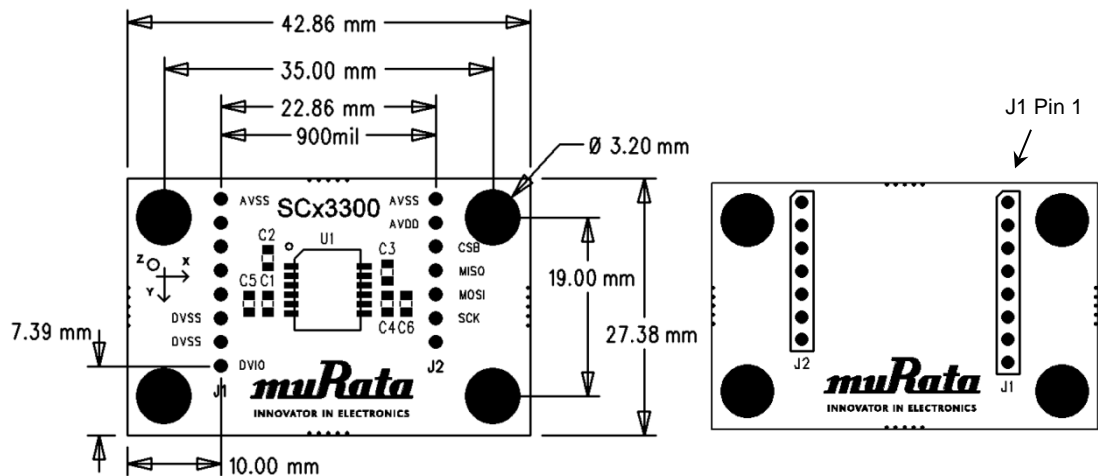


Figure 3. TOP (left) and BOTTOM (right) view assembly drawings for SCx3300 PCB (aspect ratio not 1:1).

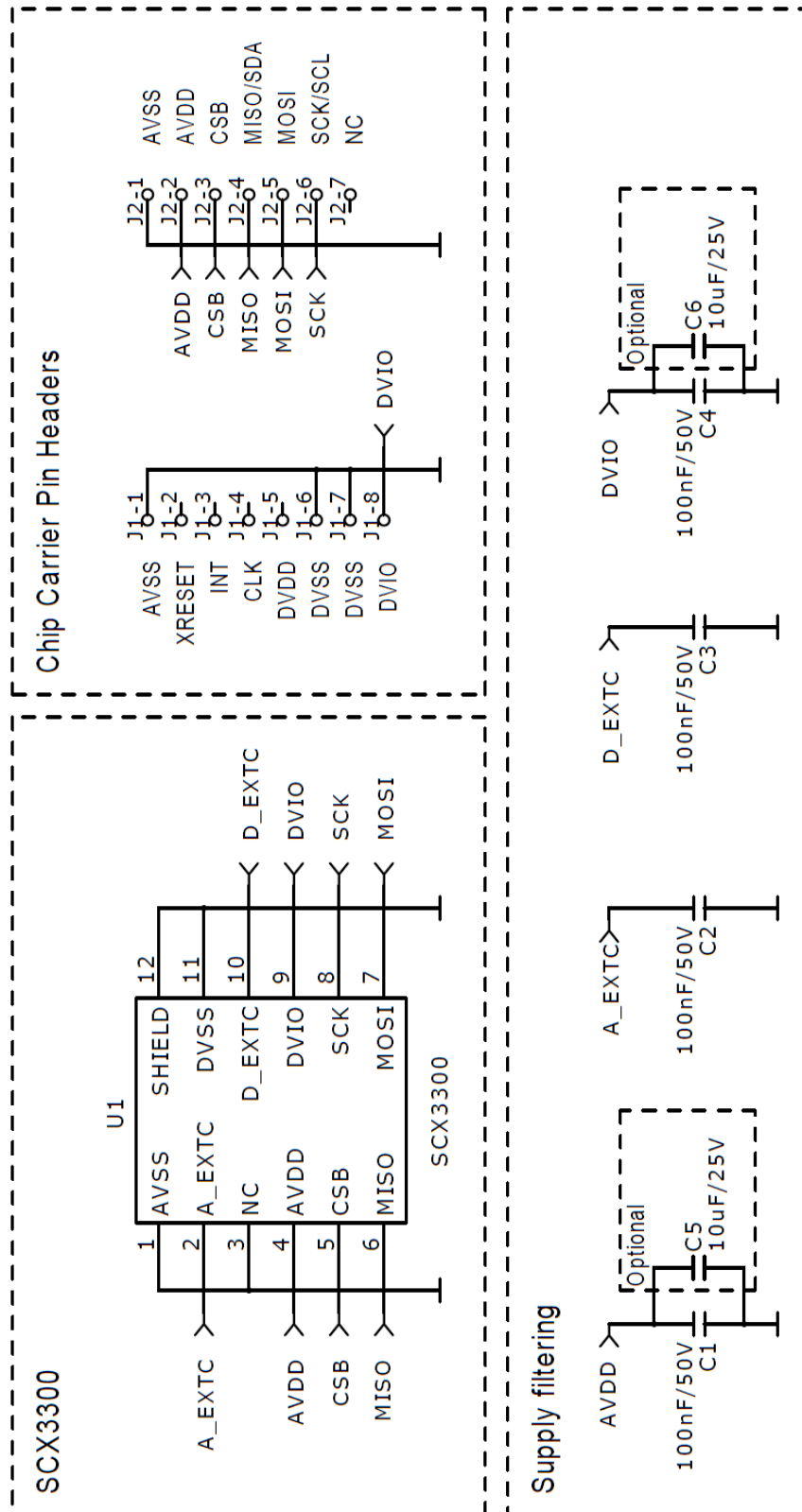


Figure 4. SCx3300 PCB circuit diagram.