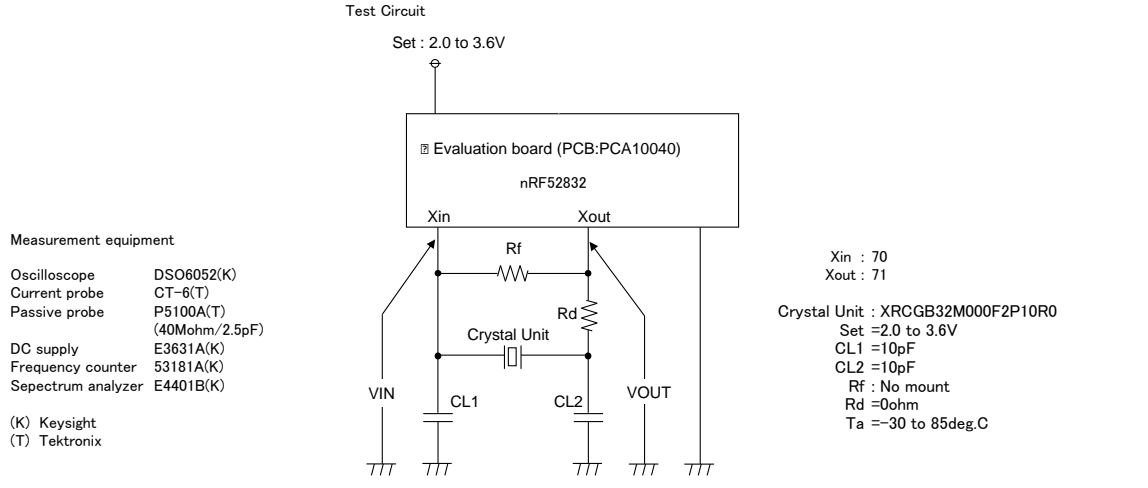


Murata's recommendation 推奨回路定数

Item		Condition
IC name		IC名 nRF52832
Parts Number of Crystal Unit		品番 XRCGB32M000F2P10R0
Circuit Parameter	External load capacitance	負荷容量 CL1 10pF
		負荷容量 CL2 10pF
	Feedback resistance	帰還抵抗 Rf No mount
	Damping resistance	制限抵抗 Rd 0ohm
Supply Voltage Range		電源電圧範囲 2.0 to 3.6V
Temp. Range		温度範囲 -30 to 85deg.C



Characteristics of oscillation circuit on above condition 推奨定数での発振回路特性

Circuit Characteristics 特性	Value 測定値	Remarks 備考
Center Frequency and Difference 発振回路における発振周波数とそのずれ量 (*1) (Typical sample at Set=3.3V,+25deg.C)	32.000000 [MHz]	Oscillating frequency and its shift against nominal frequency 発振回路における発振周波数と振動子の公称周波数に対するずれ量
	0 [ppm]	
Load Capacitance on your PCB 負荷容量値 (Typical sample at Set=3.3V,+25deg.C)	6.0 [pF]	This value shows load capacitance the evaluated circuit has 発振回路において振動子の両端に仮想的に接続される容量
Negative Resistance and Oscillation margin 負性抵抗／発振余裕度 (at Set=3.3V,+25deg.C)	−R 1036 [Ω]	The details is explained in page 2 詳細につきましては、次頁をご参照下さい。
	Ratio 14.8 [Times]	
Drive Level ドライブレベル (Typical sample at Set=3.3V,+25deg.C)	11 [uW]	Drive power of crystal under circuit condition 発振回路が動作している状態において振動子で消費される電力
Oscillating Voltage 発振電圧 (Typical sample at Set=3.3V,+25deg.C)	VINp-p 0.6 [V]	Swing level at input side 発振入力振幅 (VIN_H - VIN_L)
	VOUTp-p 0.7 [V]	Swing level at output side 発振出力振幅 (VOUT_H - VOUT_L)
Oscillation Start up Time 起動時間 (*2) (Typical sample at Set=3.3V,+25deg.C)	0.31 [ms]	The time takes steady amplitude of Vout(Xout) 定常状態の発振振幅に達するまでの時間

*1 Frequency difference means the oscillating frequency difference between your PCB and Murata's frequency sorting circuit.
貴社基板と当社検査回路では、同一振動子を使用した場合でも発振周波数の差が生じます。これを発振周波数相間と呼びます。
*2 The measurement results is affected by the rise-up characteristics of supplied voltage on your PCB.
測定結果は実装基板の電源立ち上がり特性の影響を受けます。

Notes
The characteristics of the crystal oscillation circuit is affected by the circuit constants and actual mounting conditions and so on. Therefore, it is possible to get the different results from above one due to the production variation of the crystal oscillator circuitry. In your company, please use this results after confirmation of the matching between our crystal unit and oscillator circuit. And furthermore, since the above-mentioned evaluation results evaluate only an oscillating circuit block, please confirm the checking of operations of a set in your company.

注意事項
発振回路の特性は回路定数や実装状態により影響を受けるため、回路や基板のパラツキ等によっては上記の結果と異なる可能性があります。貴社におかれましても弊社水晶振動子と発振回路とのマッチングをご確認の上、ご使用下さるようお願い致します。また上記評価結果は発振回路ブロックのみを評価したものですので、セットの動作確認は貴社にてご確認下さるようお願い致します。

■ Test Data : Characteristics of recommended conditions

Center frequency 32.000000 MHz

Center frequency difference 0 ppm from 32MHz

This frequency difference causes imbalance of initial frequency tolerance on your PCB, because of load capacitance difference.

Load capacitance of the circuit 6.0 pF

This value shows load capacitance the evaluated circuit has.

Our crystal proposed in this report is sorted with 6pF as load capacitance

Negative resistance

Ratio of negative resistance $|-R|$ to $R1_{spec}$.

Ratio 14.8 times

Ratio = $|-R| / R1_{spec}$.

$|-R|$ 1036 ohm
Negative resistance $|-R| = R_{s_max} + R_e$

R_{s_max} : 1000 ohm
Maximum series resistance for Crystal Unit to keep oscillation

R_e : 36.0 ohm
Effective resistance of Crystal Unit at actual oscillation frequency

$R1_{spec}$: 70 ohm
Equivalent series resistance

Drive level

Drive power of crystal under circuit condition shown in page 1

Drive level 11 uW

Drive level = $I^2 \times R1$

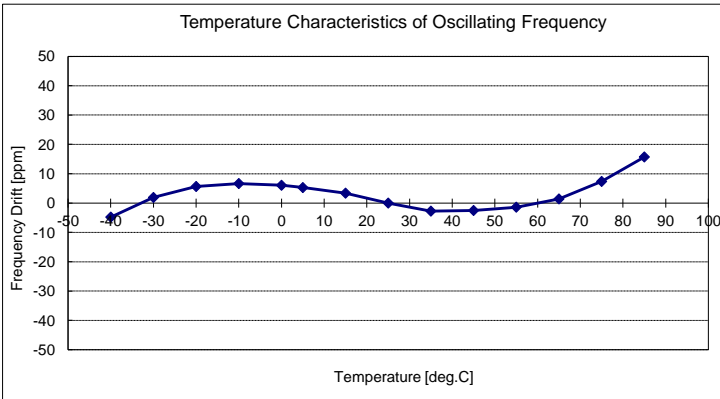
I : 0.62 mA (RMS)
Current through Crystal Unit measured by current probe

$R1$: 28.5 ohm

■ Test Data : Characteristics of recommended conditions

Temperature Characteristics

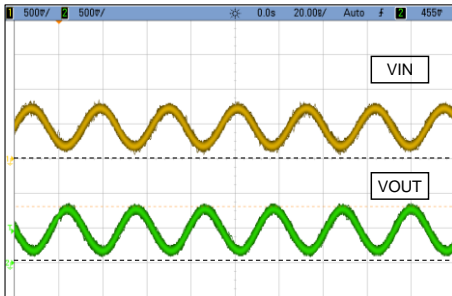
MODEL : XRCGB32M000F2P10R0 with nRF52832



Typical sample at Set=3.3V

Oscillation waveform

MODEL : XRCGB32M000F2P10R0 with nRF52832



VIN [V]			VOUT [V]		
High	Low	p-p	High	Low	p-p
0.7	0.1	0.6	0.9	0.2	0.7

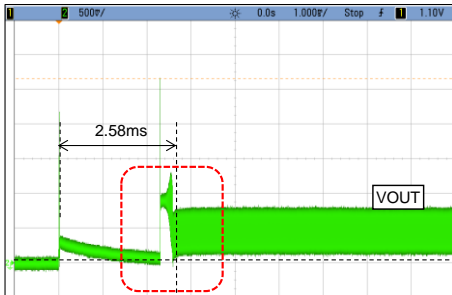
Typical sample at Set=3.3V, +25deg.C

[VIN] Vertical: 0.5V/div., Horizontal: 20ns/div.
Broken line: GND

[VOUT] Vertical: 0.5V/div., Horizontal: 20ns/div.
Broken line: GND

Oscillation start up waveform

MODEL : XRCGB32M000F2P10R0 with nRF52832

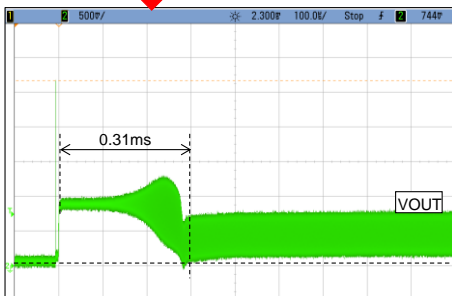


Start up time
The time takes steady amplitude of Vout(Xout) after oscillation circuit starts working.

Typical sample at Set=3.3V, +25deg.C

[VOUT] Vertical: 0.5V/div., Horizontal: 1ms/div.
Broken line: GND

Zoom



[VOUT] Vertical: 0.5V/div., Horizontal: 100us/div.
Broken line: GND