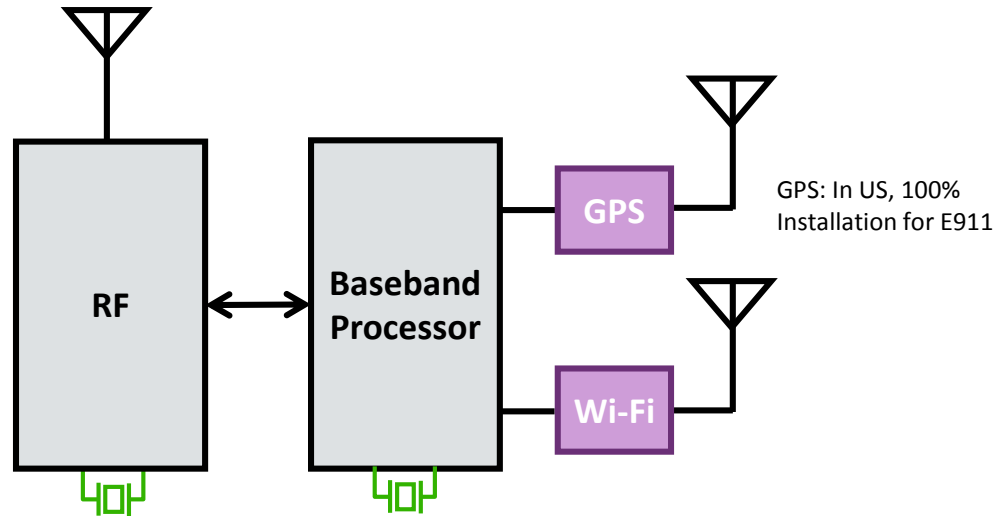



# Timing Devices in Small Cell



Small powered radio access nodes



Type	Size	Murata Timing Devices / Frequency		Function
 <b>Crystal Oscillators (Precision TCXO)</b>	5.0 x 3.2 mm	<a href="#">XNCLH series</a> <a href="#">XTCLH series</a>	10.000 to 50.000 MHz	For RF, Baseband