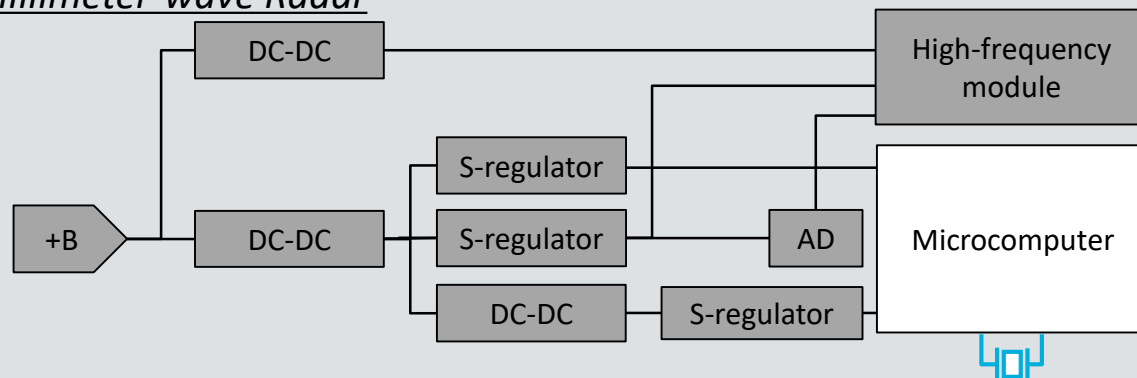


Block Diagram for Millimeter-wave Radar & Laser Radar

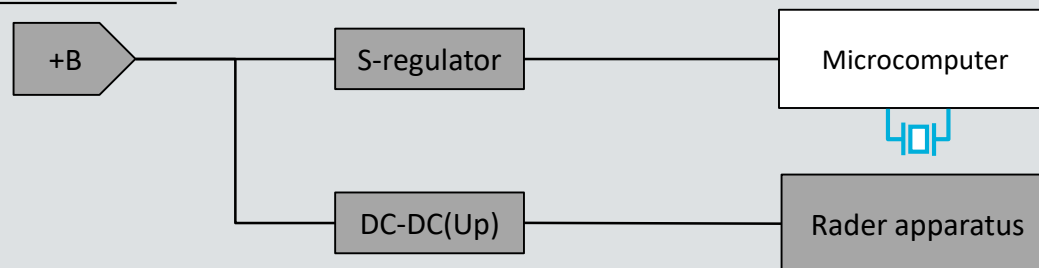


Block Diagram


Millimeter-wave Radar



Laser Radar



Timing device

Appearance	Type	Series P/N	SPEC
	Crystal Unit	Representative P/N XRCGB30M000F5A00R0 (for MCU) XRCGB40M000F5A00R0 (for MCU)	Frequency Tolerance : +/-135ppm