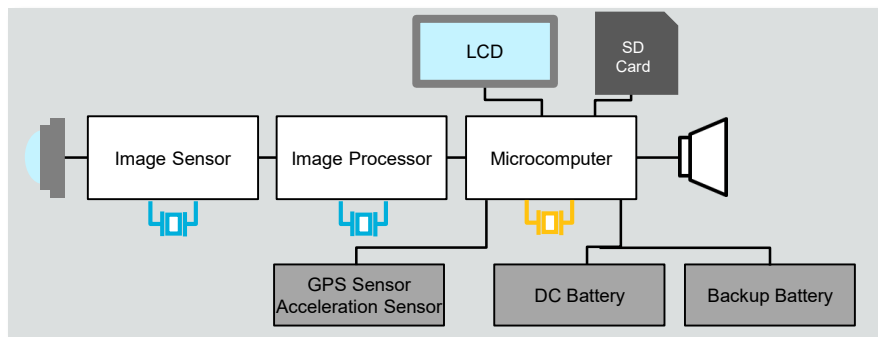




Block Diagram for Drive Recorder



Appearance	Device	Series P/N	SPEC
	Ceramic Resonator	CSTNR-G-C series (4MHz to 7.99MHz) CSTNE-G-C series (8MHz to 13.99MHz) CSTNE-V-C series (14MHz to 20MHz) CSTNE-V-T series (16MHz, 20MHz, 24MHz)	Frequency Tolerance : +/-2700ppm (C series) +/-2300ppm (T series)
	Crystal Unit	Representative P/N XRCGB24M000F3A00R0 XRCGB27M000F3A00R0 (for Image Sensor/Processor)	Frequency Tolerance : +/-85ppm
	Piezoelectric Sounders (SMD Type)	PKLCS1212E24A0-R1 (Sound Freq.: 2.4kHz) PKLCS1212E40A1-R1 (Sound Freq.: 4kHz)	Sound Pressure Level: 75dBmin (@+/-1.5Vo-p, Square wave, 10cm)
	Piezoelectric Sounders (Pin Type)	Representative P/N PKM13EPYH4000-A0 (Sound Freq.: 4kHz)	Sound Pressure Level: 70dBmin (@+/-1.5Vo-p, Square wave, 10cm)