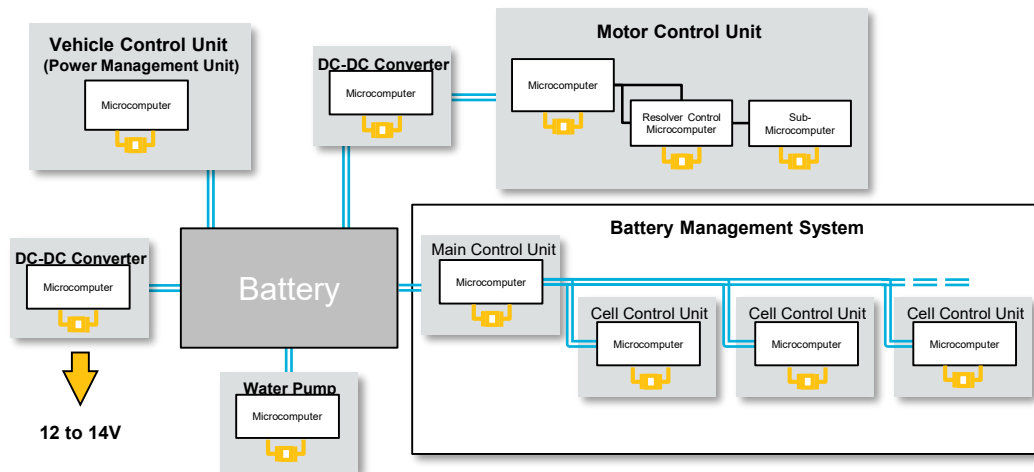





Block Diagram for EV/HEV



Appearance	Device	Series P/N	SPEC
	Ceramic Resonator	<u>CSTNR-G-C</u> series (4MHz to 7.99MHz) <u>CSTNE-G-C</u> series (8MHz to 13.99MHz) <u>CSTNE-V-C</u> series (14MHz to 20MHz) <u>CSTNE-V-T</u> series (16MHz, 20MHz, 24MHz)	Frequency Tolerance : +/-2700ppm (C series) +/-2300ppm (T series)