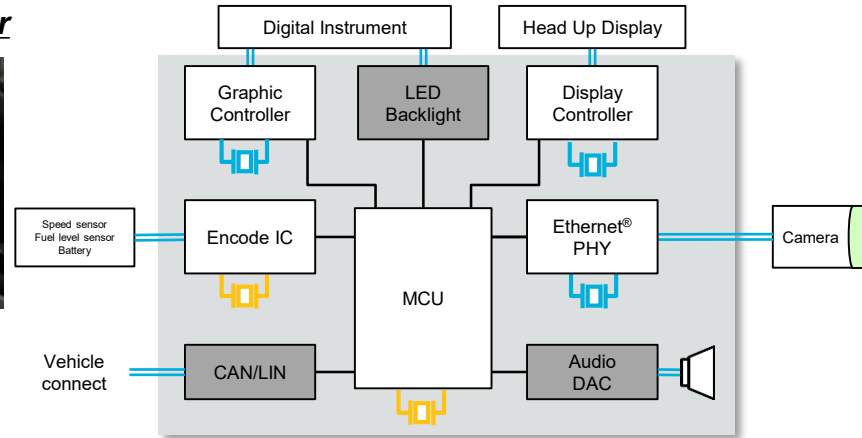


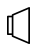





Block Diagram for Digital Instrument Cluster

Digital Instrument Cluster



Appearance	Device	Series P/N	SPEC
	Ceramic Resonator	<u>CSTNR-G-C</u> series (4MHz to 7.99MHz) <u>CSTNE-G-C</u> series (8MHz to 13.99MHz) <u>CSTNE-V-C</u> series (14MHz to 20MHz) <u>CSTNE-V-T</u> series (16MHz, 20MHz, 24MHz)	Frequency Tolerance : +/-2700ppm (C series) +/-2300ppm (T series)
	Crystal Unit	<u>XRCGB-F-A</u> series (24MHz to 48MHz)	Frequency Tolerance : +/-85ppm, +/-135ppm
	Piezoelectric Sounders	<u>PKLCS1212E24A0-R1</u> <u>PKLCS1212E40A1-R1</u>	SPL 80dB(Typ.) @10cm, ±1.5Vo-p square wave SPL 84dB(Typ.) @10cm, ±1.5Vo-p square wave
	Piezoelectric Sounders	<u>PKMCS1818E20A0-R1</u>	SPL 100dB(Typ.) @10cm, +12Vo-p square wave



Murata proposal parts list for Digital Instrument Cluster



IC information		Murata product information		
IC Maker	IC Part Number	Crystal unit Part Number	Frequency [MHz]	Size [mm]
NXP Semiconductors	i.MX8QXP8QM	<u>XRCGB24M000F3A00R0</u>	24.0000	2.0 x 1.6 x 0.7