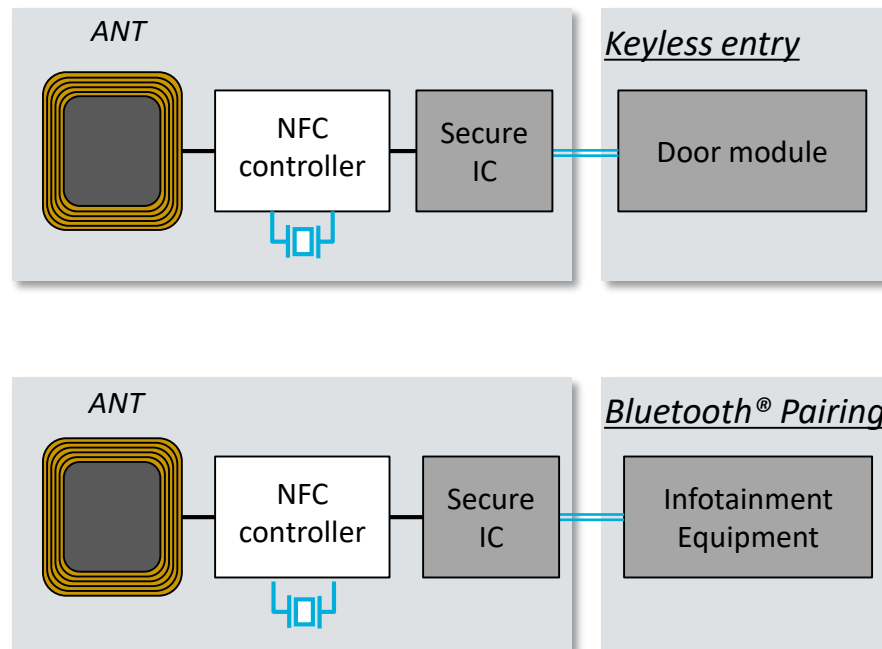



Block Diagram for NFC pairing



Block Diagram



Timing device

Appearance	Type	Series P/N	SPEC
	Crystal Unit	<u>XRCGB27M120F3A00R0</u>	Frequency Tolerance : +/-85ppm



Murata proposal parts list for NFC/Wireless charger



IC information		Murata product information		
IC Maker	IC Part Number	Crystal unit Part Number	Frequency [MHz]	Size [mm]
NXP Semiconductors	MCF3340	<u>XRCGB27M120F3A00R0</u>	27.1200	2.0 x 1.6 x 0.7