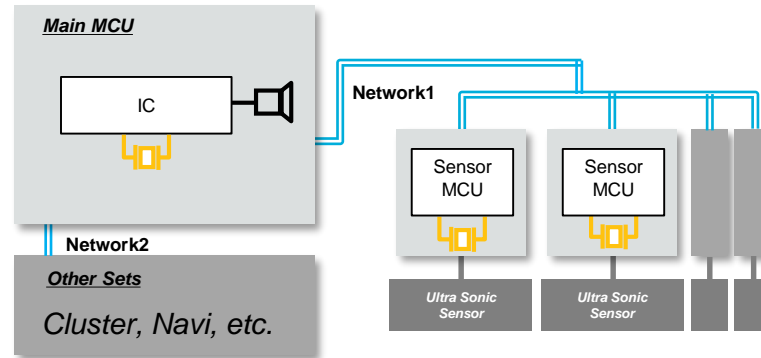
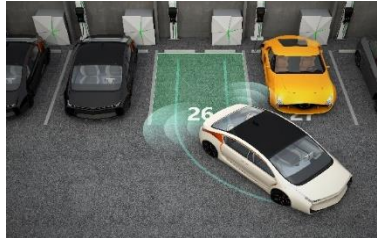




Block Diagram for Parking Assist System



Appearance	Device	Series P/N	SPEC
	Ceramic Resonator (Standard Tol.)	<u>CSTCR-G-B</u> series (4MHz to 7.99MHz) <u>CSTNE-G-A</u> series (8MHz to 13.99MHz) <u>CSTNE-V-C</u> series (14MHz to 20MHz)	Frequency Tolerance : +/-8000ppm
	Ceramic Resonator (Tight Tol.)	<u>CSTNR-G-C</u> series (4MHz to 7.99MHz) <u>CSTNE-G-C</u> series (8MHz to 13.99MHz) <u>CSTNE-V-C</u> series (14MHz to 20MHz) <u>CSTNE-V-T</u> series (16MHz, 20MHz, 24MHz)	Frequency Tolerance : +/-2700ppm (C series) +/-2300ppm (T series)