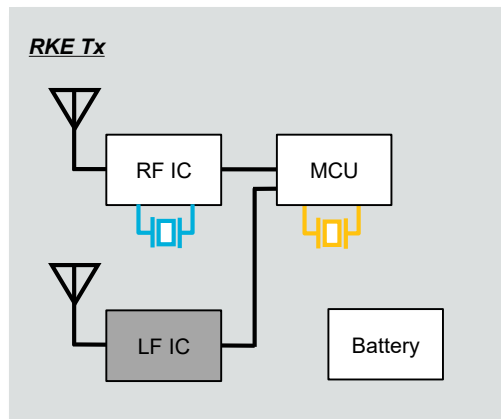







Block Diagram for Remote Keyless Entry Tx



Appearance	Device	Series P/N	SPEC
 	Ceramic Resonator	CSTNR-G-C series (4MHz to 7.99MHz) CSTNE-G-C series (8MHz to 13.99MHz) CSTNE-V-C series (14MHz to 20MHz) CSTNE-V-T series (16MHz, 20MHz, 24MHz)	Frequency Tolerance : +/-2700ppm (C series) +/-2300ppm (T series)
 	Crystal Unit	Representative P/N XRCGB27M600F2C00R0 (for RF control)	Frequency Tolerance : +/-60ppm (-30 to 85 °C)
	Battery	CR Standard series	Operating Temperature Range : Standard series : -30°C to 75°C