

BNX022-01#

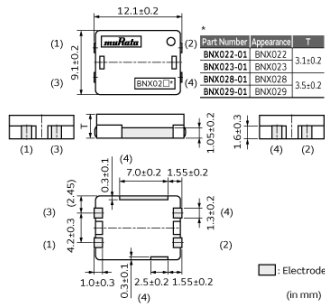
“#” indicates a package specification code.



< List of part numbers with package codes >

BNX022-01B BNX022-01K BNX022-01L

Appearance & Shape



Features

BNX02□ series is SMD type high performance and provides excellent noise suppression on DC power lines.

Features

1. Large rated current (10A-15A)
2. Supporting wide frequency range
From 15kHz to 1GHz:35dB min. (BNX029)
3. Mounting area and volume is reduced.
4. Effective for impulse noise such as electrostatic discharge or spike noise.

Applications

1. Displays (PDP/LCD-TV)
2. Digital AVEquipment
3. Amusement equipment
4. PC peripheral equipment
5. Industry equipment, measurement equipment, power supplies

Applications

Other Usage	For general
-------------	-------------

Packaging Information

Packaging	Specifications	Minimum Order Quantity
B	Bulk(Bag)	100
K	330mm Embossed Tape	1500
L	180mm Embossed Tape	400

Attention

- 1.This datasheet is downloaded from the website of Murata Manufacturing Co., Ltd. Therefore, it's specifications are subject to change or our products in it may be discontinued without advance notice. Please check with our sales representatives or product engineers before ordering.
- 2.This datasheet has only typical specifications because there is no space for detailed specifications.
Therefore, please review our product specifications or consult the approval sheet for product specifications before ordering.

BNX022-01#

“#” indicates a package specification code.



Specifications

Shape	SMD
Length	12.1mm
Length Tolerance	±0.2mm
Width	9.1mm
Width Tolerance	±0.2mm
Thickness	3.1mm
Thickness Tolerance	±0.2mm
Rated Current	20A
Operating Temperature Range	-40°C to 125°C
Mass(typ.)	0.8g
Rated Voltage	50Vdc
Withstanding Voltage	125Vdc
Insulation Resistance(min.)	500MΩ
Insertion Loss	1MHz to 1GHz:35dB min. (Line impedance=50Ω)

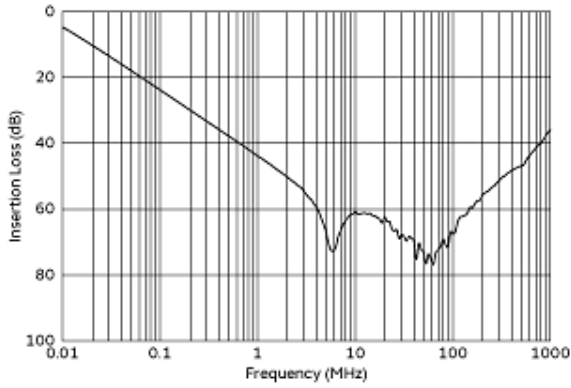
Attention

- 1.This datasheet is downloaded from the website of Murata Manufacturing Co., Ltd. Therefore, it's specifications are subject to change or our products in it may be discontinued without advance notice. Please check with our sales representatives or product engineers before ordering.
- 2.This datasheet has only typical specifications because there is no space for detailed specifications.
 Therefore, please review our product specifications or consult the approval sheet for product specifications before ordering.

BNX022-01#

"#" indicates a package specification code.

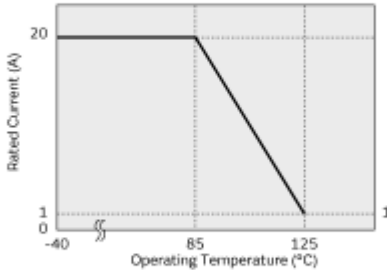
Product Data



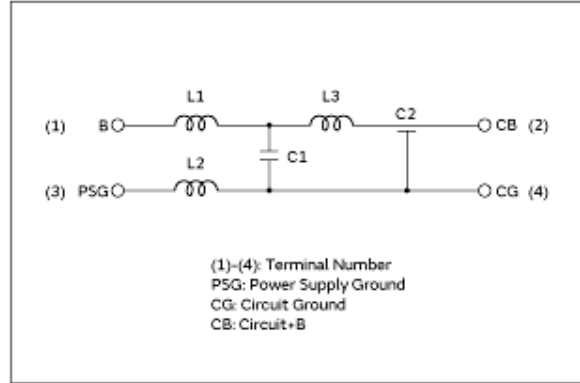
Insertion Loss Characteristics

In operating temperature exceeding +85°C, derating of current is necessary for BNX022/023/029/024H/025H/026H/027H series. Please apply the derating curve shown in chart according to the operating temperature.

Derating of Rated Current



Derating of Rated Current



Equivalent Circuit

Attention

- 1.This datasheet is downloaded from the website of Murata Manufacturing Co., Ltd. Therefore, it's specifications are subject to change or our products in it may be discontinued without advance notice. Please check with our sales representatives or product engineers before ordering.
- 2.This datasheet has only typical specifications because there is no space for detailed specifications.
Therefore, please review our product specifications or consult the approval sheet for product specifications before ordering.