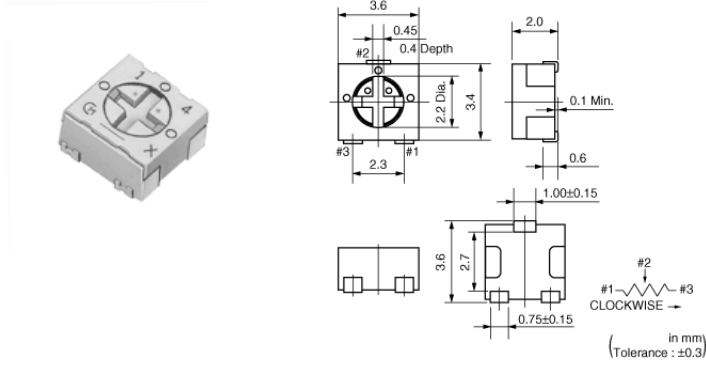


# PVG3A204C01B00

Discontinued **RoHS** **REACH**

## Appearance & Shape



## Features

1. Sealed construction protects the interior from dust and liquid, which achieves stable performance.
2. Driver plate with cross-slot is suitable for automatic adjustment.
3. Rotor with large diameter and deep groove improves driver insertion.
4. 3mm and 4mm land pattern can be used without change. (Gull-wing is suitable for 4mm size land pattern.)

## Packaging Information

Packaging	Specifications	Minimum Order Quantity
B00	Bulk(Bag)	500

### Attention

1. This datasheet is downloaded from the website of Murata Manufacturing Co., Ltd. Therefore, its specifications are subject to change or our products in it may be discontinued without advance notice. Please check with our sales representatives or product engineers before ordering.
2. This datasheet has only typical specifications because there is no space for detailed specifications. Therefore, please review our product specifications or consult the approval sheet for product specifications before ordering.

# PVG3A204C01B00



## Specifications

Power Rating	0.25W	Measure Condition of RatedPower	70°C
Shape	SMD	Operating Temperature Range	-55°C to 125°C
Maximum Working Voltage	200Vdc	Mass	0.06g
Adjustment Direction	Top		
Size	3mm		
Auto Adjustment	Yes		
Number of Turns (Effective Rotation Angle)	1(210°±10°)		
Mechanical Rotation Angle	250+/-10 deg.		
Total Resistance Value	200kΩ		
Total Resistance Value Tolerance	±20%		
Temperature Coefficient of Resistance	±150ppm/°C		
Resistance Taper	B(Linear)		
Contact Resistance Variation	2% of standard total resistance or 3ohm max., whichever is greater		
Residual Resistance	1% of standard total resistance or 2ohm max., whichever is greater		
Soldering Method	Reflow Soldering Iron		
Torque	4.9mN m max.		

### Attention

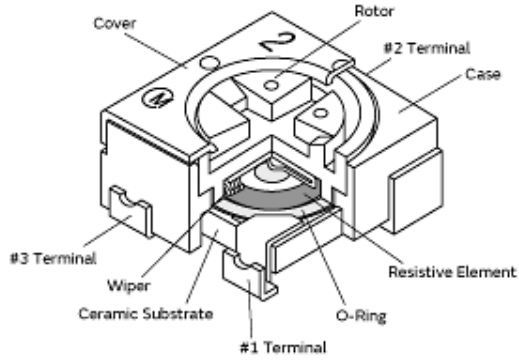
1.This datasheet is downloaded from the website of Murata Manufacturing Co., Ltd. Therefore, it's specifications are subject to change or our products in it may be discontinued without advance notice. Please check with our sales representatives or product engineers before ordering.

2.This datasheet has only typical specifications because there is no space for detailed specifications.

Therefore, please review our product specifications or consult the approval sheet for product specifications before ordering.

# PVG3A204C01B00

## Product Data



### Constructions

#### Attention

- 1.This datasheet is downloaded from the website of Murata Manufacturing Co., Ltd. Therefore, it's specifications are subject to change or our products in it may be discontinued without advance notice. Please check with our sales representatives or product engineers before ordering.
- 2.This datasheet has only typical specifications because there is no space for detailed specifications.  
Therefore, please review our product specifications or consult the approval sheet for product specifications before ordering.