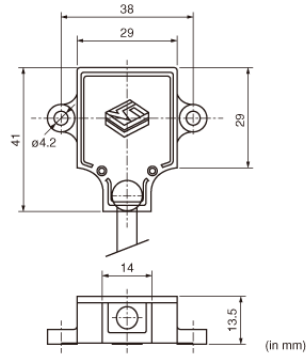


# SCA121T-D05

To be discontinued

REACH

## Appearance & Shape



## Packaging Information

Packaging	Specifications	Minimum Order Quantity
-	Box	20

### Attention

1.This datasheet is downloaded from the website of Murata Manufacturing Co., Ltd. Therefore, it's specifications are subject to change or our products in it may be discontinued without advance notice. Please check with our sales representatives or product engineers before ordering.

2.This datasheet has only typical specifications because there is no space for detailed specifications.

Therefore, please review our product specifications or consult the approval sheet for product specifications before ordering.

# SCA121T-D05

## Specifications

Output Type	Analog
Axis	2
Maximum Range	$\pm 1g \pm 90deg$
Supply Voltage	$5 \pm 0.25V$
Offset Temp. Characteristic	$\pm 0.5deg$
Sensitivity	2V/G
Amplitude Response	18Hz
Mass	60g

### Attention

- 1.This datasheet is downloaded from the website of Murata Manufacturing Co., Ltd. Therefore, it's specifications are subject to change or our products in it may be discontinued without advance notice. Please check with our sales representatives or product engineers before ordering.
- 2.This datasheet has only typical specifications because there is no space for detailed specifications.  
Therefore, please review our product specifications or consult the approval sheet for product specifications before ordering.