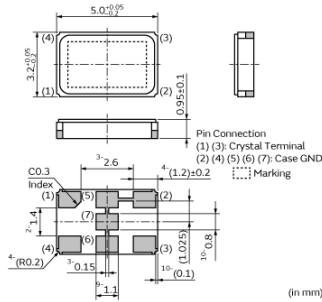


XRCLH21M250F1QA0P0

In Production RoHS REACH

Appearance & Shape



Features

With unique metal sealing technology, this product realizes an excellent frequency stability over temperature. They are suitable for various types of digital communication equipment.

Applications

Other Usage	Industrial
-------------	------------

Packaging Information

Packaging	Specifications	Minimum Order Quantity
P0	255mm Plastic Tape	2000

Attention

1.This datasheet is downloaded from the website of Murata Manufacturing Co., Ltd. Therefore, it's specifications are subject to change or our products in it may be discontinued without advance notice. Please check with our sales representatives or product engineers before ordering.
2.This datasheet has only typical specifications because there is no space for detailed specifications.
Therefore, please review our product specifications or consult the approval sheet for product specifications before ordering.

XRCLH21M250F1QA0P0

Specifications

Type	TAS-5032F
Frequency	21.2500MHz
Frequency Tolerance	±10ppm max. (25±3°C)
Operating Temperature Range	-30°C to 85°C
Frequency Shift by Temperature	±15ppm max.
Frequency Aging	±1ppm max./year(±3ppm max./5years)
Wash	Not available
Load Capacitance	8pF
Equivalent Series Resistance(max.)	40Ω
Drive Level(max.)	30μW
Shape	SMD
L x W (size)	5.0x3.2mm

Attention

1.This datasheet is downloaded from the website of Murata Manufacturing Co., Ltd. Therefore, it's specifications are subject to change or our products in it may be discontinued without advance notice. Please check with our sales representatives or product engineers before ordering.

2.This datasheet has only typical specifications because there is no space for detailed specifications.

Therefore, please review our product specifications or consult the approval sheet for product specifications before ordering.