

# DLW5BTM142SQ2#

“#” indicates a package specification code.

In Production

RoHS

REACH

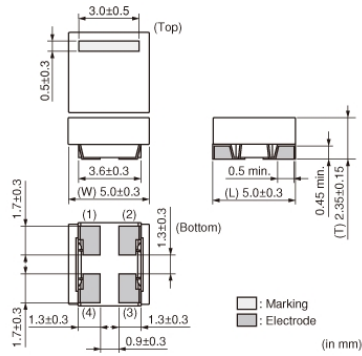
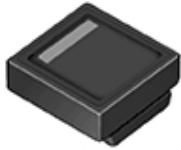
< List of part numbers with package codes >

DLW5BTM142SQ2B

DLW5BTM142SQ2K

DLW5BTM142SQ2L

## Appearance & Shape



## Packaging Information

| Packaging | Specifications      | Standard Packing Quantity |
|-----------|---------------------|---------------------------|
| B         | Bulk(Bag)           | 100                       |
| K         | 330mm Embossed Tape | 2500                      |
| L         | 180mm Embossed Tape | 700                       |

## Applications

|             |             |
|-------------|-------------|
| Other Usage | For general |
|-------------|-------------|

### Attention

- 1.This datasheet is downloaded from the website of Murata Manufacturing Co., Ltd. Therefore, it's specifications are subject to change or our products in it may be discontinued without advance notice. Please check with our sales representatives or product engineers before ordering.
- 2.This datasheet has only typical specifications because there is no space for detailed specifications. Therefore, please review our product specifications or consult the approval sheet for product specifications before ordering.

# DLW5BTM142SQ2#

“#” indicates a package specification code.

## Features

Low profile (h=2.5mm) chip common mode choke coil.  
Suitable for noise suppression at DC power lines.

### Features

1. Low profile (h=2.5mm)
2. Small size (5.0x5.0mm) and high rated current (1.5 to 6A)
3. High common mode Impedance (max. 1400 ohm, at 100MHz)

### Applications

Noise suppression for power line

1. Power line equipment
  - DC-DC converters
  - Battery chargers
2. Portable equipment
  - PDAs (Personal Digital Assistants)
  - Note PCs
  - Printers

### Attention


1.This datasheet is downloaded from the website of Murata Manufacturing Co., Ltd. Therefore, it's specifications are subject to change or our products in it may be discontinued without advance notice. Please check with our sales representatives or product engineers before ordering.

2.This datasheet has only typical specifications because there is no space for detailed specifications.

Therefore, please review our product specifications or consult the approval sheet for product specifications before ordering.

# DLW5BTM142SQ2#

“#” indicates a package specification code.



## Specifications

|  |    |
|--|----|
| Operating Temperature Range(Self-temperature rise is included) | No |
|--|----|

|   |               |
|---|---------------|
| Shape                                       | SMD           |
| Size Code (in mm)                           | 5050          |
| Size Code (in inch)                         | 2020          |
| Length                                      | 5.0mm         |
| Length Tolerance                            | ±0.3mm        |
| Width                                       | 5.0mm         |
| Width Tolerance                             | ±0.3mm        |
| Thickness                                   | 2.35mm        |
| Thickness Tolerance                         | ±0.15mm       |
| Common Mode Impedance (at 100MHz)           | 1400Ω         |
| Common Mode Impedance (at 100MHz) Tolerance | (Typ.)        |
| Common Mode Impedance (at 10MHz)            | 100Ω          |
| Common Mode Impedance (at 10MHz) Tolerance  | min.          |
| Rated Current                               | 1.5A          |
| Derating of Rated Current                   | No            |
| Rated Voltage                               | 50Vdc         |
| Withstanding Voltage                        | 125Vdc        |
| DC Resistance(max.)                         | 0.056Ω        |
| DC Resistance                               | 0.056Ω max.   |
| Insulation Resistance(min.)                 | 10MΩ          |
| Operating Temperature Range                 | -40°C to 85°C |
| Mass(typ.)                                  | 0.21g         |
| Number of Circuit                           | 1             |

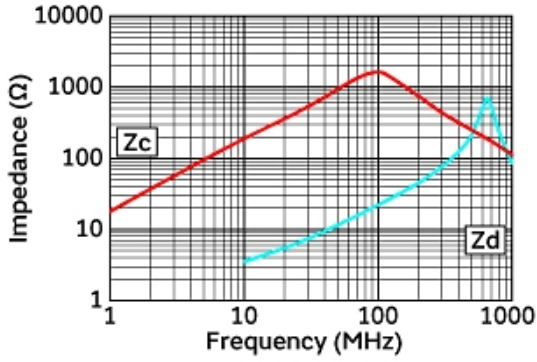
### Attention

- 1.This datasheet is downloaded from the website of Murata Manufacturing Co., Ltd. Therefore, it's specifications are subject to change or our products in it may be discontinued without advance notice. Please check with our sales representatives or product engineers before ordering.
- 2.This datasheet has only typical specifications because there is no space for detailed specifications. Therefore, please review our product specifications or consult the approval sheet for product specifications before ordering.

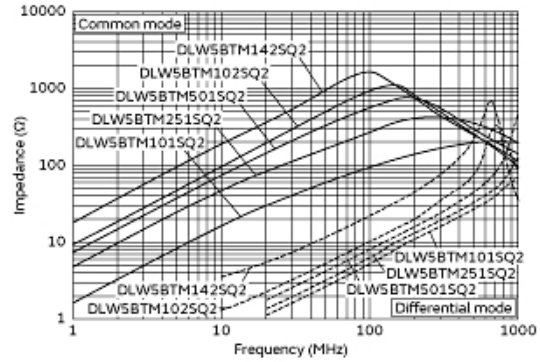
# DLW5BTM142SQ2#

“#” indicates a package specification code.

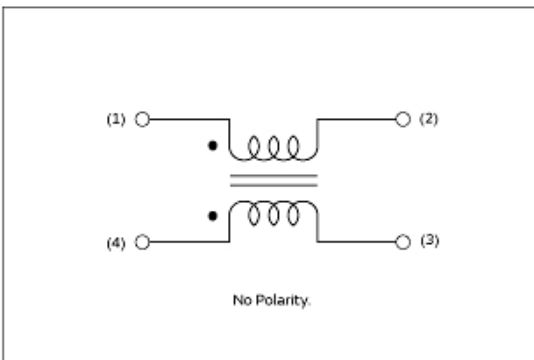
## Product Data



Impedance-Frequency Characteristics



Impedance-Frequency Characteristics (Main Items)



Equivalent Circuit

**Attention**

- 1.This datasheet is downloaded from the website of Murata Manufacturing Co., Ltd. Therefore, it's specifications are subject to change or our products in it may be discontinued without advance notice. Please check with our sales representatives or product engineers before ordering.
- 2.This datasheet has only typical specifications because there is no space for detailed specifications. Therefore, please review our product specifications or consult the approval sheet for product specifications before ordering.