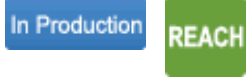
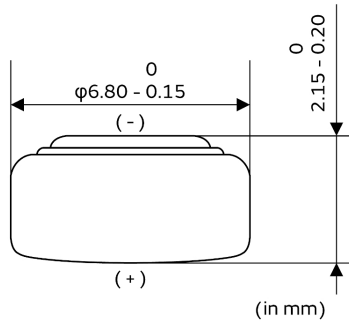


# SR621

Silver oxide batteries are suitable for quartz watches, medical devices and precision instruments. All models are 100% made in Japan, and environmentally friendly (0% mercury).



## Appearance & Shape



## Features

### • High energy density

High energy density has been achieved owing to the Murata's original high-precision material-mixing technology. The use of antioxidant, high performance separators also contributes to improved storage characteristics.

### • Excellent stable discharge characteristics

Constant voltage output is available during the discharging.

### • Excellent leakage resistance

Murata-unique sealing structure, coupled with special sealing-material treatment, has helped accomplish the excellent leakage resistance.

### • RoHS Directive / European Directives

This product does not contain Mercury(Hg), Cadmium(Cd), nor Lead(Pb), and conforms to EC regulation values. (Directive 2006/66/EC, 2013/56/EU)

Battery pack are excluded from RoHS directive. (DIRECTIVE 2011/65/EU OF THE EUROPEAN PARLIAMENT AND OF THE COUNCIL of 8 June 2011 on the restriction of the use of certain hazardous substances in electrical and electronic equipment)

## Applications

Other Usage	<ul style="list-style-type: none"> <li>• Medical · Capsule endoscopy</li> <li>· Insulin pumps · CGM(Continuous Glucose Monitoring) · Drug delivery systems</li> <li>• IoT/Others · Tracking devices</li> </ul>
-------------	--

### Attention

1.This datasheet is downloaded from the website of Murata Manufacturing Co., Ltd. Therefore, it's specifications are subject to change or our products in it may be discontinued without advance notice. Please check with our sales representatives or product engineers before ordering.

2.This datasheet has only typical specifications because there is no space for detailed specifications.

Therefore, please review our product specifications or consult the approval sheet for product specifications before ordering.

# SR621

## Specifications

Battery type	Silver Oxide Batteries
Nominal Voltage	1.55V
Nominal Capacity	20mAh
Operating Temperature Range	-10°C to 60°C
Diameter (inch)	0.268inch
Diameter (mm)	6.8mm
Height (inch)	0.085inch
Height (mm)	2.15mm
IEC (JIS)	SR60
Mass (oz)	0.0113oz
Mass (g)	0.32g

### Attention

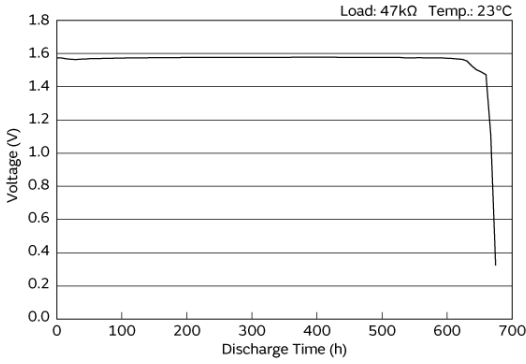
1.This datasheet is downloaded from the website of Murata Manufacturing Co., Ltd. Therefore, it's specifications are subject to change or our products in it may be discontinued without advance notice. Please check with our sales representatives or product engineers before ordering.

2.This datasheet has only typical specifications because there is no space for detailed specifications.

Therefore, please review our product specifications or consult the approval sheet for product specifications before ordering.

# SR621

## Product Data



### Discharge Characteristic

#### Attention

- 1.This datasheet is downloaded from the website of Murata Manufacturing Co., Ltd. Therefore, it's specifications are subject to change or our products in it may be discontinued without advance notice. Please check with our sales representatives or product engineers before ordering.
- 2.This datasheet has only typical specifications because there is no space for detailed specifications.  
Therefore, please review our product specifications or consult the approval sheet for product specifications before ordering.