

LQH44NNR74M03#

“#” indicates a package specification code.

Size Code 4040 (1515) in mm (in inch), General use

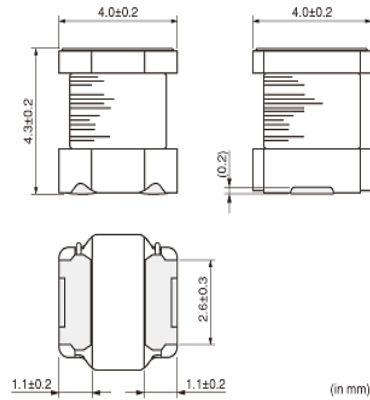


< List of part numbers with package codes >

LQH44NNR74M03K

LQH44NNR74M03L

Appearance & Shape



References

Packaging	Specifications	Minimum Order Quantity
K	330Embossed Tape	1500
L	180Embossed Tape	250

Mass (typ.)	
1 piece	0.26g

Notices

When rated current is applied to the products, inductance will be within $\pm 30\%$ of initial inductance value. When rated current is applied to the products, the temperature rise caused by self-generated heat shall be limited to 40°C max.

Attention

- 1.This datasheet is downloaded from the website of Murata Manufacturing Co., Ltd. Therefore, it's specifications are subject to change or our products in it may be discontinued without advance notice. Please check with our sales representatives or product engineers before ordering.
- 2.This datasheet has only typical specifications because there is no space for detailed specifications. Therefore, please review our product specifications or consult the approval sheet for product specifications before ordering.

LQH44NNR74M03#

“#” indicates a package specification code.



Specifications

L size	4.0±0.2mm
W size	4.0±0.2mm
T size	4.3±0.2mm
Size code inch (mm)	1515 (4040)
Inductance	0.74μH±20%
Inductance Test Frequency	1kHz
Rated current (Itemp) (Based on Temperature rise)	3.50A
Max. of DC resistance	0.0143Ω
Operating Temperature Range (Self-temperature rise is included)	-40°C to 125°C
Class of magnetic shield	No Shield
Self resonance frequency (min.)	150MHz
Operating Temperature Range(Self-temperature rise is not included)	-40°C to 85°C
DC Resistance Intermediate Values	0.011Ω±30%
Series	LQH44NN_03

Attention

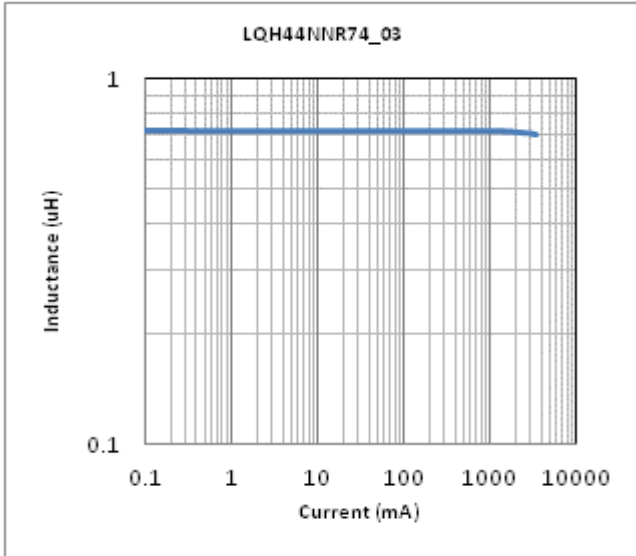
- 1.This datasheet is downloaded from the website of Murata Manufacturing Co., Ltd. Therefore, it's specifications are subject to change or our products in it may be discontinued without advance notice. Please check with our sales representatives or product engineers before ordering.
- 2.This datasheet has only typical specifications because there is no space for detailed specifications. Therefore, please review our product specifications or consult the approval sheet for product specifications before ordering.

LQH44NNR74M03#

“#” indicates a package specification code.



Characteristic Data



Impedance - Current Characteristics

Attention

1.This datasheet is downloaded from the website of Murata Manufacturing Co., Ltd. Therefore, it's specifications are subject to change or our products in it may be discontinued without advance notice. Please check with our sales representatives or product engineers before ordering.

2.This datasheet has only typical specifications because there is no space for detailed specifications.

Therefore, please review our product specifications or consult the approval sheet for product specifications before ordering.