

# LQW31HN8N8J03#

"#" indicates a package specification code.

Size Code 3216 (1206) in mm (in inch), Wound Type

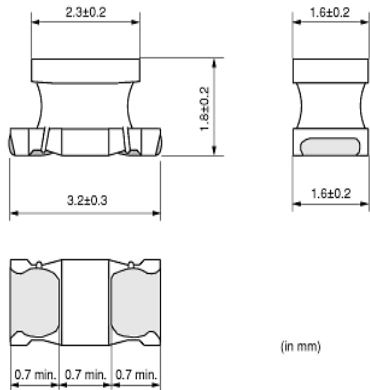
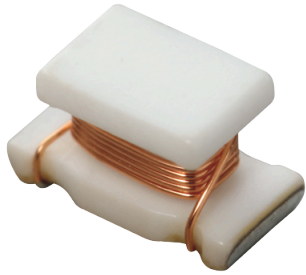
In Production
General
RoHS
REACH
85 °C max.
Wound (Non mag)
Reflow OK
Flow OK

|         |       |
|---------|-------|
| 1 piece | 0.02g |
|---------|-------|

< List of part numbers with package codes >

LQW31HN8N8J03K      LQW31HN8N8J03L

## Appearance & Shape



## References

| Packaging | Specifications   | Minimum Order Quantity |
|-----------|------------------|------------------------|
| K         | 330Embossed Tape | 7500                   |
| L         | 180Embossed Tape | 2000                   |

Mass (typ.)

### Attention

- This datasheet is downloaded from the website of Murata Manufacturing Co., Ltd. Therefore, its specifications are subject to change or our products in it may be discontinued without advance notice. Please check with our sales representatives or product engineers before ordering.
- This datasheet has only typical specifications because there is no space for detailed specifications. Therefore, please review our product specifications or consult the approval sheet for product specifications before ordering.

# LQW31HN8N8J03#

“#” indicates a package specification code.



## Specifications

|  |               |
|--|---------------|
| L size   | 3.2±0.3mm     |
| W size   | 1.6±0.2mm     |
| T size   | 1.8±0.2mm     |
| Size code inch (mm)  | 1206 (3216)   |
| Inductance   | 8.8nH±5%      |
| Inductance Test Frequency  | 100MHz        |
| Rated current (Itemp)<br>(Based on Temperature rise)                     | 750mA         |
| Max. of DC resistance  | 0.0406Ω       |
| Q(min.)  | 50            |
| Q Test Frequency   | 436MHz        |
| Self resonance frequency<br>(min.)                                       | 1000MHz       |
| Operating Temperature<br>Range(Self-temperature rise<br>is not included) | -40°C to 85°C |
| DC Resistance Intermediate<br>Values                                     | 0.029Ω±40%    |
| Series   | LQW31HN_03    |

### Attention

1.This datasheet is downloaded from the website of Murata Manufacturing Co., Ltd. Therefore, it's specifications are subject to change or our products in it may be discontinued without advance notice. Please check with our sales representatives or product engineers before ordering.

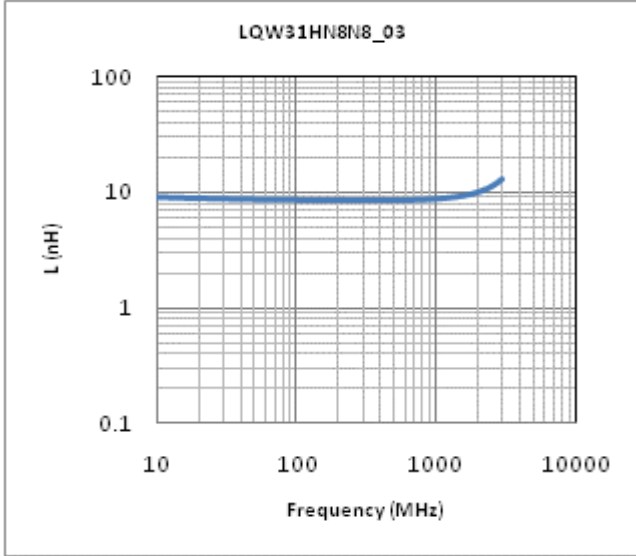
2.This datasheet has only typical specifications because there is no space for detailed specifications.

Therefore, please review our product specifications or consult the approval sheet for product specifications before ordering.

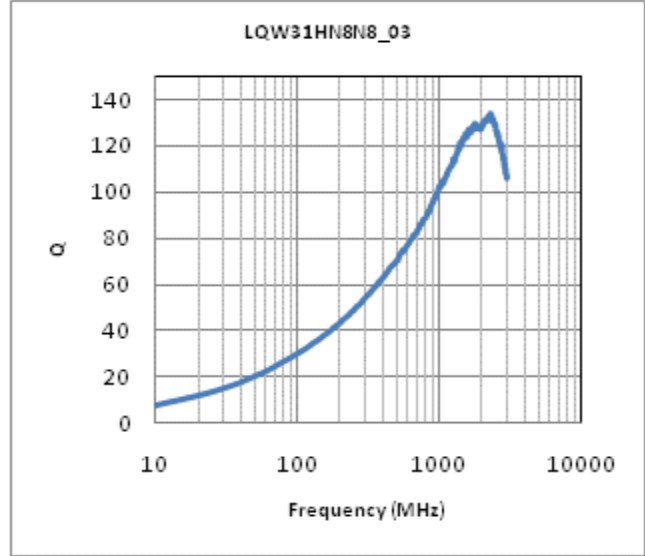
# LQW31HN8N8J03#

"#" indicates a package specification code.

## Characteristic Data



Inductance - Frequency Characteristics



Q-Frequency Characteristics

**Attention**

- 1.This datasheet is downloaded from the website of Murata Manufacturing Co., Ltd. Therefore, it's specifications are subject to change or our products in it may be discontinued without advance notice. Please check with our sales representatives or product engineers before ordering.
- 2.This datasheet has only typical specifications because there is no space for detailed specifications. Therefore, please review our product specifications or consult the approval sheet for product specifications before ordering.