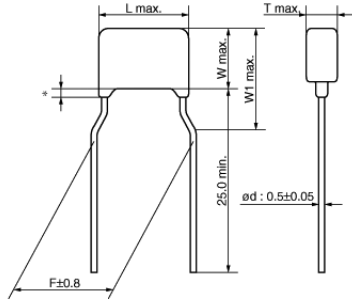


RHEL82A103K0K1H03B



Appearance & Shape



* Coating extension does not exceed the end of the lead bend.
· Lead Wire : Solder Coated Copper Wire or Solder Coated CP Wire (in mm)

References

Packaging	Specifications	Minimum Order Quantity
B	Bulk(Bag)	500

Notices

Meet LF(Lead Free)[※LF : Lead content is less than 1000 ppm.], HF(Halogen Free)

Attention

- 1.This datasheet is downloaded from the website of Murata Manufacturing Co., Ltd. Therefore, it's specifications are subject to change or our products in it may be discontinued without advance notice. Please check with our sales representatives or product engineers before ordering.
- 2.This datasheet has only typical specifications because there is no space for detailed specifications.
Therefore, please review our product specifications or consult the approval sheet for product specifications before ordering.

RHEL82A103K0K1H03B

Specifications

L size or Outer diameter D	3.6mm max.
Width	3.5mm max.
T size	2.5mm max.
Lead spacing F	5.0±0.8mm
Lead diameter d	0.5±0.05mm
Capacitance	10000pF ±10%
Rated voltage	100Vdc
Temperature characteristics	X8L(MURATA)
Capacitance change rate	+15/-40%
Temperature range of temperature characteristics	-55°C to 150°C
Operating Temperature Range	-55°C to 150°C
W1 size	6.0mm

Attention

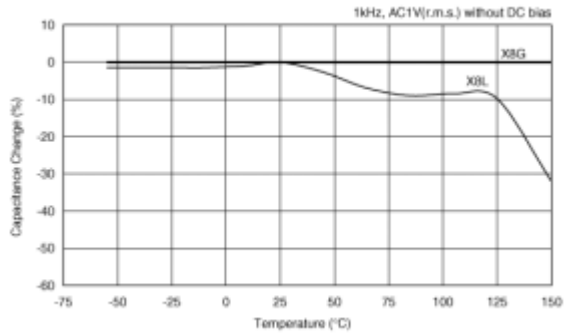
1.This datasheet is downloaded from the website of Murata Manufacturing Co., Ltd. Therefore, it's specifications are subject to change or our products in it may be discontinued without advance notice. Please check with our sales representatives or product engineers before ordering.

2.This datasheet has only typical specifications because there is no space for detailed specifications.

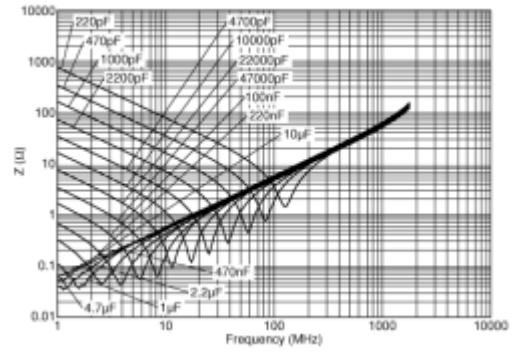
Therefore, please review our product specifications or consult the approval sheet for product specifications before ordering.

RHEL82A103K0K1H03B

Product Data



Capacitance - temperature characteristics



Impedance - frequency characteristics

Attention

- 1.This datasheet is downloaded from the website of Murata Manufacturing Co., Ltd. Therefore, it's specifications are subject to change or our products in it may be discontinued without advance notice. Please check with our sales representatives or product engineers before ordering.
 - 2.This datasheet has only typical specifications because there is no space for detailed specifications.
- Therefore, please review our product specifications or consult the approval sheet for product specifications before ordering.