

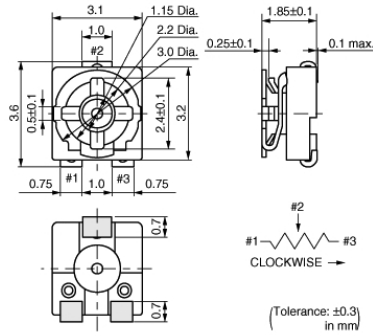
PVZ3A473C01R00

Discontinued

RoHS

REACH

Appearance & Shape



Features

1. Excellent solderability characteristics are achieved via special plating techniques on each termination.
2. Specially designed substrate prevents wicking of flux onto the top of the part body.

Packaging Information

Packaging	Specifications	Standard Packing Quantity
R00	180mm Embossed Tape	2000

Attention

1. This datasheet is downloaded from the website of Murata Manufacturing Co., Ltd. Therefore, its specifications are subject to change or our products in it may be discontinued without advance notice. Please check with our sales representatives or product engineers before ordering.
2. This datasheet has only typical specifications because there is no space for detailed specifications. Therefore, please review our product specifications or consult the approval sheet for product specifications before ordering.

PVZ3A473C01R00



Specifications

Power Rating	0.1W
Shape	SMD
Maximum Working Voltage	50Vdc
Adjustment Direction	Top
Size	3mm
Auto Adjustment	Yes
Number of Turns (Effective Rotation Angle)	1(230°±10°)
Mechanical Rotation Angle	Endless
Total Resistance Value	47kΩ
Total Resistance Value Tolerance	±30%
Temperature Coefficient of Resistance	±500ppm/°C
Resistance Taper	B (Linear)
Contact Resistance Variation	5% max. of nominal total resistance value
Residual Resistance	2% max. of nominal total resistance value
Torque	2.0 to 19.6mN · m
Measure Condition of RatedPower	50°C
Operating Temperature Range	-25°C to 85°C
Mass	0.04g

Attention

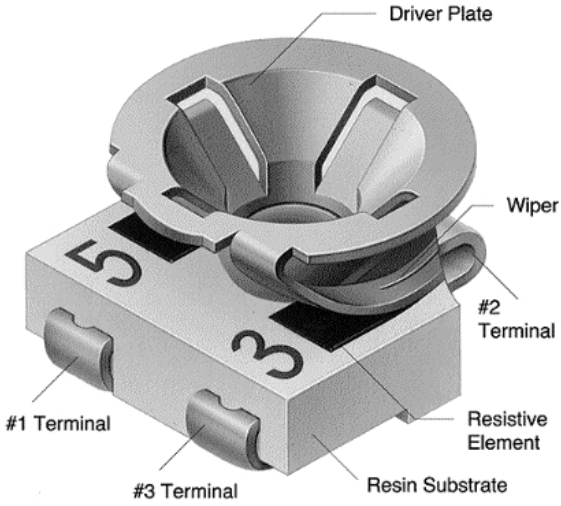
1.This datasheet is downloaded from the website of Murata Manufacturing Co., Ltd. Therefore, it's specifications are subject to change or our products in it may be discontinued without advance notice. Please check with our sales representatives or product engineers before ordering.

2.This datasheet has only typical specifications because there is no space for detailed specifications.

Therefore, please review our product specifications or consult the approval sheet for product specifications before ordering.

PVZ3A473C01R00

Product Data



Constructions

Attention

1.This datasheet is downloaded from the website of Murata Manufacturing Co., Ltd. Therefore, it's specifications are subject to change or our products in it may be discontinued without advance notice. Please check with our sales representatives or product engineers before ordering.

2.This datasheet has only typical specifications because there is no space for detailed specifications.

Therefore, please review our product specifications or consult the approval sheet for product specifications before ordering.