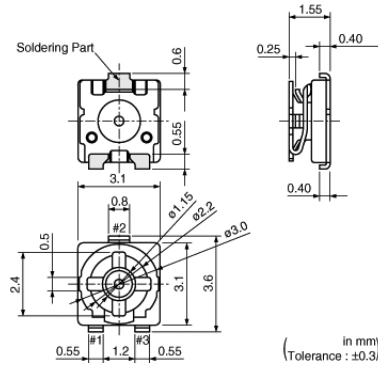
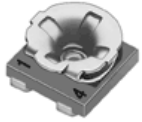


# PVZ3H103C01B00



## Appearance & Shape



## Features

1. Excellent solderability characteristics are achieved via special plating techniques on each termination.
2. Specially designed substrate prevents wicking of flux onto the top of the part body.

## Packaging Information

Packaging	Specifications	Minimum Order Quantity
B00	Bulk(Bag)	1000

### Attention

1.This datasheet is downloaded from the website of Murata Manufacturing Co., Ltd. Therefore, it's specifications are subject to change or our products in it may be discontinued without advance notice. Please check with our sales representatives or product engineers before ordering.  
2.This datasheet has only typical specifications because there is no space for detailed specifications.  
Therefore, please review our product specifications or consult the approval sheet for product specifications before ordering.

# PVZ3H103C01B00



## Specifications

Power Rating	0.1W	Measure Condition of RatedPower	50°C
Shape	SMD	Operating Temperature Range	-25°C to 85°C
Maximum Working Voltage	50Vdc	Mass	0.04g
Adjustment Direction	Top		
Size	3mm		
Auto Adjustment	Yes		
Number of Turns (Effective Rotation Angle)	1(230°±10°)		
Mechanical Rotation Angle	Endless		
Total Resistance Value	10kΩ		
Total Resistance Value Tolerance	±30%		
Temperature Coefficient of Resistance	±500ppm/°C		
Resistance Taper	B (Linear)		
Contact Resistance Variation	5% max. of nominal total resistance value		
Residual Resistance	2% max. of nominal total resistance value		
Soldering Method	Reflow Soldering Iron		
Torque	1.0 to 19.6mN·m		

### Attention

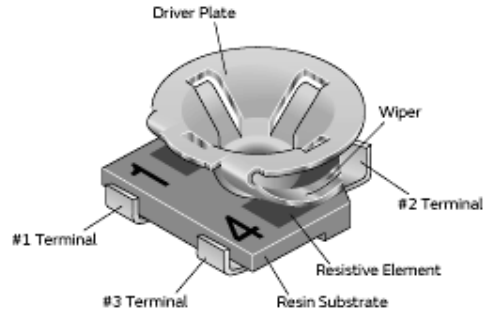
1.This datasheet is downloaded from the website of Murata Manufacturing Co., Ltd. Therefore, it's specifications are subject to change or our products in it may be discontinued without advance notice. Please check with our sales representatives or product engineers before ordering.

2.This datasheet has only typical specifications because there is no space for detailed specifications.

Therefore, please review our product specifications or consult the approval sheet for product specifications before ordering.

# PVZ3H103C01B00

## Product Data



### Constructions

#### Attention

- 1.This datasheet is downloaded from the website of Murata Manufacturing Co., Ltd. Therefore, it's specifications are subject to change or our products in it may be discontinued without advance notice. Please check with our sales representatives or product engineers before ordering.
- 2.This datasheet has only typical specifications because there is no space for detailed specifications.  
Therefore, please review our product specifications or consult the approval sheet for product specifications before ordering.