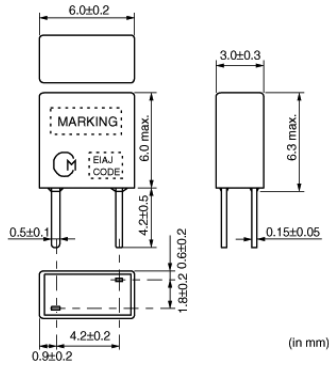


CDBLB455KCAX18-B0



Appearance & Shape



Features

Ceramic discriminator consists of a wide band piezoelectric resonator. It is ideal for mobile communications equipment due to its small size and light weight. Standard line includes products for a wide range of applications, from cordless telecom to cellular telephone. Practically adjustment free at the detection circuit, small size is suitable for downsizing.

Features

1. Small in size and light weight
2. Adjustment free at detection circuit
3. High sensitivity and stability
4. Wide range of standard products are available for various ICs.
5. Operating temperature range: -20 to +80 (°C), Storage temperature range: -40 to +85 (°C)

Applications

Other Usage	Communication Equipment
-------------	-------------------------

Packaging Information

Packaging	Specifications	Minimum Order Quantity
-B0	Bulk	500

Attention

1. This datasheet is downloaded from the website of Murata Manufacturing Co., Ltd. Therefore, its specifications are subject to change or our products in it may be discontinued without advance notice. Please check with our sales representatives or product engineers before ordering.
2. This datasheet has only typical specifications because there is no space for detailed specifications.
Therefore, please review our product specifications or consult the approval sheet for product specifications before ordering.

CDBLB455KCAX18-B0

Specifications

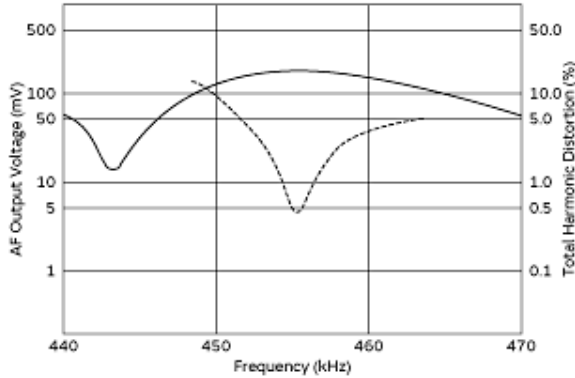
Operating Temperature Range	-20°C to 80°C
Shape	Lead
Center Frequency	455.0kHz
Nominal Center Value	Yes
Recovered Audio 3dB BW	$f_n \pm 3.0\text{kHzmin.}$
Distortion(max.)	2%
Area of Distortion	2.0%max.(at f_n)
Recovered Audio Output	180mV \pm 40
IC	MC3371
IC Maker	MOTOROLA

Attention

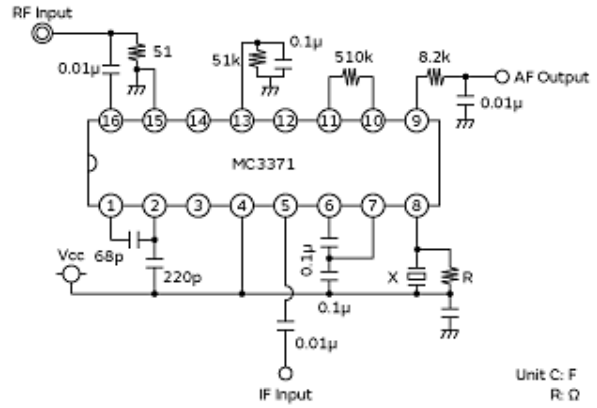
- 1.This datasheet is downloaded from the website of Murata Manufacturing Co., Ltd. Therefore, it's specifications are subject to change or our products in it may be discontinued without advance notice. Please check with our sales representatives or product engineers before ordering.
- 2.This datasheet has only typical specifications because there is no space for detailed specifications.
Therefore, please review our product specifications or consult the approval sheet for product specifications before ordering.

CDBLB455KCAX18-B0

Product Data



Frequency Characteristics



Test Condition
Vcc = +4.0V
R = 6.2kΩ
X: CDBLB455KCAX18-B0

Measurement Circuit

Unit C: F
R: Ω

Attention

- 1.This datasheet is downloaded from the website of Murata Manufacturing Co., Ltd. Therefore, it's specifications are subject to change or our products in it may be discontinued without advance notice. Please check with our sales representatives or product engineers before ordering.
- 2.This datasheet has only typical specifications because there is no space for detailed specifications.
Therefore, please review our product specifications or consult the approval sheet for product specifications before ordering.