

PLT5BPH5013R1SN#

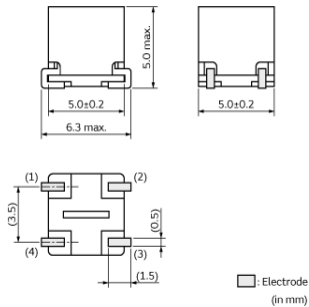
“#” indicates a package specification code.



< List of part numbers with package codes >

PLT5BPH5013R1SNL PLT5BPH5013R1SNB

Appearance & Shape



Features

Features

1. It can be used under the -55 °C ~ +150 °C usage environment.
2. Meets large current up to 5.6A max. suitable for power lines.
3. Meets to surface mounting.
4. Large common mode impedance up to 500ohm (at 10mhz) enables good noise suppression effect.

Application

Common mode noise suppression in automotive equipments, audio amps for automotive, car navigations, and other general power lines.

Applications

Automotive Usage	Powertrain/Safety
------------------	-------------------

Packaging Information

Packaging	Specifications	Standard Packing Quantity
L	180mm Embossed Tape	300
B	Bulk(Bag)	50

Attention

1. This datasheet is downloaded from the website of Murata Manufacturing Co., Ltd. Therefore, its specifications are subject to change or our products in it may be discontinued without advance notice. Please check with our sales representatives or product engineers before ordering.
2. This datasheet has only typical specifications because there is no space for detailed specifications. Therefore, please review our product specifications or consult the approval sheet for product specifications before ordering.

PLT5BPH5013R1SN#

“#” indicates a package specification code.



Specifications

Shape	SMD
Size Code (in mm)	5050
Size Code (in inch)	2020
Length	5.0mm
Length Tolerance	±0.2mm
Width	5.0mm
Width Tolerance	±0.2mm
Thickness	5.0mm
Thickness Tolerance	max.
Common Mode Impedance (at 10MHz)	500Ω
Common Mode Impedance (at 10MHz) Tolerance	(Typ.)
Rated Current	3.1A
Derating of Rated Current	Yes (Over 125°C) *For details, please check the derating diagram.
Rated Voltage	80Vdc
Withstanding Voltage	200Vdc
DC Resistance(max.)	22.1mΩ
DC Resistance	17mΩ±30%
Insulation Resistance(min.)	10MΩ
Operating Temperature Range	-55°C to 150°C
Mass(typ.)	0.48g
Number of Circuit	1
Operating Temperature Range(Self-temperature rise is included)	No

Attention

1.This datasheet is downloaded from the website of Murata Manufacturing Co., Ltd. Therefore, it's specifications are subject to change or our products in it may be discontinued without advance notice. Please check with our sales representatives or product engineers before ordering.

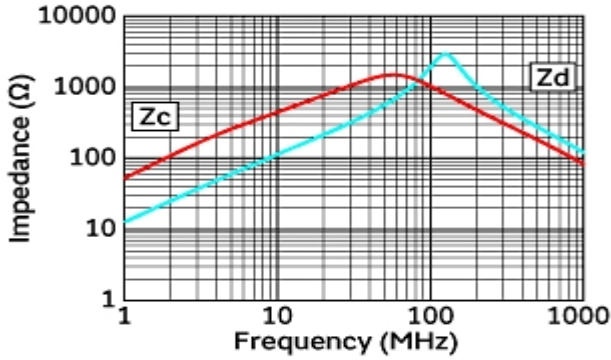
2.This datasheet has only typical specifications because there is no space for detailed specifications.

Therefore, please review our product specifications or consult the approval sheet for product specifications before ordering.

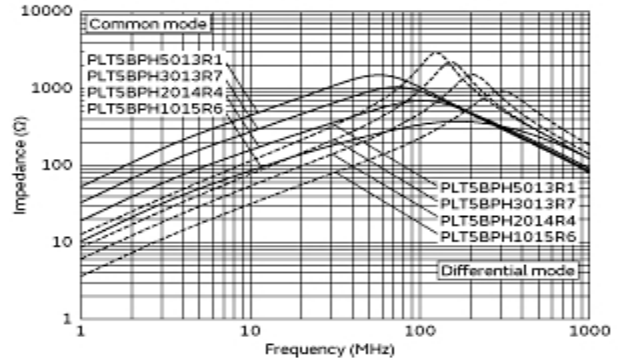
PLT5BPH5013R1SN#

“#” indicates a package specification code.

Product Data



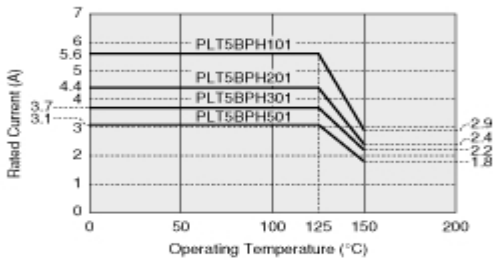
Impedance-Frequency Characteristics



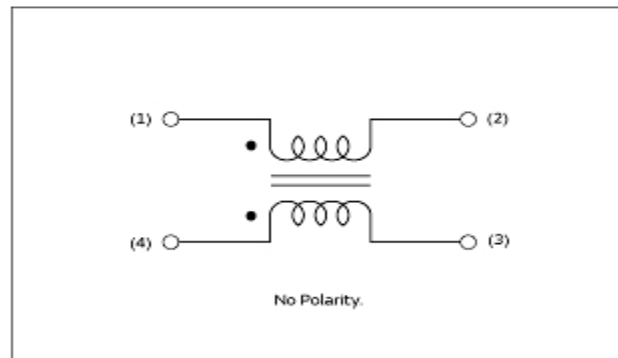
Impedance-Frequency Characteristics (Main Items)

In operating temperature exceeding +125°C, derating of current is necessary for PLT5BP series. Please apply the derating curve shown in chart according to the operating temperature.

Derating of Rated Current



Derating of Rated Current



Equivalent Circuit

Attention

1. This datasheet is downloaded from the website of Murata Manufacturing Co., Ltd. Therefore, its specifications are subject to change or our products in it may be discontinued without advance notice. Please check with our sales representatives or product engineers before ordering.
2. This datasheet has only typical specifications because there is no space for detailed specifications. Therefore, please review our product specifications or consult the approval sheet for product specifications before ordering.