

# BNX024H01#

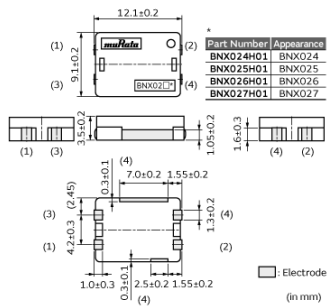
“#” indicates a package specification code.



< List of part numbers with package codes >

BNX024H01K BNX024H01L BNX024H01B

## Appearance & Shape



## Features

BNX024H/025H/026H/027H (Block Type EMIFIL for automotive) is EMI suppression filter supporting large current, wide frequency.

And it also supports SMD mounting.

This product is effective for noise suppression for DC switching line of automotive device and FA/OA device, because it covers wide temperature range from -55C degrees to 125 C degrees.

### Features

1. Supporting large current (15A)
2. Supporting wide frequency range  
From 40kHz to 1GHz:35dB min.(BNX027)
3. Suitable for miniaturization with SMD shape.

## Applications

|                  |                   |
|------------------|-------------------|
| Automotive Usage | Powertrain/Safety |
|------------------|-------------------|

### Applications

Automotive devices/Displays (PDP/LCD-TV)/  
Digital AV equipments/Amusement equipments/  
PC peripheral equipments/Industry equipments/  
Measurement equipments/Power supplies

## Packaging Information

| Packaging | Specifications      | Minimum Order Quantity |
|-----------|---------------------|------------------------|
| K         | 330mm Embossed Tape | 1500                   |
| L         | 180mm Embossed Tape | 400                    |
| B         | Bulk(Bag)           | 100                    |

### Attention

1.This datasheet is downloaded from the website of Murata Manufacturing Co., Ltd. Therefore, it's specifications are subject to change or our products in it may be discontinued without advance notice. Please check with our sales representatives or product engineers before ordering.

2.This datasheet has only typical specifications because there is no space for detailed specifications.

Therefore, please review our product specifications or consult the approval sheet for product specifications before ordering.

# BNX024H01#

“#” indicates a package specification code.

## Specifications

|                             |   |
|-----------------------------|---|
| Shape                       | SMD   |
| Length                      | 12.1mm  |
| Length Tolerance            | ±0.2mm  |
| Width                       | 9.1mm   |
| Width Tolerance             | ±0.2mm  |
| Thickness                   | 3.5mm   |
| Thickness Tolerance         | ±0.2mm  |
| Rated Current               | 20A   |
| Operating Temperature Range | -55°C to 125°C                                |
| Mass(typ.)                  | 0.86g   |
| Rated Voltage               | 50Vdc   |
| Withstanding Voltage        | 125Vdc  |
| Insulation Resistance(min.) | 100MΩ   |
| Insertion Loss              | 100kHz to 1GHz:35dB min. (Line impedance=50Ω) |

### Attention

1.This datasheet is downloaded from the website of Murata Manufacturing Co., Ltd. Therefore, it's specifications are subject to change or our products in it may be discontinued without advance notice. Please check with our sales representatives or product engineers before ordering.

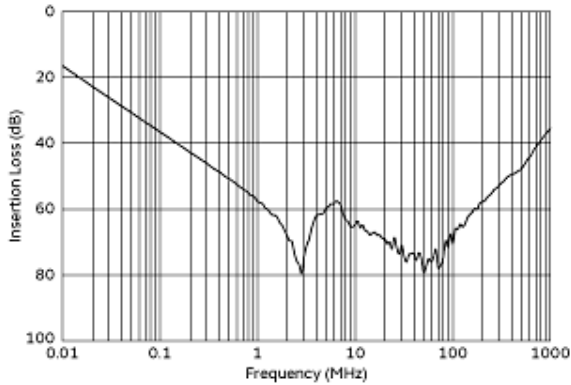
2.This datasheet has only typical specifications because there is no space for detailed specifications.

Therefore, please review our product specifications or consult the approval sheet for product specifications before ordering.

# BNX024H01#

“#” indicates a package specification code.

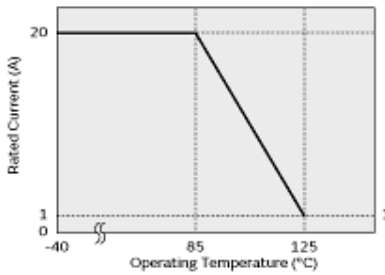
## Product Data



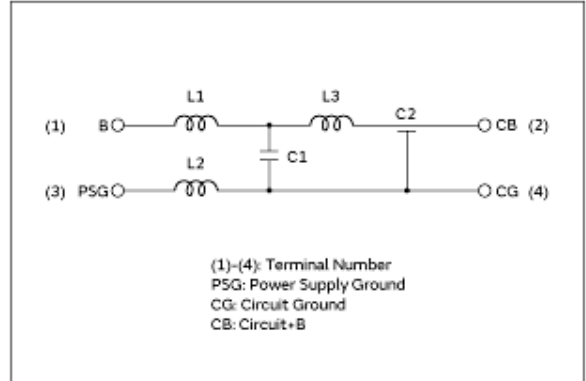
Insertion Loss Characteristics

In operating temperature exceeding +85°C, derating of current is necessary for BNX024H/025H/026H/027H series. Please apply the derating curve shown in chart according to the operating temperature.

Derating of Rated Current



Derating of Rated Current



Equivalent Circuit

**Attention**

- 1.This datasheet is downloaded from the website of Murata Manufacturing Co., Ltd. Therefore, it's specifications are subject to change or our products in it may be discontinued without advance notice. Please check with our sales representatives or product engineers before ordering.
- 2.This datasheet has only typical specifications because there is no space for detailed specifications. Therefore, please review our product specifications or consult the approval sheet for product specifications before ordering.