

Mercury Free Alkaline manganese batteries

LR41 (192)



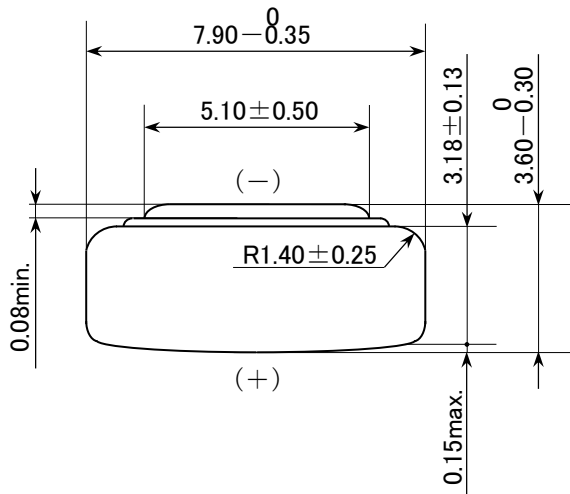
Specifications

Average Service Capacity(to 0.9 volts) (Rated capacity at 15k ohms at 23°C)	45 mAh
Terminals	Flat contacts
Average weight	0.57 g

Characteristics

Minimum OCV	1.50 volts
Minimum -10°C CCV (200 ohms / 5 seconds)	1.00 volts
Minimum Capacity (15k ohms to 0.9 volts)	40.5 mAh

Dimension



Discharge curve

