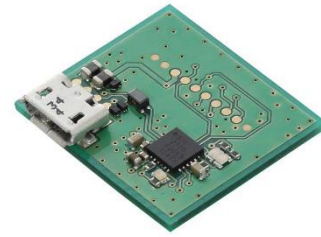


UART/USB Interface board Data sheet for UHF RFID Reader/Writer module LXRFZZUBBA-042



1. General Descriptions

LXRFZZUAAA-042 is an interface board for UHF RFID reader writer module, LXRFZZUAAA-027/030/032.



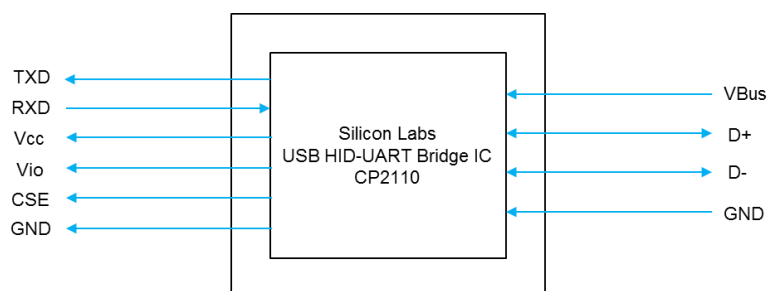
[Features]

- Signal conversion : UART – USB(HID)
- 100% green material for RoHS compliance
- Related product name

	EU	JP	US/Canada
Evaluation Kit*	LXRFZZUAAA-029-KIT	LXRFZZUAAA-031-KIT	LXRFZZUAAA-033-KIT
Reader writer	LXRFZZUAAA-027	LXRFZZUAAA-030	LXRFZZUAAA-032
Short Range Antenna	LXRFZZUCCA-037	LXRFZZUCCA-036	LXRFZZUCCA-036
Long Range Antenna	LXRFZZUCCA-035	LXRFZZUCCA-034	LXRFZZUCCA-034
Interface Board	LXRFZZUBBA-042		

*A reader writer, a short range antenna, a long range antenna, an interface board, cables are included in Evaluation Kit.

2. Block Diagram



All Rights Reserved, Copyright© Murata Manufacturing Co., Ltd.

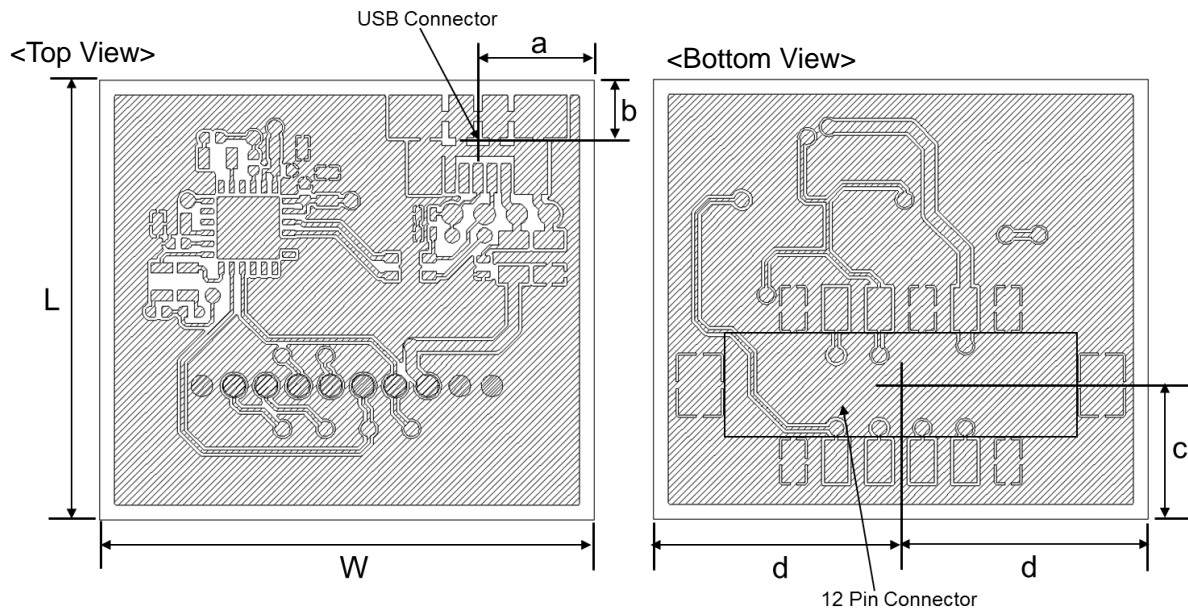
< Specification is subject to change without notice >

**UART/USB Interface board Data sheet
for UHF RFID Reader/Writer module
LXRFZZUBBA-042**



3. Mechanical Information

3-1. Dimensions



Mark	Size	Mark	Size	Mark	Size
L	25.0 +/- 0.3	c	6.25 +0.15 / -0.10	t1	1.00 +0.20 / -0.10
W	23.0 +/- 0.3	d	11.50 +0.15 / -0.10	t2	3.695 +0.45 / -0.35
a	5.40 +0.15 / -0.10			t3	6.95 +0.40 / -0.30
b	2.65 +0.15 / -0.10				

All Rights Reserved, Copyright© Murata Manufacturing Co., Ltd.

< Specification is subject to change without notice >

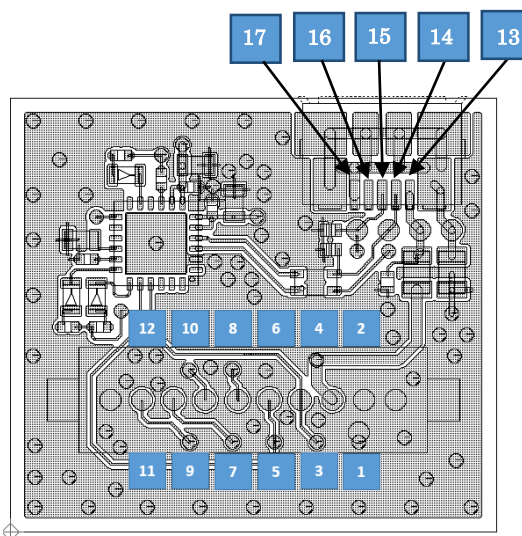
UART/USB Interface board Data sheet for UHF RFID Reader/Writer module LXRFZZUBBA-042



3-2. Pin description

<Top View>

USB コネクタタイプ : Micro USB Type B Receptacle



Pin No.	Pin Name.	Type	Description
1	VSS	Supply Pad	GND reference
2	VSS	Supply Pad	GND reference
3	RXD	Digital I/O	UART RXD
4	VCC	Supply Pad	DC5V Output
5	TXD	Digital I/O	UART TXD
6	VSS	Supply Pad	GND reference
7	NC	NC	Not Connect
8	VIO	Supply Pad	I/O Volatage Output
9	CSE	Digital I/O	Chip Select Enable Output
10	NC	NC	Not Connect
11	VSS	Supply Pad	GND reference
12	VSS	Supply Pad	GND reference
13	VBUS	SupplyPad	USB Bus Power
14	D-	Digital I/O	USB D-
15	D+	Digital I/O	USB D+
16	NC	NC	Not Connect
17	VSS	SupplyPad	GND reference

※ 12 pin Connector : Hirose DF11CZ-12DS-2V (22).

microB USB Connector : Molex 47346-0001

Counterpart connector :Hirose DF11 Series Receptacle 12pin. ,Hirose DF11CZ012DP-2V etc.

All Rights Reserved, Copyright© Murata Manufacturing Co., Ltd.

< Specification is subject to change without notice >

UART/USB Interface board Data sheet for UHF RFID Reader/Writer module LXRFZZUBBA-042



4. Characteristics

4-1. Basic configuration

LXRFZZUBBA-042 uses CP2110 (Silicon Labs).

Please refer the CP2110 data sheet for a functional description.

4-2. Ratings

4-2-1. Limiting values

parameter	Symbol	Limiting values		Unit
		Min	Max	
Power Supply Voltage	V_{IN}	-0.3	5.8	V
Storage temperature	T_{STG}	-40	+85	°C

4-2-2. Operation condition

Parameter	Symbol	Min	Typ	Max	Unit
Power Supply Voltage	V_{IN}	4.75	5	5.25	V
Ambient Temperature	T_{amb}	-25	25	+85	°C

4-3. Electrical Characteristics

Without notice; Ambient Temperature ($T_{amb} = +25^{\circ}C$), Operational voltage ranges.

	Parameter	Symbol	Conditions	Min	Typ	Max.	Unit	Remarks
1	Consumption Current	I				40	mA	

5. Packaging

5-1 Quantities per 1 tray

10pcs / Tray

5-2 Quantities per 1 carton

10pcs / Carton

5-3 Minimum order quantity

10pcs

All Rights Reserved, Copyright© Murata Manufacturing Co., Ltd.

< Specification is subject to change without notice >

UART/USB Interface board Data sheet for UHF RFID Reader/Writer module LXRFZZUBBA-042



6. Contact window

URL: <http://www.murata.com/products/rfid>

Email: magicstrap@murata.com

For any inquiries/queries, please feel free to contact us.

NOTICE

1. Storage Conditions:

To avoid damaging, be sure to observe the following points.

- Store products where the ambient temperature is 15 to 35 °C and humidity 45 to 75% RH.
(Packing materials, In particular, may be deformed at the temperature over 40 °C.).
- Store products in non corrosive gas (Cl₂, NH₃, SO₂, No_x, etc.).
- Stored products should be used within 6 months of receipt.

2. Handling Conditions:

Be careful in handling or transporting products because excessive stress or mechanical shock may break products.



Note:

Please make sure that your product has been evaluated and confirmed against your specifications when our product is applied to your product.

All the items and parameters in this product specification have been prescribed on the premise that our product is used for the purpose, under the condition and in the environment agreed upon between you and us. You are requested not to use our product deviating from such agreement.

All Rights Reserved, Copyright© Murata Manufacturing Co., Ltd.

< Specification is subject to change without notice >