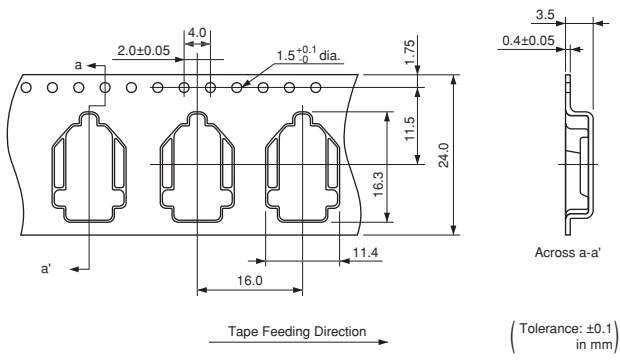


# Packaging

## ■ Taping Dimensions



## ■ Reel Dimensions

