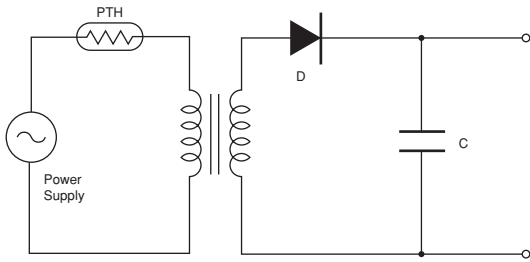
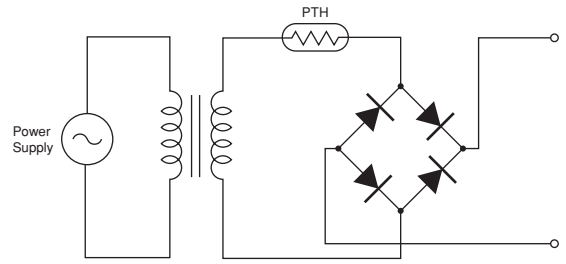


Application Circuit

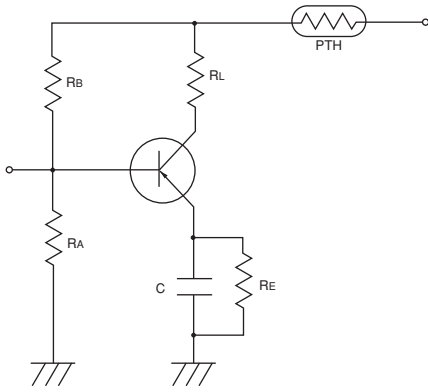
■ (1) Transformer Protection Circuit 1)



■ (2) Transformer Protection Circuit 2)



■ (3) Transistor Protection Circuit



■ (4) Fluorescent Lamp Protection Circuit

